

Series 970 PowerTrip™ Connectors and Accessories
Cable Connectors
970-005 Cable Receptacle



970-005 CABLE RECEPTACLES



These connectors, often called “in-line”, “line” or “free-hanging” receptacles, are installed on cables for cord-to-cord applications. These connectors feature high ampacity LouverBand contacts. Coupling threads are triple-start ACME type. EMI protected with ground spring and splined backshell interface. Standard contacts are silver plated high conductivity copper alloy, or choose gold-plated contacts for improved corrosion protection. Fluorosilicone rubber gaskets and grommets provide watertight sealing. Unassembled contacts are packaged with connector.

- EMI Protected
- High Ampacity Contacts
- Splined Backshell Interface

PRODUCT FACTS	
2000 VAC Sea Level DWV Rating	
-65°C to +200°C Operating Temperature	
6 Feet Water Immersion, 48 Hours	
65 dB min. Attenuation, up to 10GHz	
2000 Cycles Mating Durability	
MIL-S 901 Grade A High-Impact Shock	
43 g Random Vibration	

HOW TO ORDER

SERIES	SHELL MATL AND FINISH	SHELL SIZE - INSERT ARRANGEMENT					CONTACT TYPE AND PLATING	KEY POSITION	
		Contact Arr.	Contact Size and Qty						
		#16	#12	#8	#4	#1/0			
970-005 Cable Receptacle	ME Aluminum, Electroless Nickel Finish			2			P1 Pin Contacts, Silver Plating*	-1 Position 1	
		18-2							
	MT Aluminum, Nickel-PTFE Finish	18-4	2	2			P2 Pin Contacts, Gold Plating	-2 Position 2	
		20-3			3				
		20-4			4				
		20-5	2	3					
	NF Aluminum, Olive Drab Cadmium	20-7	4		3		S1 Socket Contacts, Silver Plating*	-3 Position 3	
		24-2				2			
	ZR Aluminum, Black Zinc-Nickel Finish	24-3				3	S2 Socket Contacts, Gold Plating	-4 Position 4	
		24-5			5				
		24-6		4		2			
	Z1 Passivated Stainless Steel	24-A6		3		3	A Pin Connector, without Contacts	-5 Position 5	
		28-4				4			
		28-9	5			4			
		32-2							2
		32-3							3
32-4					2	2			
32-5					5				
32-6			3			3			
36-4					4				
40-5					5	B Socket Connector, without Contacts	-6 Position 6		
Sample Part Number									
970-005	MT	24-5					P1	-1	

* Size 12 and 16 contacts are gold-plated. Size 8, 4 and 1/0 are silver plated.

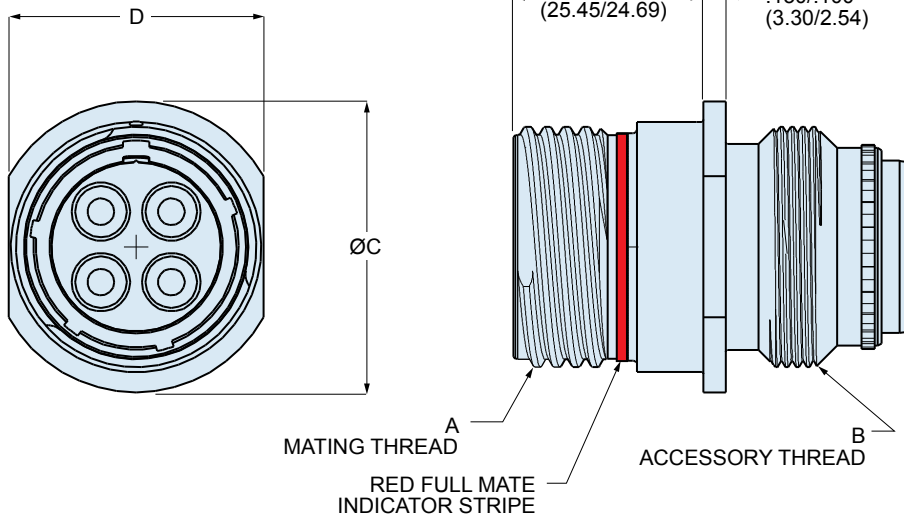
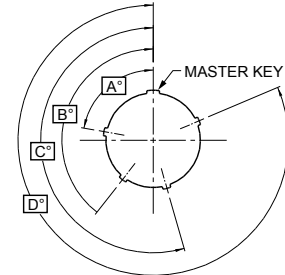
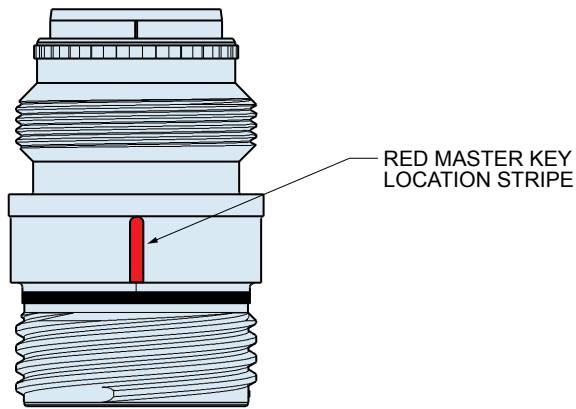


Series 970 PowerTrip™ Connectors and Accessories

Cable Connectors

970-005 Cable Receptacle

970-005 CABLE RECEPTACLE CONNECTOR



KEY POSITIONS

Position	A°	B°	C°	D°
1	80	142	196	293
2	135	170	200	310
3	49	169	200	244
4	66	140	200	257
5	62	145	180	280
6	79	153	197	272

DIMENSIONS

Shell Size	A Mating Thread	B Accessory Thd	C		D	
			In. ±.010	mm. ±0.25	In. ±.005	mm. ±0.13
18	1.125-.1P-.3L-TS-2A	1.125-18 UNEF-2A	1.328	33.73	1.138	28.91
20	1.250-.1P-.3L-TS-2A	1.250-18 UNEF-2A	1.515	38.48	1.325	33.66
24	1.500-.1P-.3L-TS-2A	1.4375-18 UNEF-2A	1.703	43.26	1.513	38.43
28	1.750-.1P-.3L-TS-2A	1.8125-16 UN-2A	2.078	52.02	1.888	47.96
32	2.000-.1P-.3L-TS-2A	2.0625-16 UNS-2A	2.265	57.53	2.075	52.71
36	2.250-.1P-.3L-TS-2A	2.250-16 UN-2A	2.515	63.89	2.325	55.06
40	2.500-.1P-.3L-TS-2A	2.500-16 UN-2A	2.765	70.23	2.575	65.41