



Series 970 PowerTrip™ Connectors and Accessories

Receptacle Connectors

970-012 Hermetic

970-012 HERMETIC RECEPTACLES



Series 970 PowerTrip™ hermetic receptacles feature 316L stainless steel shells and compression glass insulators. Solder cup contacts are nickel-iron alloy and are non-removable. Coupling threads are triple-start ACME type. Contacts are silver plated high conductivity copper alloy, or choose gold-plated contacts. Fluorosilicone rubber face seal on pin connector. Stainless steel shells are passivated, or choose nickel plating for improved shell-to-shell conductivity and EMI protection. Hermeticity is 1×10^{-7} cc/sec maximum helium leak rate with one atmosphere pressure differential.

- **Compression Glass Seal**
- **1×10^{-7} cc/sec He leak rate**
- **Both Pin and Socket Versions**
- **Stainless Steel Shell**

PRODUCT FACTS
2000 VAC Sea Level DWV Rating
-65°C to +200°C Operating Temperature
6 Feet Water Immersion, 48 Hours
65 dB min. Attenuation, up to 10GHz
2000 Cycles Mating Durability
MIL-S 901 Grade A High-Impact Shock
43 g Random Vibration

HOW TO ORDER

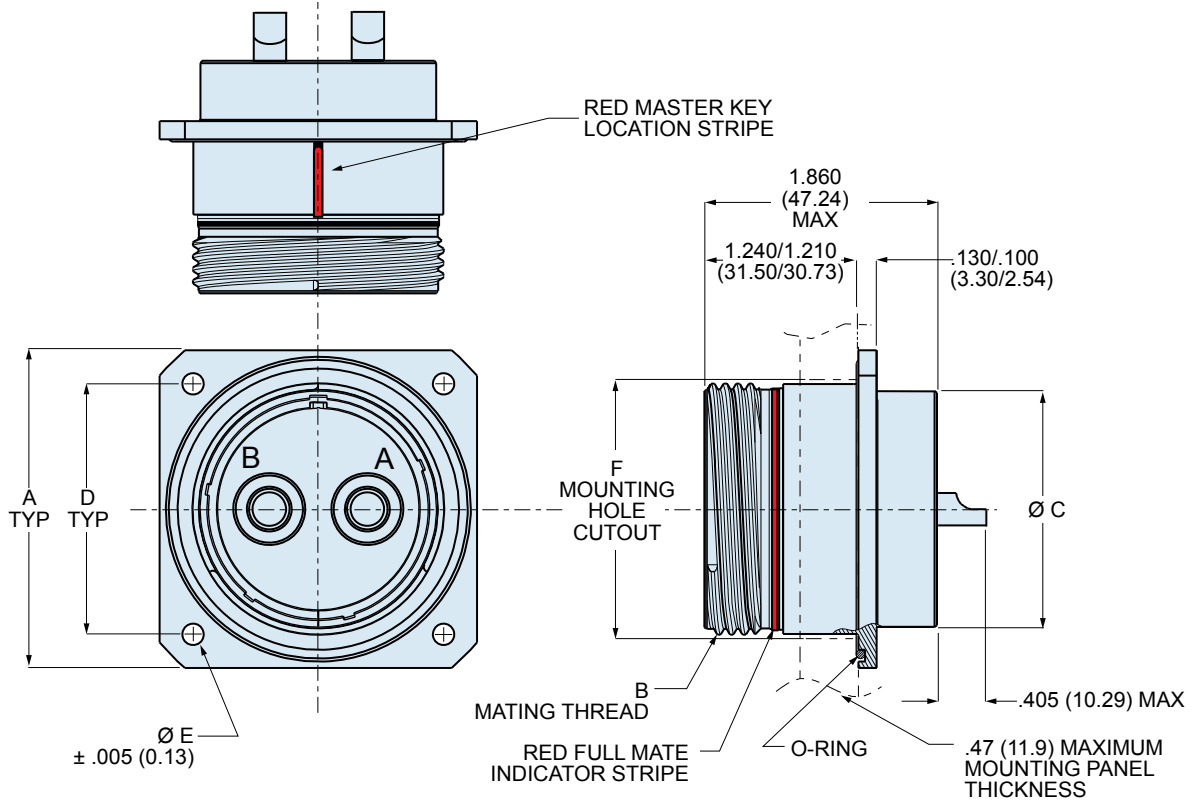
SERIES	SHELL MATL AND FINISH	SHELL SIZE - INSERT ARRANGEMENT	CONTACT TYPE AND PLATING	MOUNTING HOLE OPTION	KEY POSITION					
970-012 Hermetic Square Flange Panel Mount Receptacle	Z1 Passivated Stainless Steel	Contact Arr.		P1 Pin Contacts, Silver Plating	N Thru-Hole	-1 Position 1				
		Contact Size and Qty								
		18-2					2			-2 Position 2
		18-4	2				2			
		20-3					3			
		20-4					4			
		20-5	2				3			
		20-7	4				3			
		24-2						2		
		24-3						3		
	24-5		5							
	24-6	4		2						
	24-A6	3		3						
	28-4			4						
	28-9	5		4						
	32-2				2					
	32-3				3					
	32-4			2	2					
	32-5			5						
	32-6	3			3					
36-4				4						
40-5				5						
Sample Part Number										
970-012	Z1	20-4	P1	N	-1					

D

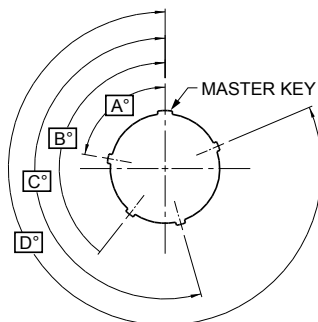
Series 970 PowerTrip™ Connectors and Accessories
 Receptacle Connectors
 970-012 Hermetic



970-012 HERMETIC RECEPTACLE



DIMENSIONS											
Shell Size	A		B Mating Thread	C		D		ø E		ø F	
	In.	mm.		In.	mm.	In.	mm.	In.	mm.	In.	mm.
18	1.383	35.13	1.125-.1P-.3L-TS-2A	.972	24.69	1.015	25.78	.146	3.71	1.187	30.15
20	1.508	38.30	1.250-.1P-.3L-TS-2A	1.116	28.35	1.140	28.96	.146	3.71	1.374	34.90
24	1.718	43.64	1.500-.1P-.3L-TS-2A	1.300	33.02	1.281	32.54	.146	3.71	1.562	39.67
28	2.138	54.31	1.750-.1P-.3L-TS-2A	1.604	40.74	1.568	39.83	.170	4.32	1.874	47.60
32	2.328	59.13	2.000-.1P-.3L-TS-2A	1.875	47.63	1.734	44.04	.170	4.32	2.062	52.37
36	2.578	65.48	2.250-.1P-.3L-TS-2A	2.093	53.16	1.984	50.39	.170	4.32	2.302	58.47
40	2.828	71.83	2.500-.1P-.3L-TS-2A	2.310	58.67	2.234	56.74	.170	4.32	2.562	65.07



KEY POSITIONS				
Position	A°	B°	C°	D°
1	80	142	196	293
2	135	170	200	310
3	49	169	200	244
4	66	140	200	257
5	62	145	180	280
6	79	153	197	272