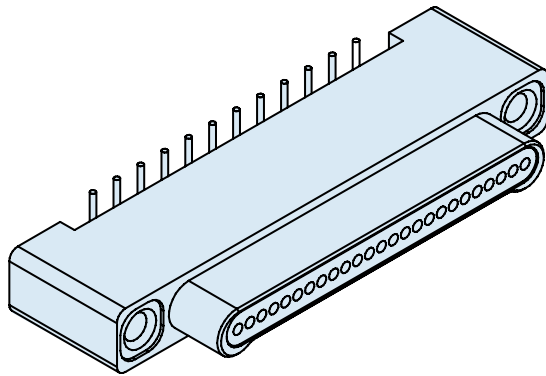


890-010 and 890-011
Vertical Mount PCB, Single Row Nano Connector
Surface Mount Type



Vertical SMT PCB Nano Connectors feature gold alloy TwistPin contacts. These nanominiature connectors offer premium performance and reliability for demanding applications. Available with #0-80 female threads.

Pre-Tinned PC Tails are coated with Sn63Pb37 tin-lead for excellent solderability.

Choose Aluminum, Titanium or Stainless Steel Shells in eight layouts from 5 to 51 contacts. Complies to the requirements of MIL-DTL-32139. These connectors are intermateable with any corresponding Glenair Series 890 single row metal shell nanominiature connector.

How To Order Vertical SMT PCB Connectors

Sample Part Number	890-010	-37P	A1	-BSS	T
Series	890-010 Plug, Pin Contacts, Single Row, Vertical SMT Nanominiature 890-011 Receptacle, Socket Contacts, Single Row, Vertical SMT Nanominiature				
Insert Arrangement/ Contact Type	Plugs (890-010): 5P, 9P, 15P, 21P, 25P, 31P, 37P, 51P Receptacles (890-011): 5S, 9S, 15S, 21S, 25S, 31S, 37S, 51S				
Shell Material and Finish	A1 - Aluminum Shell, Cadmium Plating A2 - Aluminum Shell, Electroless Nickel Plating		T - Titanium Shell, Unplated S - Stainless Steel Shell, Passivated		
Termination Type	BSS - Board Straight Surface Mount				
Hardware	T - Female Thread, #0-80				

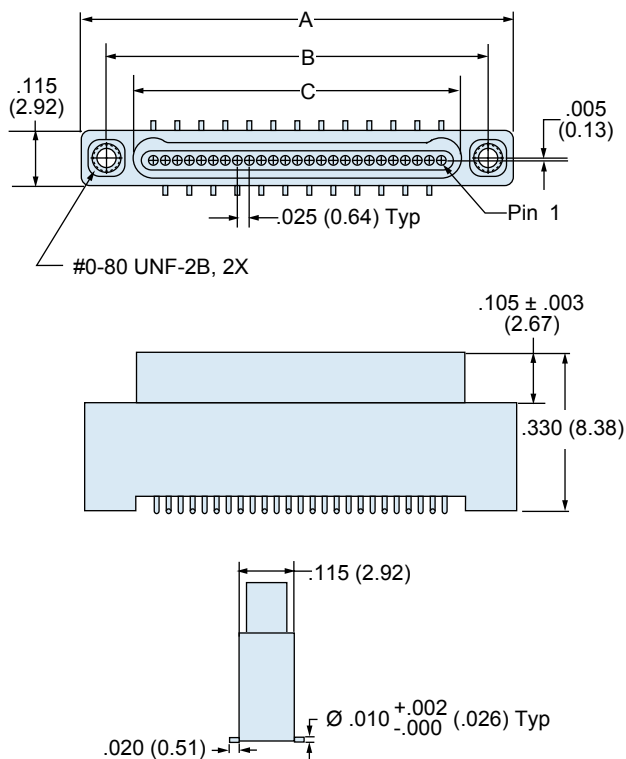
Dimensions in inches (millimeters) and are subject to change without notice.



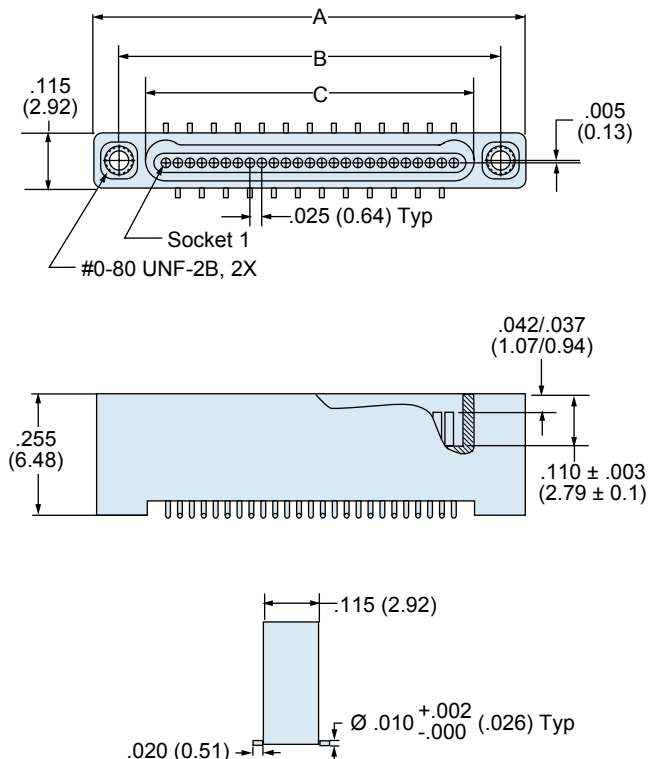
890-010 and 890-011 Vertical Mount PCB, Single Row Nano Connector Surface Mount Type

Single Row Nano Vertical SMT Dimensions

890-010 Plug (Pin) Connectors



890-011 Receptacle (Socket) Connectors



Layout	A		B BSC.		C BSC.	
	In. ± .005	mm. ± 0.13	In.	mm.	In.	mm.
5P	.400	10.16	.295	7.49	.184	4.67
5S	.400	10.16	.295	7.49	.185	4.70
9P	.500	12.70	.395	10.03	.284	7.21
9S	.500	12.70	.395	10.03	.285	7.24
15P	.650	16.51	.545	13.84	.434	11.02
15S	.650	16.51	.545	13.84	.435	11.05
21P	.800	20.32	.695	17.65	.584	14.83
21S	.800	20.32	.695	17.65	.585	14.86
25P	.900	22.86	.795	20.19	.684	17.37
25S	.900	22.86	.795	20.19	.685	17.40
31P	1.050	26.67	.945	24.00	.834	21.18
31S	1.050	26.67	.945	24.00	.835	21.21
37P	1.200	30.48	1.095	27.81	.984	24.99
37S	1.200	30.48	1.095	27.81	.985	24.02
51P	1.550	39.37	1.445	36.70	1.334	33.88
51S	1.550	39.37	1.445	36.70	1.335	33.91

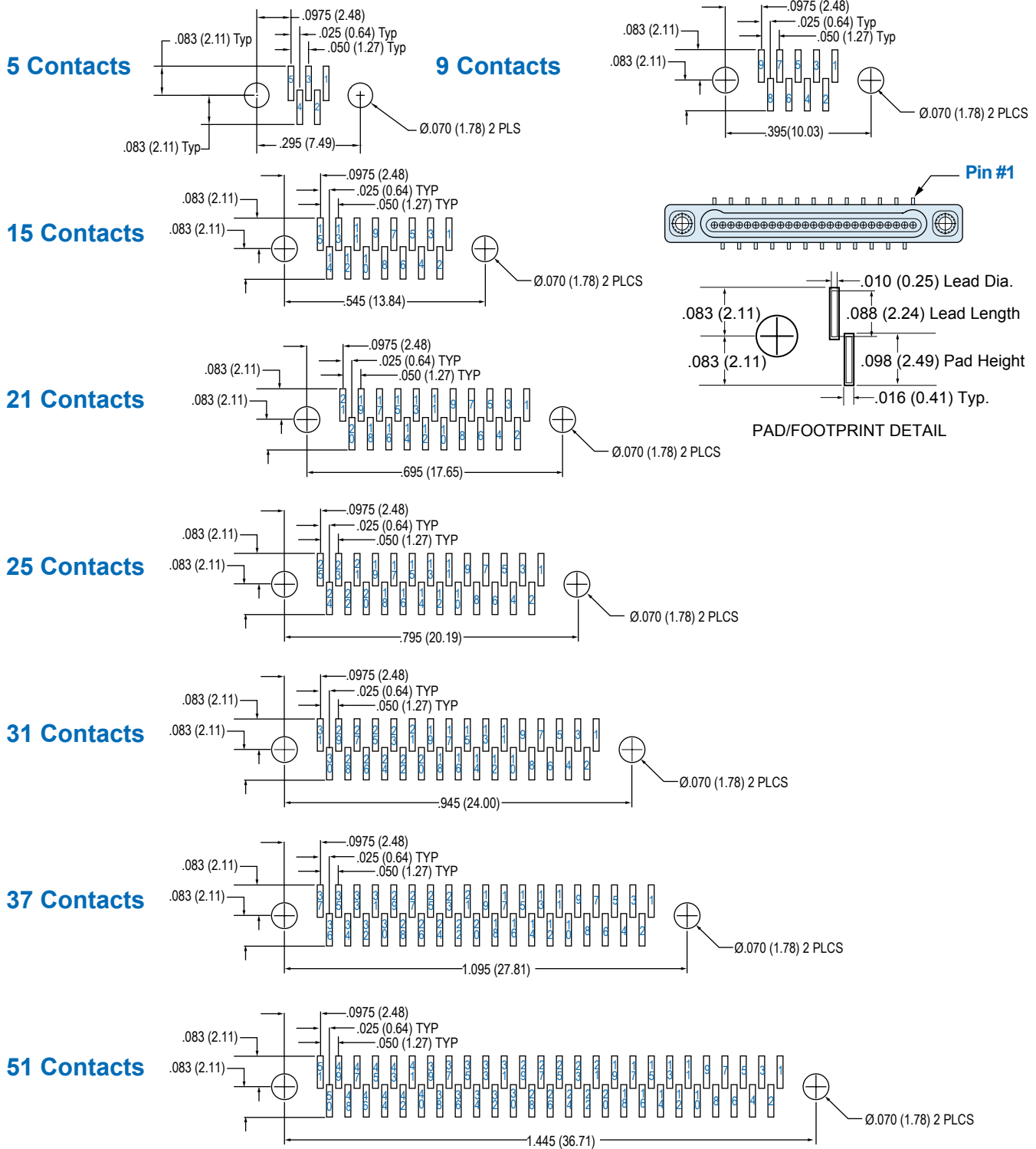
Dimensions in inches (millimeters) and are subject to change without notice.

890-010 and 890-011 Vertical Mount PCB, Single Row Nano Connector Surface Mount Type



Single Row
Connectors

Vertical SMT Plug (Pin) Connector Layout 890-010

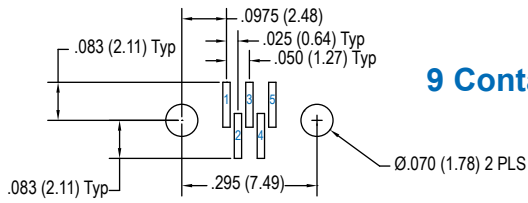


Layouts shown are for connector mounting side of PC Board.

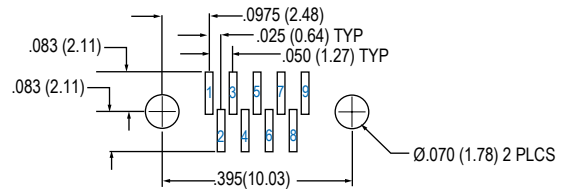


Vertical SMT Receptacle (Socket) Connector Layout 890-011

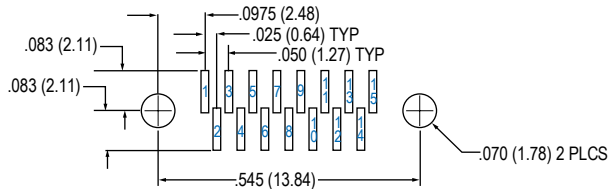
5 Contacts



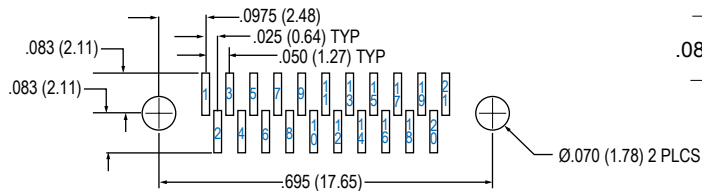
9 Contacts



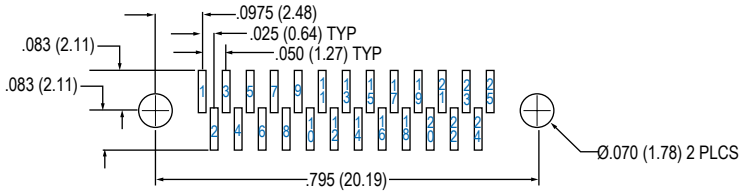
15 Contacts



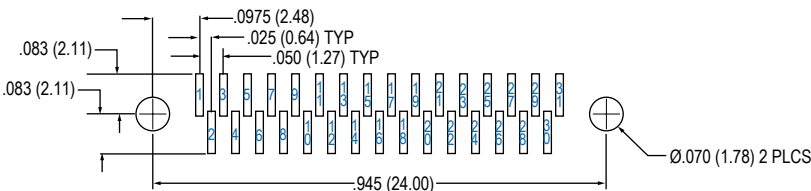
21 Contacts



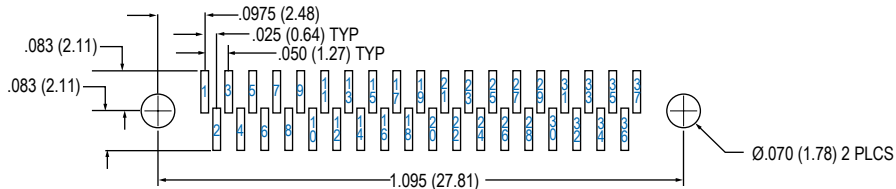
25 Contacts



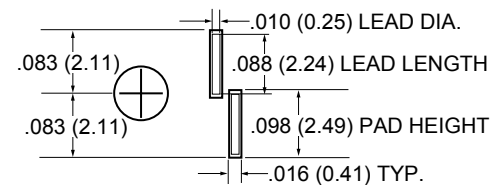
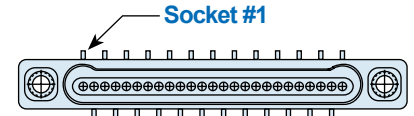
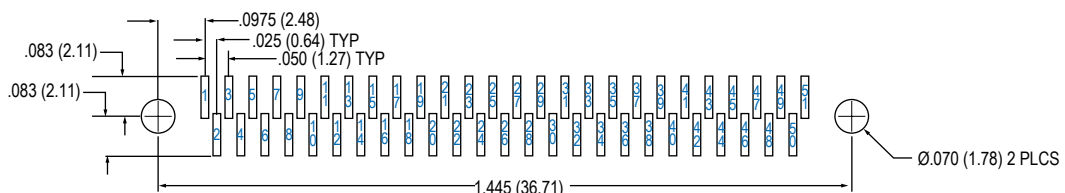
31 Contacts



37 Contacts



51 Contacts



PAD/FOOTPRINT DETAIL

Layouts shown are for connector mounting side of PC Board.