



Series 80 Miniature Connectors with Size #12 Ultra-Twinax Contacts Series 801 Plugs

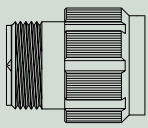
SERIES 801 PLUG CONNECTORS WITH SIZE #12 CONTACTS



New Mighty Mouse contact arrangements accept size #12 Ultra-Twinax contacts for multi-gigabit data rate applications. Series 801 Mighty Mouse plugs feature damage-resistant double-start ACME mating threads. Available with anti-decoupling feature or vibration-resistant ratchet mechanism, these plugs are supplied with #12 Ultra-Twinax contacts (contact types UXP or UXS). Or, specify contact types UXA or UXB for connectors supplied less contacts for use with twinax contacts purchased separately. Connector shells are aluminum or stainless steel, with thermoplastic insulators and fluorosilicone rubber seals.

How To Order

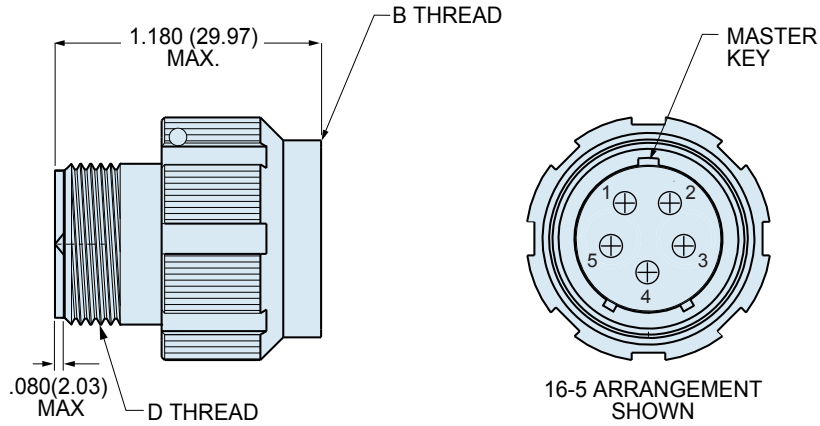
Sample Part Number

801-008	-16	M	7-1	UXP	A	-688
Series	Shell Style	Shell Material / Finish	Shell Size- Insert Arrangement	Contact Type	Shell Key Position	Mod Code
 <p>801-008 Plug Connector with Rear Accessory Thread</p>	-16 Plug with Anti- Decoupling Spring	M Aluminum / Electroless Nickel RoHS Compliant	7-1	Connector supplied with size #12 Ultra- Twinax contacts	A Normal	Connector insulators supplied with keyways for use with keyed contacts
	-26 Self-Locking Plug with Ratchet Mechanism (the "Clicker")	NF Aluminum / Cadmium with Olive Drab Chromate	10-2	UXP With #12 Ultra- Twinax Pin contacts	Alternate Key Positions:	
		ZR Aluminum / Zinc-Nickel with Non-Reflective Black Chromate RoHS Compliant	16-5	UXS With #12 Ultra- Twinax Socket contacts	B	
		MT Aluminum / Nickel-PTFE RoHS Compliant	17-7	Connector supplied without contacts. (Order twinax contacts separately.)	C	
		Z1 Stainless Steel / Passivated RoHS Compliant	21-12	UXA Pin connector, less contacts	D	
			10-201	UXB Socket connector, less contacts	E	
			10-200		F	

Series 80 Miniature Connectors
with Size #12 Ultra-Twinax Contacts
Series 801 Plugs



SERIES 801 PLUG CONNECTORS WITH SIZE #12 CONTACTS



Accessory Thread
801-008

Dimensions						
Shell Size	Style 16 ØA		Style 26 ØA		B Thread	D Thread UNEF-2A
	In.	mm.	In.	mm.		
7	.690	17.53	.790	20.07	.4375-.05P-.1L-DS-2B	.4375-28
10	.880	22.35	.980	24.89	.6250-.05P-.1L-DS-2B	.6250-24
16	1.240	31.50	1.340	34.04	1.000-.1P-.2L-DS-2B	.9375-20
17	1.300	33.02	1.450	36.83	1.0625-.1P-.2L-DS-2B	.9375-20
21	1.550	39.07	1.650	41.91	1.3125-.1P-.2L-DS-2B	1.1875-18

Plug Key Positions		
Position	A°	B°
A	150°	210°
B	75°	210°
C	95°	230°
D	140°	275°
E	75°	275°
F	95°	210°