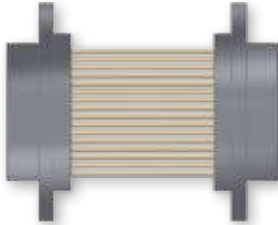


# Low Profile Metal and Plastic Shell Micro-D MWDL Plastic Shell Back-To-Back Cables



Micro-D  
Double and  
Triple Row

## Low Profile MWDL Plastic Shell Micro-D Back-To-Back Cables

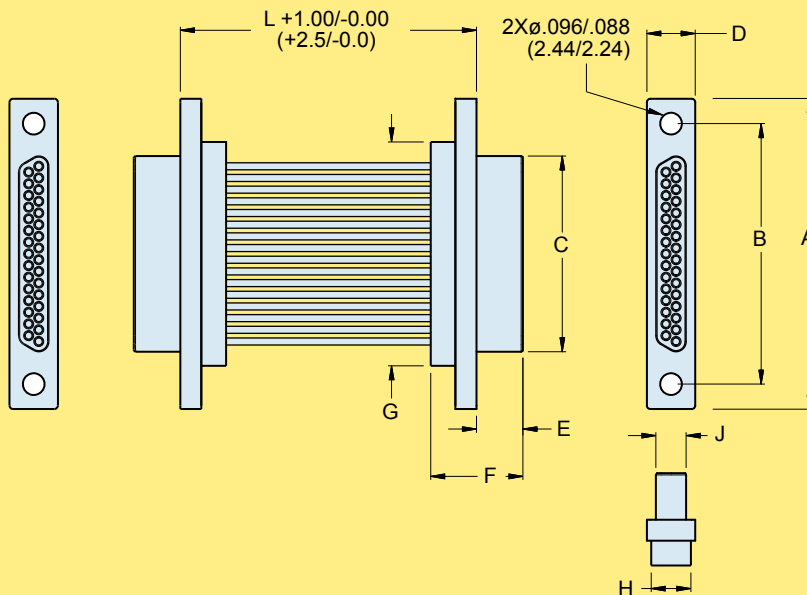


Factory terminated all-plastic "back-to-back" jumper cables simplify ordering and reduce assembly labor. Contacts are crimped to wire and potted with epoxy. Pin contacts are gold-plated high performance TwistPin type and are recessed into insulator to prevent damage. Socket contacts are gold plated, machined copper alloy. Glass-filled high temperature LCP thermoplastic connector body. M22759/11 standard wire, or M22959/33 lightweight, high strength space grade wire. Meets performance requirements of MIL-DTL-83513. Available with 9 to 51 contacts. 3 A., 600 Vac, -55°C to +150°C.

HOW TO ORDER							
Sample Part Number							
MWDL	-37	GP	-6	K	1	-24	P
Series	No. of Contacts	Connector Type	Wire Gage (AWG)	Wire Type	Wire Color Code	Wire Length (Inches)	Mounting Hardware
<b>MWDL</b> Low Profile Plastic Shell Micro-D	<b>-9</b>	<b>GP</b> Pin Connector Both Ends	<b>-4</b>	<b>K</b> Standard Wire	<b>1</b> White	Wire Length In Inches	<b>B</b> <b>M</b> <b>M1</b> <b>S</b> <b>S1</b> <b>P</b>  See Mounting Hardware Table Below
	<b>-15</b>		<b>-6</b>				
	<b>-21</b>	<b>GS</b> Socket Contacts Both Ends	<b>-6</b>	Extruded PTFE per M22759/11, Silver-Plated Conductors (#30 AWG not available)	<b>5</b> Color-Coded per MIL-STD-681	Example: <b>-18</b> 18 inches	
	<b>-25</b>		<b>-8</b>				
	<b>-31</b>		<b>-8</b>				
<b>-37</b>	<b>CS</b> Pin Connector to Socket Connector	<b>-0</b>	<b>J</b> Space Grade Wire	<b>7</b> 10 Color Repeat Wires are solid color per MIL-STD-681 color code system. Wires #1, #11, #21 are black, wires #2, #12, #22 are brown, and so on.	6, 12 and 18 are frequently used lengths.		
<b>-51</b>		<b>-0</b>					

MOUNTING HARDWARE					
B	P	M	M1	S	S1
Thru-Hole	Jackpost #2-56	Hex Head Jackscrew #2-56	Hex Head Jackscrew, Extended #2-56	Slot Head Jackscrew #2-56	Slot Head Jackscrew, Extended #2-56

MWDL BACK-TO-BACK CABLE DIMENSIONS



Layout	A Max.		B		C Max.		D Max.		E Max.		F Max.		G Max.		H Max.		J Max.	
	In.	mm.	In. $\pm .003$	mm. $\pm 0.08$	In.	mm.	In.	mm.	In.	mm.	In.	mm.	In.	mm.	In.	mm.	In.	mm.
9P	.788	20.02	.565	14.35	.292	7.42	.218	5.54	.202	5.13	.395	10.03	.408	10.36	.173	4.39	.134	3.40
9S	.788	20.02	.565	14.35	.380	9.65	.218	5.54	.185	4.70	.375	9.53	.408	10.36	.173	4.39	.218	5.54
15P	.938	23.83	.715	18.16	.442	11.23	.218	5.54	.202	5.13	.395	10.03	.558	14.17	.173	4.39	.134	3.40
15S	.938	23.83	.715	18.16	.530	13.46	.218	5.54	.185	4.70	.375	9.53	.558	14.17	.173	4.39	.218	5.54
21P	1.088	27.64	.865	21.97	.592	15.04	.218	5.54	.202	5.13	.395	10.03	.708	17.98	.173	4.39	.134	3.40
21S	1.080	27.64	.865	21.97	.680	17.27	.218	5.54	.185	4.70	.375	9.53	.708	17.98	.173	4.39	.218	5.54
25P	1.188	30.18	.965	24.51	.692	17.58	.218	5.54	.202	5.13	.395	10.03	.808	20.52	.173	4.39	.134	3.40
25S	1.185	30.18	.965	24.51	.780	19.81	.218	5.54	.185	4.70	.375	9.53	.808	20.52	.173	4.39	.218	5.54
31P	1.338	33.99	1.115	28.32	.842	21.39	.218	5.54	.202	5.13	.395	10.03	.958	24.33	.173	4.39	.134	3.40
31S	1.338	33.99	1.115	28.32	.930	23.62	.218	5.54	.185	4.70	.375	9.53	.958	24.33	.173	4.39	.218	5.54
37P	1.488	37.80	1.265	32.13	.992	25.20	.218	5.54	.202	5.13	.395	10.03	1.108	28.14	.173	4.39	.134	3.40
37S	1.488	37.80	1.265	32.13	1.080	27.43	.218	5.54	.185	4.70	.375	9.53	1.108	28.14	.173	4.39	.218	5.54
51P	1.438	36.53	1.215	30.86	.942	23.93	.260	6.60	.202	5.13	.395	10.03	1.058	26.87	.220	5.59	.177	4.50
51S	1.438	36.53	1.215	30.86	1.030	26.16	.260	6.60	.185	4.70	.375	9.53	1.058	26.87	.220	5.59	.260	6.60

PERFORMANCE SPECIFICATIONS

Current Rating	3 AMP
DWV	600 VAC Sea level
Insulation Resistance	5000 Megohms Minimum
Contact Resistance	8 Milliohms Maximum
Operating Temperature	-55° C. to +150° C.
Shock, Vibration	50 g., 20g.
Mating Force	(10 Ounces) X (# of Contacts)

MATERIALS AND FINISHES

Connector Body	Liquid Crystal Polymer (LCP), Glass-filled
Pin Contact	Beryllium Copper, Gold over Nickel Plating
Socket Contact	Copper Alloy, Gold Over Nickel Plating
Hardware	300 Series Stainless Steel
Encapsulant	Epoxy