

# EMI/RFI Elliptical Split Shell Banding Backshell

507-178



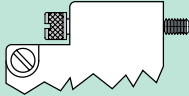
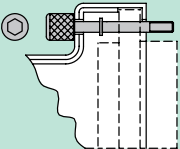

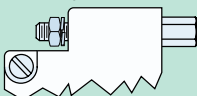
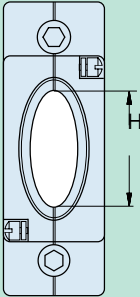
Micro-D  
Backshells



**Split Backshell With Elliptical Cable Entry** provides added room for larger wire bundles. Terminate cable shields with **BAND-IT®** microbands. This backshell features floating male screwlocks which allow full mating of the connector before the screws are fastened.

**Rugged Aluminum** housing with stainless steel hardware, available in standard nickel plating, or choose optional finishes.

## HOW TO ORDER 507-178 EMI BACKSHELLS

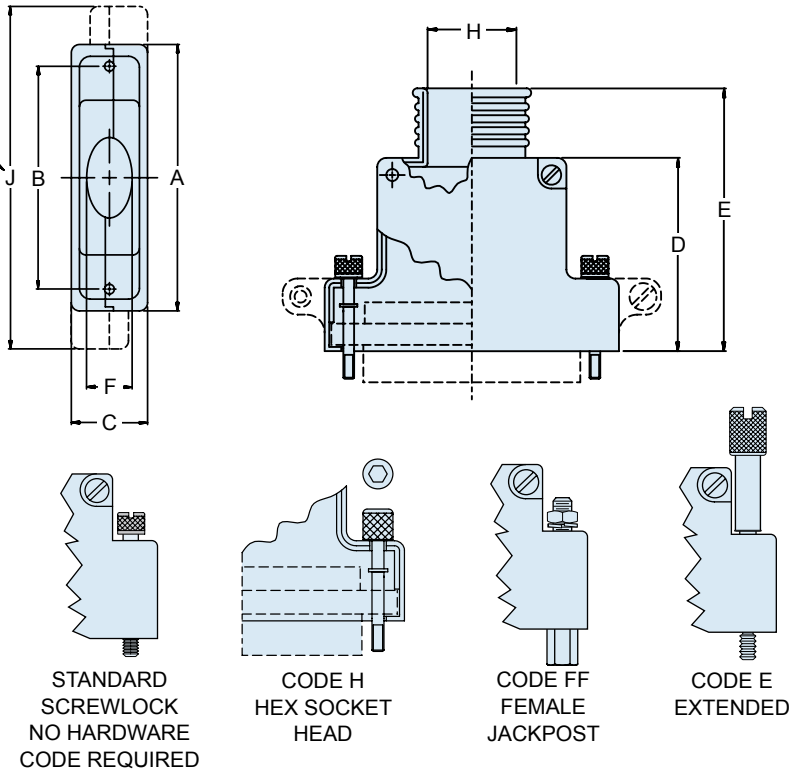
Series	Shell Finish	Connector Size	Cable Entry Code	EMI Band Strap Option	Hardware Option					
507-178	<b>E</b> – Chem Film (Alodyne) <b>J</b> – Cadmium, Yellow Chromate <b>M</b> – Electroless Nickel <b>NF</b> – Cadmium, Olive Drab <b>Z2</b> – Gold	<b>09</b> <b>15</b> <b>21</b> <b>25</b> <b>31</b> <b>37</b> <b>51</b> <b>51-2</b> <b>67</b> <b>69</b> <b>100</b>	<b>H</b> In. mm. Available on Code ± .010 ± 0.25 Shell Size	<b>OMIT</b> - Band Strap Not Supplied  <b>B</b> – Microband Supplied (600-057)  <b>K</b> – Coiled Microband Supplied (600-057-1)	Omit for Standard Slot Head Male Screwlock   <b>H</b> – Hex Socket Head Screwlock   <b>E</b> – Extended Screwlock   <b>FF</b> – Jackpost, Female  					
			<b>04</b> .250 6.35 09, 15, 21							
			<b>05</b> .312 7.92 15 Thru 31							
			<b>06</b> .375 9.53 21 Thru 51							
			<b>07</b> .437 11.10 25 Thru 51							
			<b>08</b> .500 12.70 25 Thru 51							
			<b>09</b> .562 14.27 31 Thru 100							
			<b>10</b> .625 15.88 31 Thru 100							
			<b>11</b> .688 17.48 37 Thru 100							
			<b>12</b> .750 19.05 37 Thru 100							
			<b>13</b> .812 20.62 37,51-2,67,69,100							
			<b>14</b> .875 22.23 51-2, 67, 69, 100							
			<b>15</b> .938 23.83 51-2, 67, 69, 100							
			<b>16</b> 1.000 25.40 51-2, 67, 69, 100							
										
			<b>Sample Part Number</b>							
			507-178			M	25	06	K	F



### MATERIALS (SEE ORDERING INFO FOR FINISH OPTIONS)

Shell	Aluminum Alloy
Jackscrews, Washers, Jackposts	300 Series Stainless Steel, Passivated

Shell size 09 may be supplied with optional configuration J Dimension of 1.140 (28.96) Max.



CABLE ENTRY			
Code	H		Available on Shell Size
	In. ± .010	mm. ± 0.25	
04	.250	6.35	09, 15, 21
05	.312	7.92	15 Thru 31
06	.375	9.53	21 Thru 51
07	.437	11.10	25 Thru 51
08	.500	12.70	25 Thru 51
09	.562	14.27	31 Thru 100
10	.625	15.88	31 Thru 100
11	.688	17.48	37 Thru 100
12	.750	19.05	37 Thru 100
13	.812	20.62	37,51-2,67,69,100
14	.875	22.23	51-2, 67, 69, 100
15	.938	23.83	51-2, 67, 69, 100
16	1.000	25.40	51-2, 67, 69, 100

DIMENSIONS												
Size	A Max.		C Max.		B		F		F Max.		G Max.	
	In.	mm.	In.	mm.	In.	mm.	In. ± .010	mm. ± 0.25	In.	mm.	In.	mm.
09	.915	23.24	.450	11.43	.565	14.35	.160	4.06	1.033	26.24	.721	18.31
15	1.065	27.05	.450	11.43	.715	18.16	.190	4.83	1.096	27.84	.783	19.89
21	1.215	30.86	.450	11.43	.865	21.97	.220	5.59	1.127	28.63	.815	20.70
25	1.315	33.40	.450	11.43	.965	24.51	.260	6.60	1.190	30.23	.877	22.28
31	1.465	37.21	.450	11.43	1.115	28.32	.275	6.99	1.221	31.01	.908	23.06
37	1.615	41.02	.450	11.43	1.265	32.13	.285	7.24	1.283	32.59	.971	24.66
51	1.565	39.75	.495	12.57	1.215	30.86	.350	8.89	1.346	34.19	1.033	26.24
51-2	1.965	49.91	.450	11.43	1.615	41.02	.350	8.89	1.346	34.19	1.033	26.24
67	2.365	60.07	.450	11.43	2.015	51.18	.350	8.89	1.346	34.19	1.033	26.24
69	1.865	47.37	.495	12.57	1.515	38.48	.350	8.89	1.346	34.19	1.033	26.24
100	2.305	58.55	.540	13.72	1.800	45.72	.490	12.45	1.408	35.76	1.096	27.83