

Series 804 Push-Pull Mighty Mouse Crimp Receptacles

804-003 and 804-004



In-Line
804-003-01



**Rear Panel Jam
Nut Mount**
804-003-07

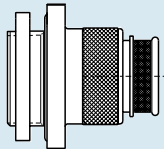
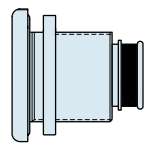
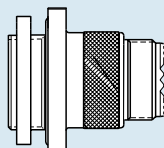

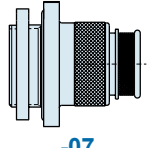


**Front Panel Jam
Nut Mount**
804-003-00

Integral Band Platform for direct attachment of a cable shield. Install a boot, or overmold directly onto the band platform. Or, choose an accessory thread for attaching strain reliefs and backshells.

Three Shell Styles
Jam nut with O-ring for front or rear panel mounting, or in-line receptacles for free-hanging cables.

Watertight, Shielded
O-ring inside the receptacle provides a dynamic seal when mated. Gold-plated spring provides secure mechanical retention and low shell-to-shell resistance for excellent EMI shielding.

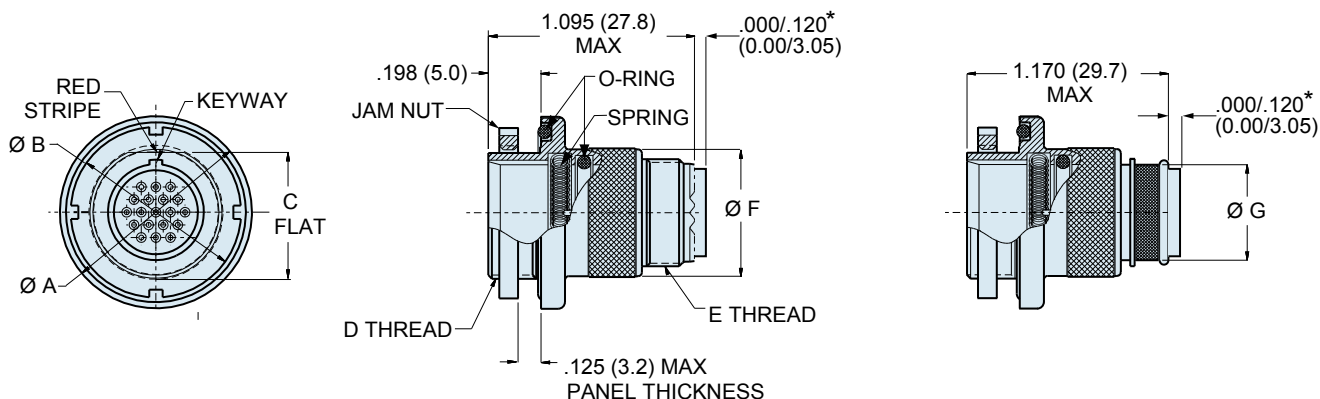
HOW TO ORDER					
Sample Part Number					
804-003	-01	M	7-10	P	
Series	Shell Style	Shell Material / Finish	Shell Size- Insert Arrangement	Contact Type	Shell Key Position
 804-003 Receptacle with Banding Platform	 -00 Jam Nut for Front Panel Mounting	C Aluminum / Black Anodize (Non-Conductive) RoHS Compliant M Aluminum / Electroless Nickel RoHS Compliant NF Aluminum / Cadmium with Olive Drab Chromate ZN Aluminum / Zinc-Nickel with Olive Drab Chromate ZNU Aluminum / Zinc-Nickel with Black Chromate MT Aluminum / Nickel-PTFE RoHS Compliant Z1 Stainless Steel / Passivated RoHS Compliant	SEE CONTACT ARRANGEMENTS PAGE G-2	Connector supplied with contacts P Pin S Socket Connector supplied without contacts A Pin Connector, less contacts B Socket Connector, less contacts Connectors with contacts are supplied with signal and/or power crimp contacts. These contacts are not installed. Coaxial contacts and non-standard signal contacts are ordered separately.	Omit for Single Master Key A Pos. A (Normal) B Pos. B C Pos. C D Pos. D
 804-004 Receptacle with Accessory Thread	 -01 In-Line for Free-Hanging Cable				
	 -07 Jam Nut for Rear Panel Mounting				

Dimensions in inches (millimeters) and are subject to change without notice.



Series 804 Push-Pull Mighty Mouse Jam Nut Rear Panel Receptacle Dimensions

804-004-07 and 804-003-07



*Grommet protrudes for power/combo arrangements

Accessory Thread
804-004-07

Integral Band Platform
804-003-07

DIMENSIONS

Shell Size	Ø A		Ø B		C Flat		D Threads	E Threads	Ø F		Ø G	
	In.	mm.	In.	mm.	In.	mm.			In.	mm.	In.	mm.
5	.790	20.07	.562	14.27	.415	10.54	.4375-32 UN-2A	.2500-32 UNEF-2A	.450	11.43	.246	6.25
6	.830	21.08	.625	15.87	.467	14.40	.5000-32 UN-2A	.3125-32 UNEF-2A	.520	13.21	.286	7.26
7	.910	23.11	.750	19.05	.594	15.09	.6250-28 UN-2A	.4375-28 UNEF-2A	.580	14.73	.390	9.91
8	.955	24.26	.750	19.05	.594	15.09	.6250-28 UN-2A	.5000-28 UNEF-2A	.603	15.32	.442	11.23
9	1.000	25.40	.812	20.62	.655	16.64	.6875-28 UN-2A	.5625-24 UNEF-2A	.695	17.65	.500	12.70
10	1.085	27.48	.875	22.22	.721	18.31	.7500-28 UN-2A	.6250-24 UNEF-2A	.735	18.67	.564	14.33
11	1.135	28.83	.938	23.83	.788	20.02	.8125-28 UN-2A	.6875-24 UNEF-2A	.810	20.57	.564	14.33
12	1.180	29.97	1.000	25.40	.843	21.41	.8750-28 UN-2A	.6875-24 UNEF-2A	.880	22.35	.650	16.51
14	1.325	33.66	1.125	28.57	.968	24.59	1.0000-28 UN-2A	.9375-20 UNEF-2A	1.010	25.65	.805	20.45
15	1.390	35.31	1.188	30.18	1.029	18.31	1.0625-20 UN-2A	.9375-20 UNEF-2A	1.060	26.92	.564	14.33

ALTERNATE KEY POSITIONS

Pos.	A°	B°
A	150°	210°
B	75°	210°
C	95°	230°
D	140°	275°
E	75°	275°
F	95°	210°

JAM NUT REAR PANEL CUTOUT

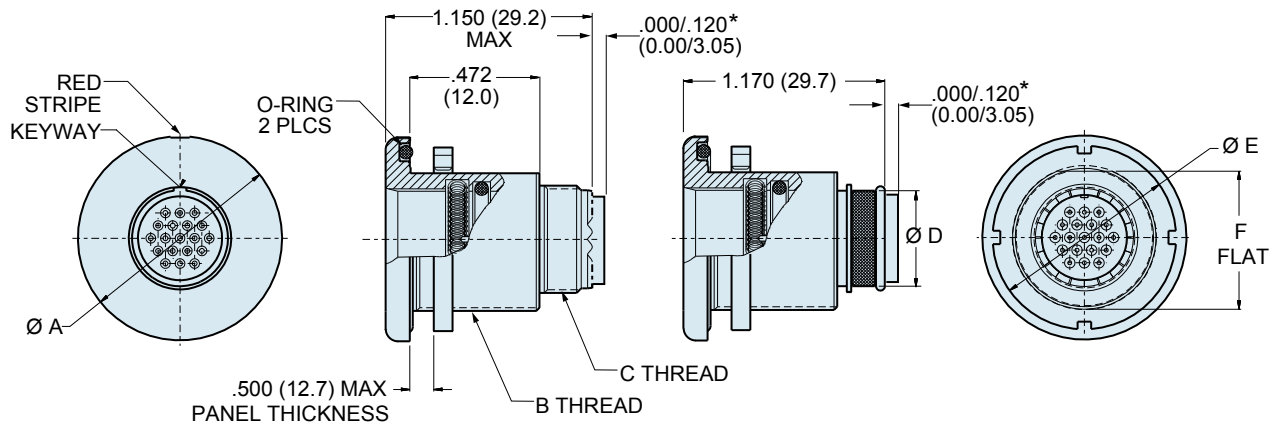
Shell Size	A Flat		Ø B	
	In. ± .002	mm. ± 0.05	In. ± .005	mm. ± 0.13
5	.427/.423	10.85/10.74	.448	11.38
6	.479/.475	12.17/12.07	.510	12.95
7	.606/.602	15.39/15.29	.635	16.13
8	.606/.602	15.39/15.29	.635	16.13
9	.667/.663	16.94/16.84	.695	17.65
10	.734/.729	18.64/18.52	.760	19.30
11	.801/.796	20.35/20.22	.760	19.30
12	.855/.851	21.72/21.62	.822	20.88
14	.980/.976	24.89/24.79	1.010	25.65
15	1.041/1.037	26.44/26.34	1.070	27.18

Dimensions in inches (millimeters) and are subject to change without notice.

Series 804 Push-Pull Mighty Mouse Jam Nut Front Panel Receptacle Dimensions 804-004-00 and 804-003-00



Series 804



*Grommet protrudes for power/combo arrangements

Accessory Thread
804-004-00

Integral Band Platform
804-003-00

DIMENSIONS										
Shell Size	Ø A		B Threads	C Threads	Ø D		Ø E		F Flat	
	In.	mm.			In.	mm.	In.	mm.	In.	mm.
5	.830	21.08	.5000-32 UN-2A	.2500-32 UNEF-2A	.246	6.25	.625	15.87	.470	11.94
6	.885	22.48	.5625-32 UN-2A	.3125-32 UNEF-2A	.286	7.26	.688	17.47	.530	13.46
7	.995	25.27	.6875-28 UN-2A	.4375-28 UNEF-2A	.390	9.91	.812	20.62	.663	16.84
8	.995	25.27	.6875-28 UN-2A	.5000-28 UNEF-2A	.442	11.23	.812	20.62	.663	16.84
9	1.075	27.31	.7500-28 UN-2A	.5625-24 UNEF-2A	.500	12.70	.875	22.22	.720	18.29
10	1.140	28.95	.8125-28 UN-2A	.6250-24 UNEF-2A	.564	14.33	.938	23.82	.788	20.02
11	1.190	30.23	.8750-28 UN-2A	.6875-24 UNEF-2A	.650	16.51	1.125	28.57	.970	24.64
12	1.340	34.04	1.0000-28 UN-2A	.6875-24 UNEF-2A	.650	16.51	1.125	28.57	.970	24.64
14	1.390	35.31	1.0620-20 UN-2A	.9375-20 UNEF-2A	.805	20.45	1.188	30.18	1.020	25.91
15	1.450	36.83	1.1250-28 UN-2A	.9375-20 UNEF-2A	.650	16.51	1.125	28.57	.970	24.64

ALTERNATE KEY POSITIONS

Pos.	A°	B°
A	150°	210°
B	75°	210°
C	95°	230°
D	140°	275°

JAM NUT FRONT PANEL CUTOUT

Shell Size	A Flat		Ø B	
	In. ± .002	mm. ± 0.05	In. ± .005	mm. ± 0.13
5	.482/.478	12.24/12.14	.510	12.95
6	.542/.538	13.77/13.67	.575	14.61
7	.676/.671	17.17/17.04	.698	17.73
8	.676/.671	17.17/17.04	.698	17.73
9	.732/.728	18.59/18.49	.760	19.30
10	.801/.796	20.35/20.22	.822	20.88
11	.855/.851	21.72/21.62	.885	22.48
12	.982/.978	24.94/24.84	1.010	25.65
14	1.032/1.028	26.21/26.11	1.075	27.31
15	1.015/1.011	25.78/25.68	1.075	28.83

Dimensions in inches (millimeters) and are subject to change without notice.

© 2010 Glenair, Inc.

CAGE Code 06324

Printed in U.S.A.

GLENAIR, INC. • 1211 AIR WAY • GLENDALE, CA 91201-2497 • 818-247-6000 • FAX 818-500-9912

www.glenair.com

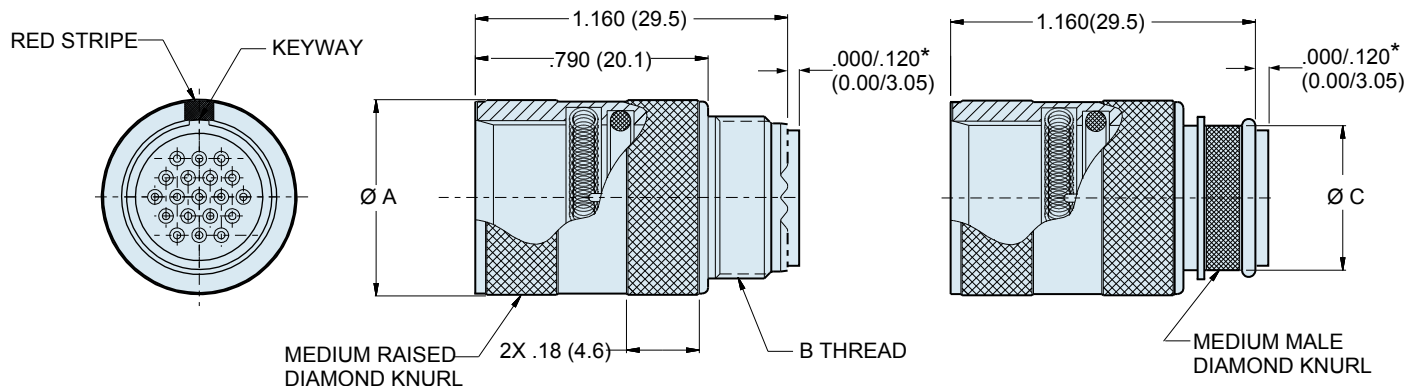
G-9

E-Mail: sales@glenair.com

REV 13-MARCH-2013



**Series 804 Push-Pull Mighty Mouse
In-Line Receptacle Dimensions**
804-004-01 and 804-003-01



*Grommet protrudes for power/combo arrangements

Accessory Thread
804-004-01

Integral Band Platform
804-003-01

DIMENSIONS					
Shell Size	Ø A		B Threads	Ø C	
	In.	mm.		In.	mm.
5	.450	11.43	.2500-32 UNEF-2A	.246	6.25
6	.520	13.21	.3125-32 UNEF-2A	.286	7.26
7	.580	14.73	.4375-28 UNEF-2A	.390	9.91
8	.603	15.32	.5000-28 UNEF-2A	.442	11.23
9	.695	17.65	.5625-24 UNEF-2A	.500	12.70
10	.735	18.67	.6250-24 UNEF-2A	.564	14.33
12	.880	22.35	.6875-24 UNEF-2A	.650	16.51
14	1.010	25.65	.9375-20 UNEF-2A	.805	20.45

ALTERNATE KEY POSITIONS			
Pos.	A°	B°	
A	150°	210°	
B	75°	210°	
C	95°	230°	
D	140°	275°	

Dimensions in inches (millimeters) and are subject to change without notice.