



310-034

O-Ring Sealed Shrink Boot Adapter Direct Coupling - Standard Profile

CONNECTOR DESIGNATOR:

A	MIL-DTL-5015, -26482, Series II and -83723 Series I and III
B*	MIL-DTL-5015
C	MIL-DTL-2292
D	MIL-DTL-26482
E	MIL-DTL-26500
F	MIL-DTL-38999 Series I, II
G	MIL-DTL-28840
H	MIL-DTL-38999 Series III and IV
J	MIL-DTL-81511 Series I, II, III & IV
K	MIL-DTL-83723 Series II
L	LN29729
S	PATT 105, PATT 603, PATT 608

DIRECT COUPLING

*When using Designator B, refer to Pages H-4 and H-5

Finish

B = Cadmium Plate, Olive Drab
C = Anodize, Black
G = Hard Coat, Anodic
M = Electroless Nickel
NF = Cadmium Plate, Olive Drab over Electroless Nickel
 (See Page H-3)

Angle and Profile

H = 45°
J = 90°
S = Straight

Product Series

310

D

S

034

M

16

T

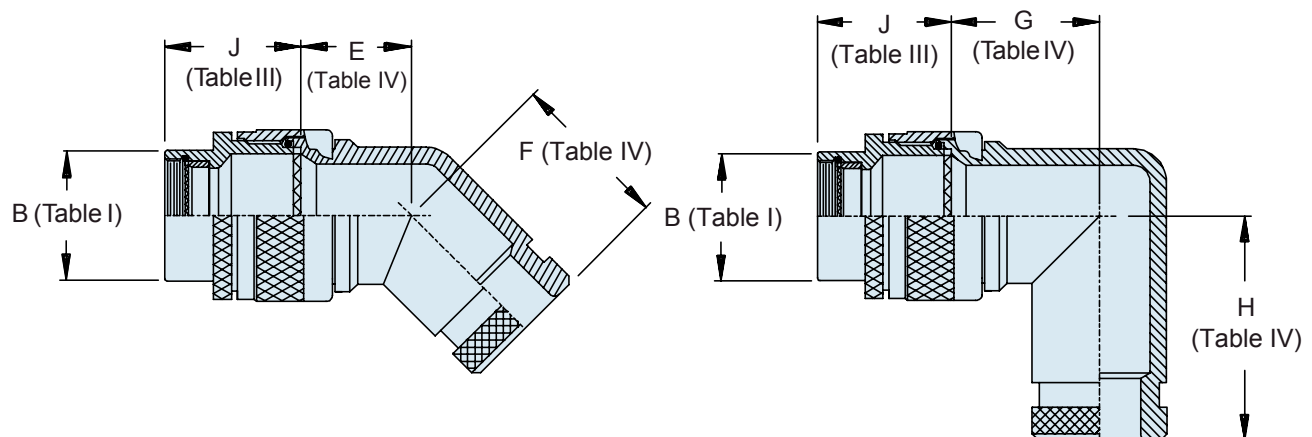
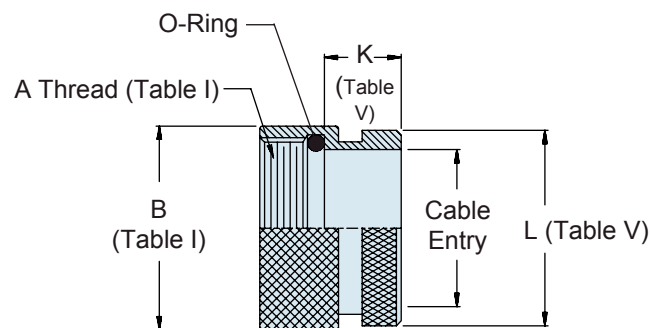
Connector Designator

Basic Part Number

Shell Size

Shrink Boot
See Table III
(Omit for None)

Add "T" to Part Number
for Standard Boot



APPLICATION NOTES

1. Cable Entry is defined as the accommodation range for the wire bundle or cable. Dimensions shown are not intended for inspection criteria.
2. See Backshell Interface Dimensions and Standards on Page H-4.
3. When using Connector Designator B refer to pages H-4 and H-5 for part number development.

Dimensions in inches (millimeters) and are subject to change without notice.

CAGE Code 06324

Printed in U.S.A.

© 2011 Glenair, Inc.

GLENAIR, INC. • 1211 AIR WAY • GLENDALE, CA 91201-2497 • 818-247-6000 • FAX 818-500-9912

www.glenair.com

H-8

E-Mail: sales@glenair.com

310-034
O-Ring Sealed Shrink Boot Adapter
Direct Coupling - Standard Profile



See Pages H-2 and H-3 for unabridged Tables I and II.

TABLE III: Front Adapter			
Shell Size	J Max - Connector Designator		C
	A-E-F-J-H-S	D-B-G-K	
08/09	1.180 (30.0)	1.250 (31.8)	–
10/11	1.180 (30.0)	1.250 (31.8)	–
12/13	1.180 (30.0)	1.250 (31.8)	1.735 (44.1)
14/15	1.180 (30.0)	1.250 (31.8)	1.915 (48.6)
16/17	1.380 (35.0)	1.560 (39.6)	1.915 (48.6)
18/19	1.380 (35.0)	1.560 (39.6)	1.915 (48.6)
20/21	1.380 (35.0)	1.560 (39.6)	1.915 (48.6)
22/23	1.380 (35.0)	1.560 (39.6)	1.915 (48.6)
24/25	1.380 (35.0)	1.560 (39.6)	1.915 (48.6)
28/29	1.610 (40.9)	1.560 (39.6)	1.915 (48.6)
32/33	1.610 (40.9)	1.750 (44.5)	1.915 (48.6)
36	1.610 (40.9)	1.750 (44.5)	1.915 (48.6)
40	1.610 (40.9)	2.190 (55.6)	1.915 (48.6)

TABLE IV: Dimensions				
Shell Size	E Max	F Max	G Max	H Max
08/09	.639 (16.2)	.810 (20.6)	.750 (19.1)	.920 (23.4)
10/11	.664 (16.9)	.840 (21.3)	.810 (20.6)	.980 (24.9)
12/13	.688 (17.5)	.860 (21.8)	.870 (22.1)	1.040 (26.4)
14/15	.705 (17.9)	.890 (22.6)	.920 (23.4)	1.110 (28.2)
16/17	.732 (18.6)	.910 (23.1)	.980 (24.9)	1.170 (29.7)
18/19	.748 (19.0)	.920 (23.4)	1.020 (25.9)	1.190 (30.2)
20/21	.773 (19.6)	.940 (23.9)	1.080 (27.4)	1.250 (31.8)
22/23	.800 (20.3)	.980 (24.9)	1.140 (29.0)	1.330 (33.8)
24/25	.823 (20.9)	1.010 (25.7)	1.200 (30.5)	1.400 (35.6)
28	1.041 (26.4)	1.180 (30.0)	1.480 (37.6)	1.640 (41.7)
32	1.092 (27.7)	1.370 (34.8)	1.610 (40.9)	1.880 (47.8)
28	1.041 (26.4)	1.180 (30.0)	1.480 (37.6)	1.640 (41.7)
32	1.092 (27.7)	1.370 (34.8)	1.610 (40.9)	1.880 (47.8)

TABLE V: Shell Size, Cable Entry, Dimensions and Shrink Boot Part Numbers				
Shell Size	K Max	L Max	Cable Entry Minimum	Shrink Boot Part Number
08	.500 (12.7)	.688 (17.5)	.250 (6.4)	770-001S103
10/11	.500 (12.7)	.803 (20.4)	.355 (9.0)	770-001S103
12/13	.500 (12.7)	.938 (23.8)	.491 (12.5)	770-001S104
14/15	.500 (12.7)	1.063 (27.0)	.565 (14.4)	770-001S104
16/17	.500 (12.7)	1.238 (31.4)	.690 (17.5)	770-001S106
18	.500 (12.7)	1.310 (33.3)	.769 (19.5)	770-001S106
20	.500 (12.7)	1.436 (36.5)	.844 (21.4)	770-001S107
22	.500 (12.7)	1.560 (39.6)	1.019 (25.9)	770-001S107
24	.500 (12.7)	1.686 (42.8)	1.134 (28.8)	770-001S108
28	.687 (17.4)	2.062 (52.4)	1.369 (34.8)	770-001S108
32	.687 (17.4)	2.312 (58.7)	1.615 (41.0)	770-001S109
36	.687 (17.4)	2.562 (65.1)	1.830 (46.5)	Consult Factory
40	.687 (17.4)	2.812 (71.4)	2.045 (51.9)	Consult Factory

Dimensions in inches (millimeters) and are subject to change without notice.

CAGE Code 06324

Printed in U.S.A.