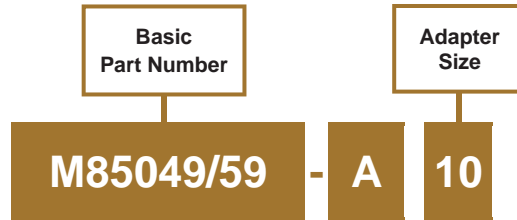


# AS85049/59 Series 310 Straight Shrink Boot Adapter

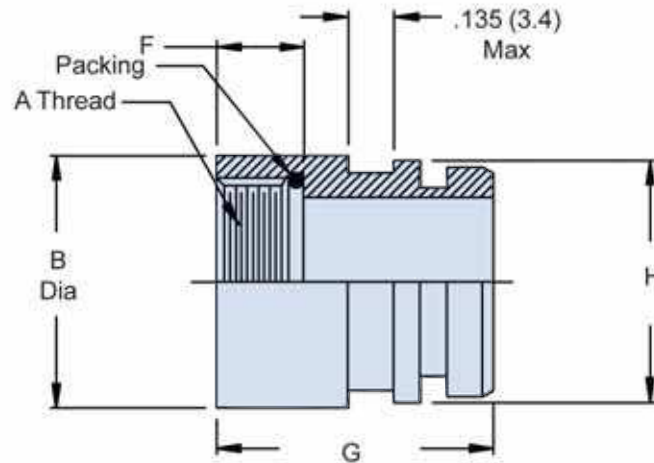


| CONNECTOR DESIGNATOR: |               |
|-----------------------|---------------|
| <b>C</b>              | MIL-DTL-22992 |



Order Boot Separately

**Finish**  
*A = Black Anodize*  
*W = 500 Hr. Cadmium Olive Drab over Electroless Nickel*



| Adapter Size | A Thread Class 2B-LH | B Max        | F ±.016 (0.4) | G ±.031 (0.8) | H Dia ±.010 (0.3) |
|--------------|----------------------|--------------|---------------|---------------|-------------------|
| 12           | .750 - 20 UNEF       | .933 (23.7)  | .479 (6.4)    | 1.175 (29.8)  | .798 (20.3)       |
| 14           | .875 - 20 UNEF       | 1.057 (26.8) | .479 (6.4)    | 1.175 (29.8)  | .922 (23.4)       |
| 16           | 1.000 - 20 UNEF      | 1.182 (30.0) | .479 (6.4)    | 1.175 (29.8)  | 1.048 (26.6)      |
| 18           | 1.125 - 18 UNEF      | 1.307 (33.2) | .479 (6.4)    | 1.175 (29.8)  | 1.172 (29.8)      |
| 20           | 1.250 - 18 UNEF      | 1.432 (36.4) | .479 (6.4)    | 1.175 (29.8)  | 1.297 (32.9)      |
| 22           | 1.375 - 18 UNEF      | 1.557 (39.5) | .479 (6.4)    | 1.175 (29.8)  | 1.423 (36.1)      |
| 24           | 1.625 - 18 UNEF      | 1.797 (45.6) | .479 (6.4)    | 1.175 (29.8)  | 1.662 (42.2)      |
| 28           | 1.875 - 16 UN        | 2.057 (52.2) | .479 (6.4)    | 1.175 (29.8)  | 1.922 (48.8)      |
| 32           | 2.062 - 16 UN        | 2.307 (58.6) | .479 (6.4)    | 1.175 (29.8)  | 2.172 (55.2)      |
| 36           | 2.312 - 16 UN        | 2.557 (64.9) | .479 (6.4)    | 1.175 (29.8)  | 2.422 (61.5)      |
| 40           | 2.625 - 16 UN        | 2.869 (72.9) | .667 (16.9)   | 1.375 (44.9)  | 2.734 (69.4)      |
| 44           | 2.875 - 16 UN        | 3.120 (79.2) | .667 (16.9)   | 1.375 (44.9)  | 2.982 (75.7)      |

**APPLICATION NOTES**

- For complete dimensions see the applicable Military Specification.

Dimensions in inches (millimeters) and are subject to change without notice.