

B

2 Channel fiber optic receptacle connector

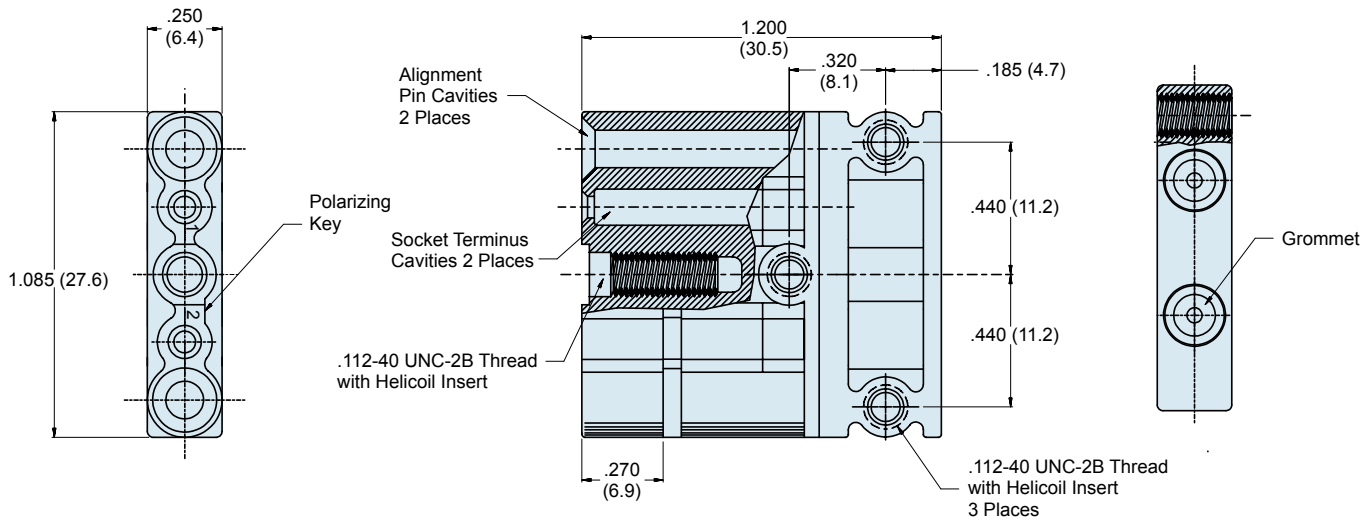
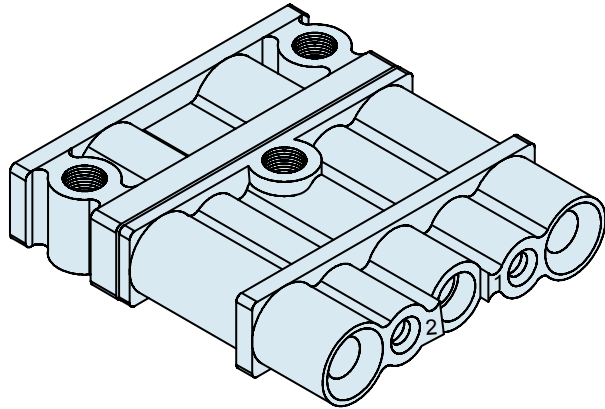


How To Order

Product Series

180 - 052

Basic No.



**Material and Finish**

Connector Housing: High Grade Engineering Thermoplastic  
Grommet: Fluorosilicone  
Helicoil Insert: Stainless Steel

**Notes**

Connector designed to accept Glenair Part Number 181-001 or MIL-PRF-29504/5 Style Fiber Optic Termini. Termini not supplied.  
Recommended Insertion/Removal Tool: P/N M81969/14-03 or equivalent.