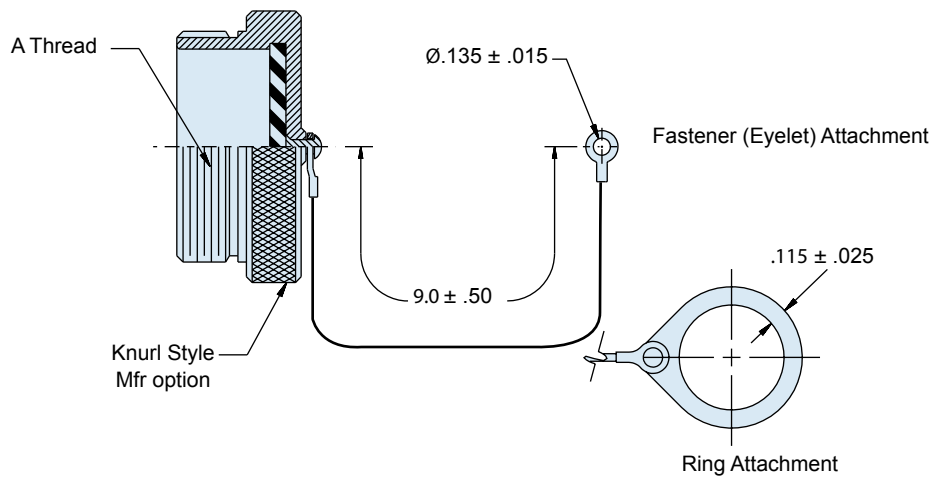




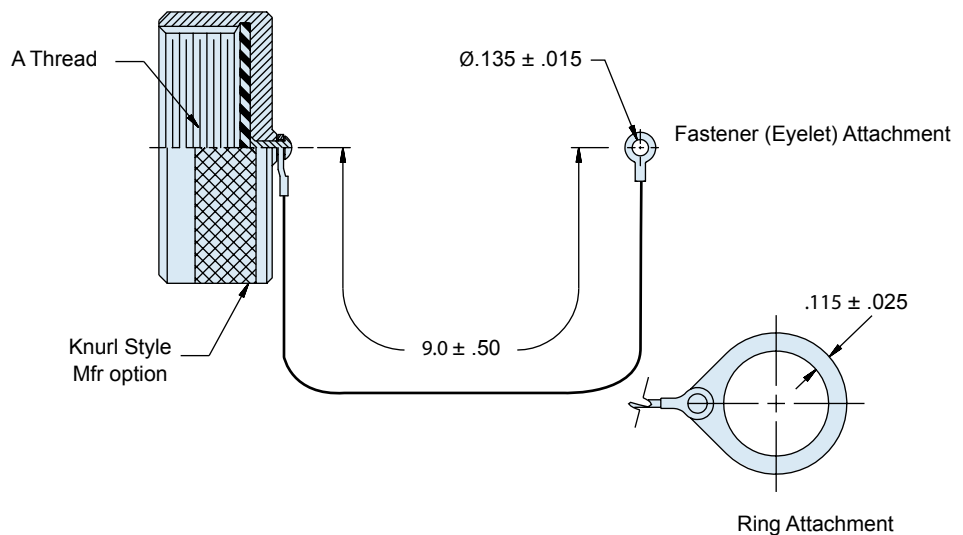
Plug and receptacle dust covers

Table I: Cover Type		
Connector	MIL-Spec Basic P/N	Glenair Commercial Basic P/N
Plug	M28876/10	660-072
Receptacle	M28876/15	660-073

**M28876/10 • 660-072
Plug Cover**



**M28876/15 • 660-073
Receptacle Cover**



M28876/10 and M28876/15
660-072 and 660-073
MIL-PRF-28876 Dust Covers



How to order: Military QPL

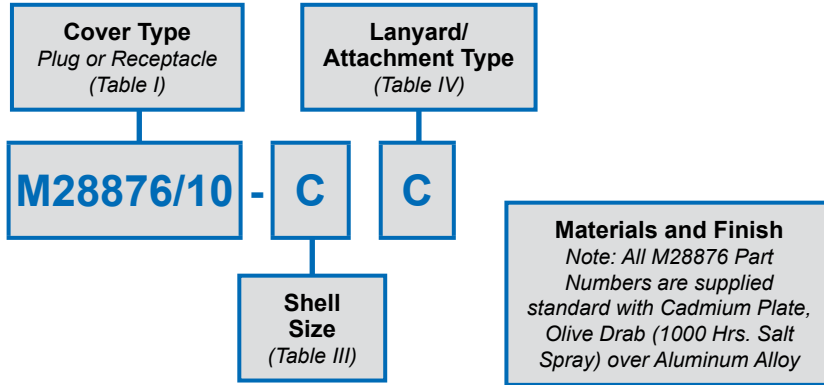


Table II: Material and Finish (Commercial)

Code	Material	Finish Description
M	Aluminum Alloy	Electroless Nickel
NF		Cadmium, Olive Drab
MT		Nickel-PTFE, Grey
ZR		Zinc-Nickel, Black
Consult Factory for Additional Options		

Refer to Appendix for material/finish details

*MT plating available only with Glenair commercial equivalent part numbers

Table III: Shell Size

Symbol	A Thread
A	.750-0.1P-0.2L-D.S.
B	.875-0.1P-0.2L-D.S.
C	1.062-0.1P-0.2L-D.S.
F	1.500-0.1P-0.2L-D.S.

How To Order: Glenair Commercial

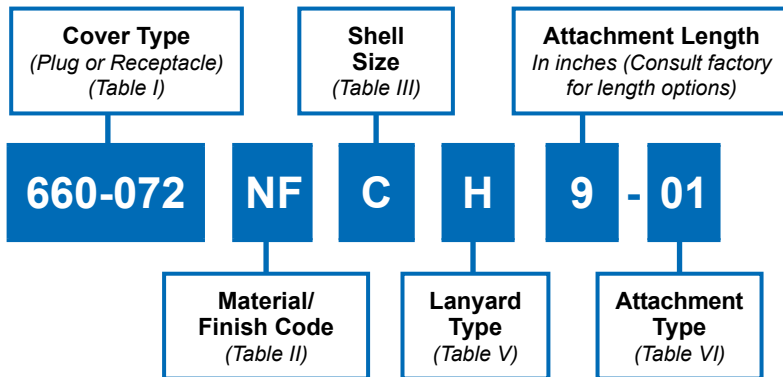


Table IV: Lanyard/Attachment (MIL-Spec)

Symbol	Description
A	Chain (Sash) with Fastener (Eyelet) Attachment
B	Chain (Sash) with Ring Attachment
C	Wire Rope with Fastener (Eyelet) Attachment
D	Wire Rope with Ring Attachment
E	Without Chain (Sash) or Wire Rope

Table VI: Attachment Type (Commercial)

Shell Size	Attachment Type	Connector Type	Code
A	Ring	Plug	13
		Recp	15
B	Ring	Plug	15
		Recp	17
C	Ring	Plug	17
		Recp	20
D	Ring	Plug	23
		Recp	27
All	Fastener (Eyelet)	All	01

Table V: Lanyard Type (Commercial)

Symbol	Type
H	Wire Rope, Coated
S	Chain (Sash), Passivated
N	No Lanyard
Consult Factory for Additional Options	