

Series 970 PowerTrip™ Connectors and Accessories

Contacts and Tools

Crimp Contacts



CRIMP CONTACTS

Series 970 PowerTrip™ contacts for size #16 through Size #1/0 wire. Size #8, #4 and #1/0 contacts are high conductivity copper alloy (IACS >90%) with silver or gold plating. Size #12 and #16 contacts are copper alloy with gold over palladium finish. Size #1/0, 4 and 8 socket contacts feature low resistance, high durability louverband springs. Terminate to wire with standard crimp tools. Contacts are snap-in, rear-release and meet the performance requirements of SAE AS39029.



Pin Contact



Socket Contact

- LouverBand Springs
- High Conductivity Alloy
- Crimp Termination
- Gold or Silver Plating

Crimp Contacts

| Size | Wire Size | Finish | Pin Contact Part Number | Socket Contact Part Number | Socket Contact Type |
|------|-----------|----------------|--------------------------------|--------------------------------|---------------------|
| 16 | #16-#20 | Gold/Palladium | 850-037-16 | 850-038-16 | Split-Tine |
| 12 | #12-#14 | Gold/Palladium | 850-037-12 | 850-038-12 | Split-Tine |
| 8 | #8 | Silver | 850-026-8-8-1 | 850-027-8-8-1 | LouverBand |
| | | Gold | 850-026-8-8-2 | 850-027-8-8-2 | LouverBand |
| | #10 | Silver | 850-026-8-10-1 | 850-027-8-10-1 | LouverBand |
| | | Gold | 850-026-8-10-2 | 850-027-8-10-2 | LouverBand |
| 4 | #4 | Silver | 850-026-4-4-1 | 850-027-4-4-1 | LouverBand |
| | | Gold | 850-026-4-4-2 | 850-027-4-4-2 | LouverBand |
| | #6 | Silver | 850-026-4-6-1 | 850-027-4-6-1 | LouverBand |
| | | Gold | 850-026-4-6-2 | 850-027-4-6-2 | LouverBand |
| 1/0 | #1/0 | Silver | 850-026-0-0-1 | 850-027-0-0-1 | LouverBand |
| | | Gold | 850-026-0-0-2 | 850-027-0-0-2 | LouverBand |
| | #2 | Silver | 850-026-0-2-1 | 850-027-0-2-1 | LouverBand |
| | | Gold | 850-026-0-2-2 | 850-027-0-2-2 | LouverBand |

Tools for Contact Crimping and Installation

| Contact Size | Insertion/Extraction Tool | Extraction Tool | Crimp Tool | Positioner | Die Set | Locator |
|--------------|---------------------------|-------------------------|-------------------------|-------------------------|-------------------------|-------------------------|
| #16 | 809-131 | — | 809-136 | 859-032 | — | — |
| #12 | 809-132 | — | 809-136 | 859-032 | — | — |
| #8 | — | 859-022 | 859-025 | — | 859-026 | 859-029 |
| #4 | — | 859-023 | 859-025 | — | 859-027 | 859-030 |
| #1/0 | — | 859-024 | 859-025 | — | 859-028 | 859-031 |

Material and Finish Specifications

| | |
|------------------------------|---|
| Pin, Size #16 and #12 | Copper alloy, gold flash over palladium finish |
| Pin, Size #8, #4 and #1/0 | High conductivity copper alloy, gold or silver finish over nickel |
| Socket, Size #16 and #12 | Copper alloy, stainless steel hood, gold flash over palladium finish |
| Socket, Size #8, #4 and #1/0 | High conductivity copper alloy, beryllium copper louverband spring, gold or silver finish over nickel |

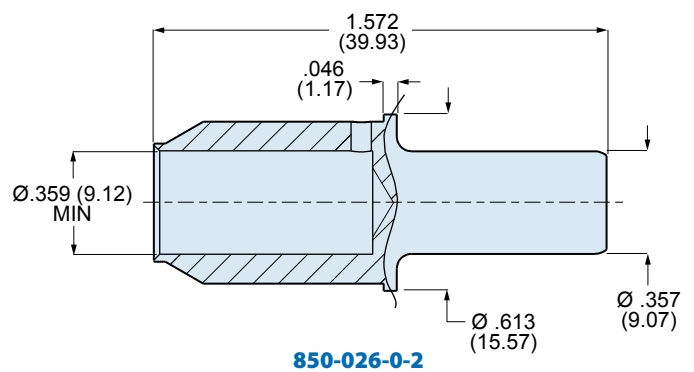
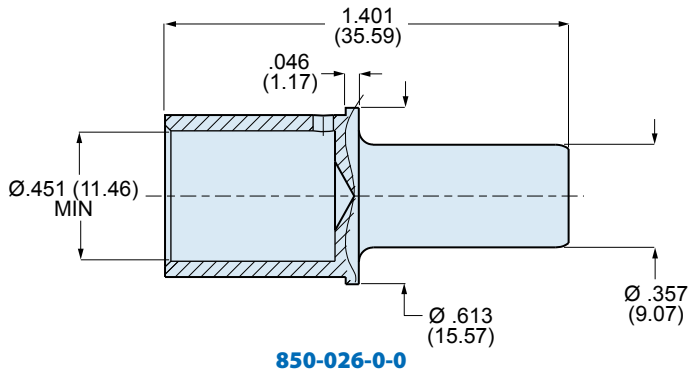
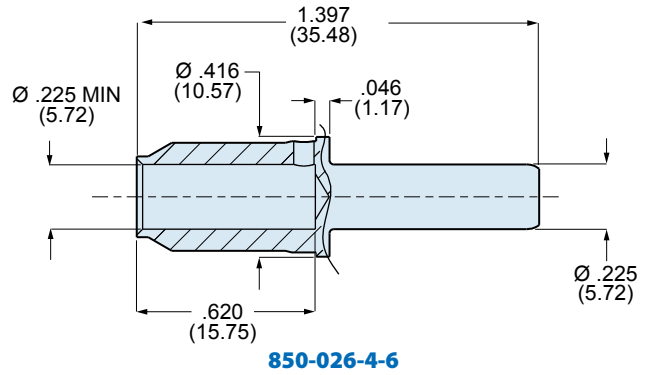
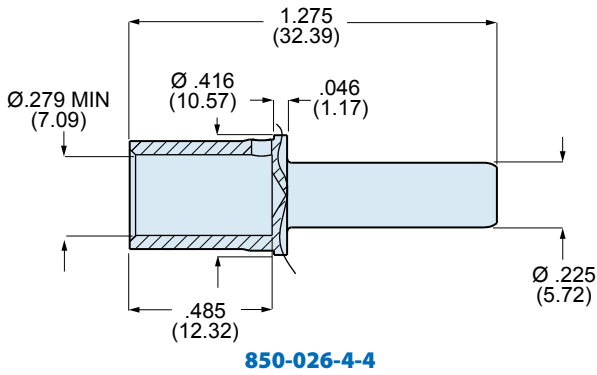
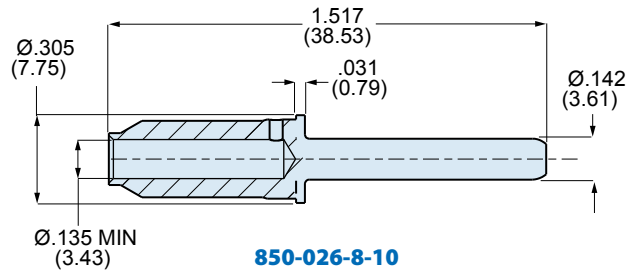
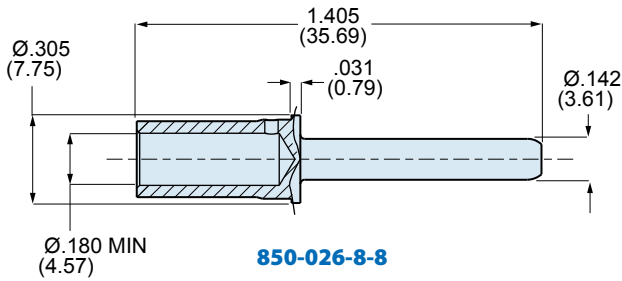
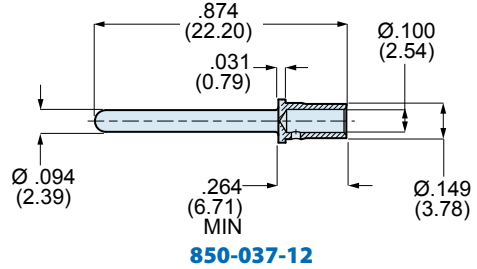
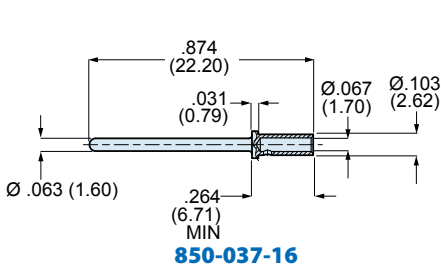
Contact Current Rating and Resistance

| Contact and Wire Size | Current Rating at 20° C (Amperes) | Current Rating at 80° C (Amperes) | Max. Contact Resistance (milliohms) |
|-----------------------|-----------------------------------|-----------------------------------|-------------------------------------|
| #16 | 22 | 13 | 6.0 |
| #12 | 41 | 23 | 3.0 |
| #8 | 73 | 46 | 1.0 |
| #4 | 135 | 80 | 0.5 |
| #1/0 | 245 | 150 | 0.3 |



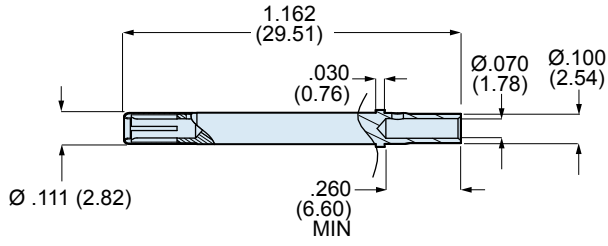
Series 970 PowerTrip™ Connectors and Accessories
 Contacts and Tools
 Crimp Contacts

PIN CONTACTS

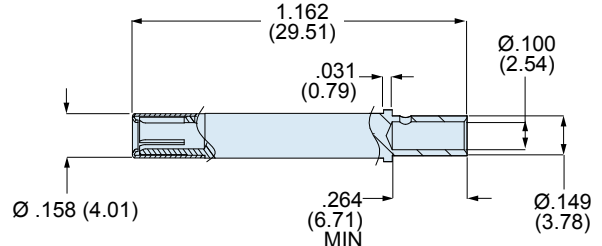


G

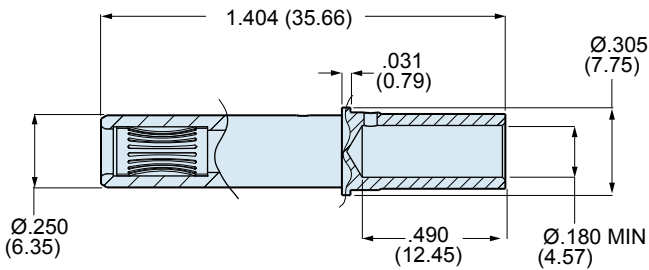
SOCKET CONTACTS



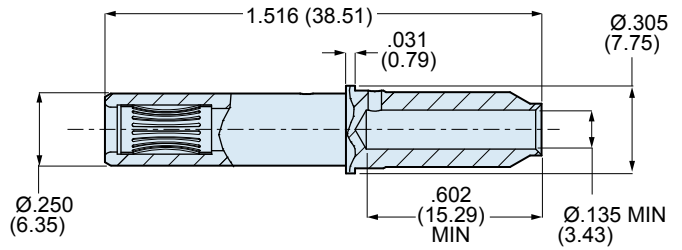
850-038-16



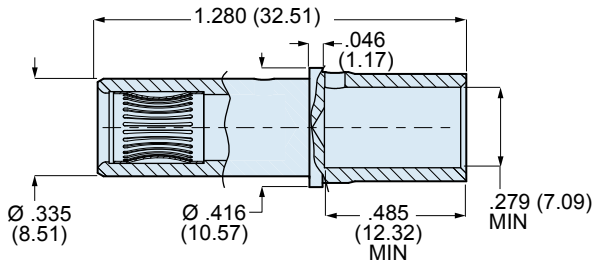
850-038-12



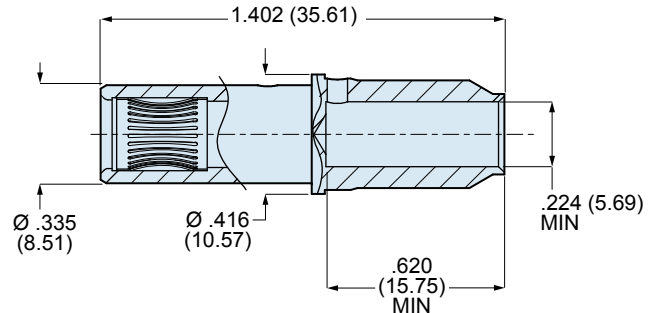
850-027-8-8



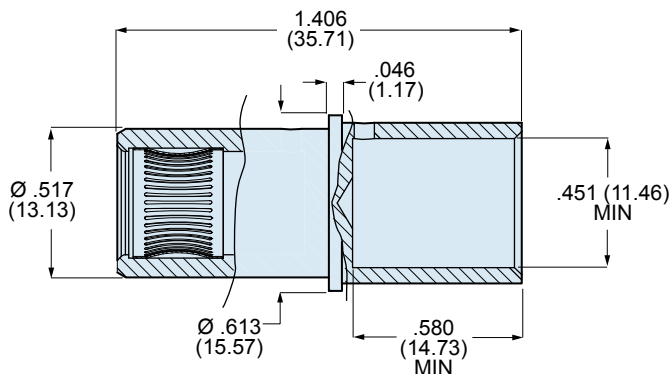
850-027-8-10



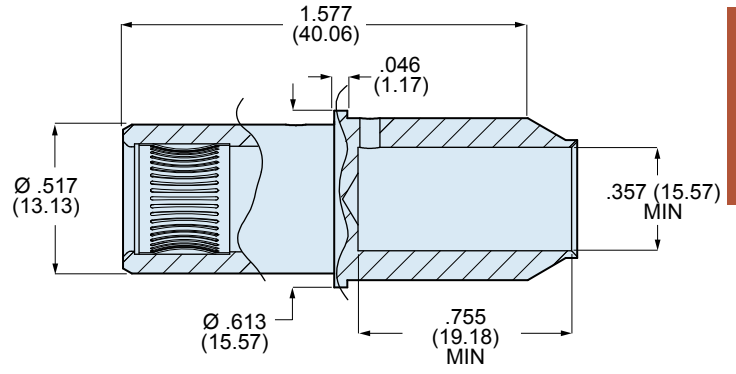
850-027-4-4



850-027-4-6



850-027-0-0



850-027-0-2

