

### Features

- Current rating of 300 mA
- Inductance range: 10 to 330  $\mu$ H
- Frequency range to 1600 MHz
- RoHS compliant\*

### Applications

- EMI suppression

**BOURNS®**

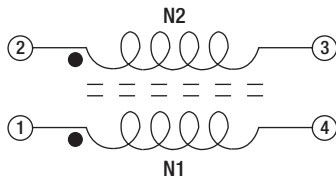
## SRF0602 Series - Line Filter

### Electrical Specifications @ 25 °C

Part Number	L ( $\mu$ H) *	Leakage Inductance ( $\mu$ H) Max.	DCR ( $\Omega$ ) max. (each winding)	Rated Current (mA)	Impedance (Z)	
					Freq. Range (MHz)	Min. Value ( $\Omega$ )
SRF0602-100Y	10 $\pm$ 50 %	1	0.24	300	35 - 570	600
SRF0602-470Y	47 $\pm$ 50 %	4	0.16	300	4 - 1600	140
SRF0602-820Y	82 $\pm$ 50 %	4	0.02	300	3 - 850	220
SRF0602-101Y	100 $\pm$ 50 %	8	0.22	300	3 - 660	260
SRF0602-181Y	180 $\pm$ 50 %	8	0.25	300	3 - 250	500
SRF0602-221Y	220 $\pm$ 50 %	10	0.28	300	3 - 210	600
SRF0602-331Y	330 $\pm$ 50 %	10	0.30	300	3 - 120	900

\* Test condition: 2 mV, 10 KHz

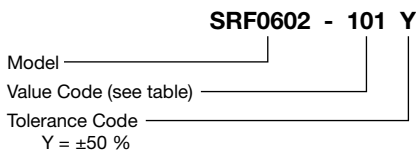
### Schematic



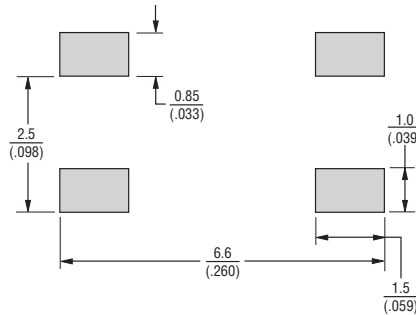
### Typical Part Marking



### How to Order



### Recommended Layout



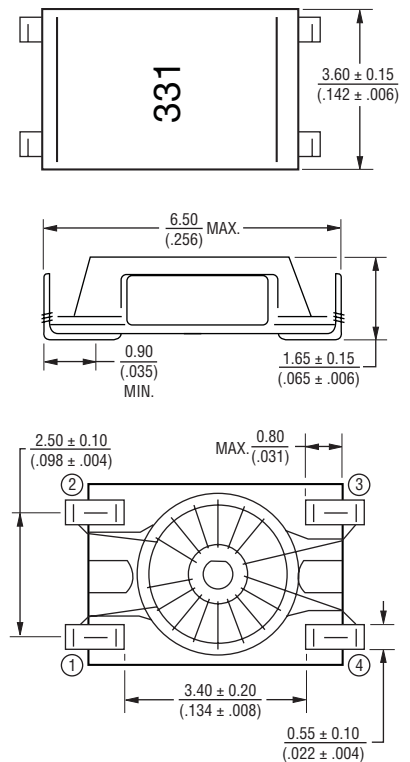
### General Specifications

Temperature Rise...20 °C at rated current  
 Rated Voltage.....50 Vdc  
 Hi-Pot.....250 VAC, 60 Hz,  
 3 mA max. for 1 minute  
 Operating Temperature  
 .....-40 °C to +105 °C  
 (Temperature rise included)  
 Storage Temperature ..-40 °C to +105 °C  
 Solderability.....260 °C for 5 sec.  
 (JEDEC J-STD-020D)

### Materials

Core Material.....Ferrite  
 Base .....LCP  
 Wire .....Enameled copper  
 Terminal coating .....Sn  
 Packaging.....1000 pcs. per 7-inch reel

### Product Dimensions



DIMENSIONS:  $\frac{\text{MM}}{\text{(INCHES)}}$

**BOURNS®**

Asia-Pacific: Tel: +886-2 2562-4117 • Fax: +886-2 2562-4116

Europe: Tel: +41-41 768 5555 • Fax: +41-41 768 5510

The Americas: Tel: +1-951 781-5500 • Fax: +1-951 781-5700

www.bourns.com

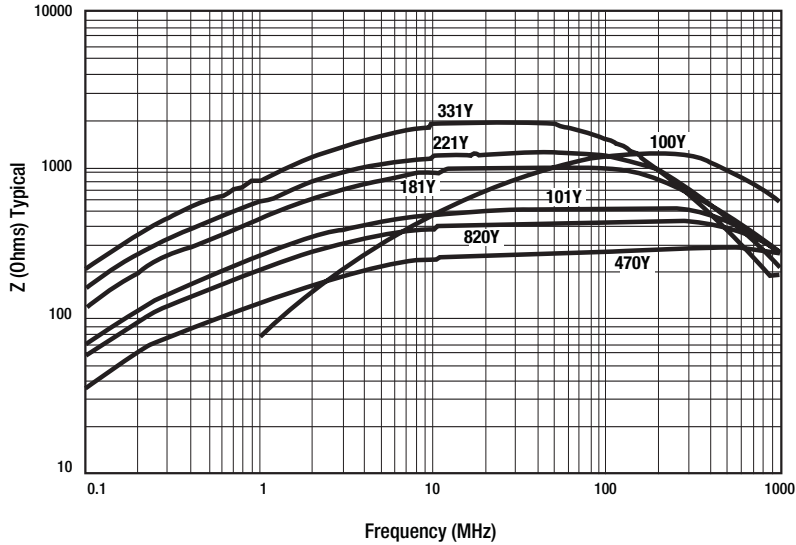
\*RoHS Directive 2002/95/EC Jan 27, 2003 including Annex.  
 Specifications are subject to change without notice.

Customers should verify actual device performance in their specific applications.

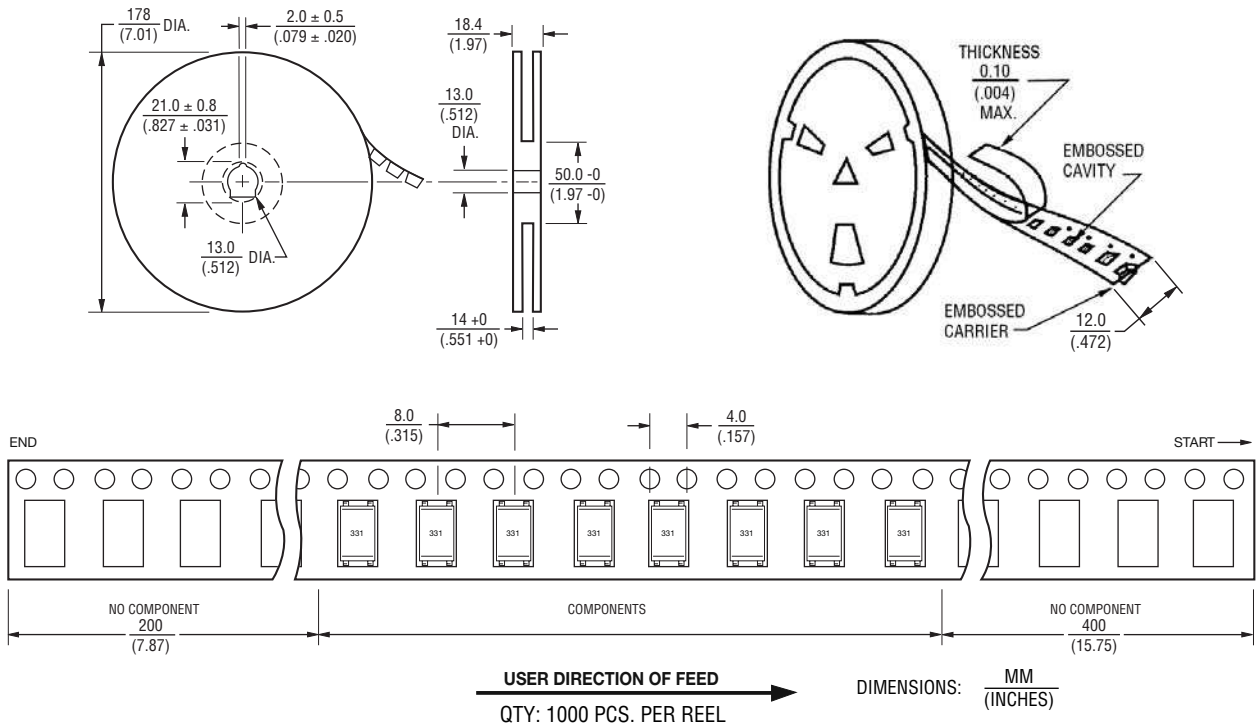
# SRF0602 Series - Line Filter

**BOURNS®**

## Impedance Graph



## Packaging Specifications



REV. 01/11

Specifications are subject to change without notice.

Customers should verify actual device performance in their specific applications.