

Features

- Formerly J. W. Miller® model
- Available in E6 series
- Unit height of 3.8 mm
- Current up to 7.2 A
- RoHS compliant*

Applications

- Input/output of DC/DC converters
- Power supplies for:
 - Portable communication equipment
 - Camcorders
 - LCD TVs
 - Car radios

PM104SH Series - Shielded SMD Power Inductors

Electrical Specifications

Bourns Part No.	Inductance 100 kHz		Q Ref.	Test Frequency (MHz)	SRF Min. (MHz)	RDC (mΩ)	I rms Max. (A)	I sat Typ. (A)
	(μH)	Tol. %						
PM104SH-1R5-RC	1.5	± 30	14	7.96	65.0	5.2	7.20	7.00
PM104SH-2R5-RC	2.5	± 30	12	7.96	50.0	12.5	6.10	6.00
PM104SH-3R8-RC	3.8	± 30	14	7.96	35.0	15.0	5.50	5.50
PM104SH-5R2-RC	5.2	± 30	12	7.96	30.0	22.0	4.60	4.80
PM104SH-7R0-RC	7.0	± 30	13	7.96	36.0	35.0	3.90	4.00
PM104SH-100-RC	10.0	± 30	24	7.96	20.0	25.0	3.80	3.60
PM104SH-150-RC	15.0	± 30	24	2.52	16.0	37.0	2.80	2.70
PM104SH-220-RC	22.0	± 30	20	2.52	12.0	55.8	2.20	2.30
PM104SH-330-RC	33.0	± 30	22	2.52	10.0	86.0	1.80	1.80
PM104SH-470-RC	47.0	± 30	22	2.52	8.0	121.0	1.65	1.60
PM104SH-680-RC	68.0	± 30	24	2.52	7.0	166.0	1.10	1.30
PM104SH-101-RC	100.0	± 30	24	0.796	6.0	220.0	1.30	1.10
PM104SH-151-RC	150.0	± 30	20	0.796	5.0	358.0	0.90	0.80
PM104SH-221-RC	220.0	± 30	22	0.796	4.0	565.0	0.65	0.65
PM104SH-331-RC	330.0	± 30	20	0.796	3.0	773.0	0.55	0.52

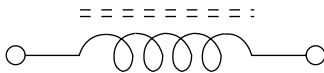
General Specifications

Test Voltage 1 V
 Reflow Soldering .. 230 °C, 50 sec. max.
 Operating Temperature
 -40 °C to +125 °C
 (Temperature rise included)
 Storage Temperature .. -40 °C to +125 °C
 Resistance to Soldering Heat
 260 °C for 10 sec.

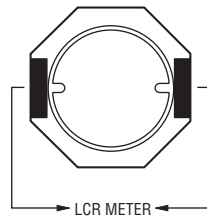
Materials

Core Ferrite DR and RI core
 Wire Enameled copper
 Base LCP E4008
 Terminal Ag/Ni/Sn
 Rated Current
 Ind. drop 35 % typ. at Isat
 Temperature Rise
 40 °C max. at rated I rms
 Packaging 1000 pcs. per reel

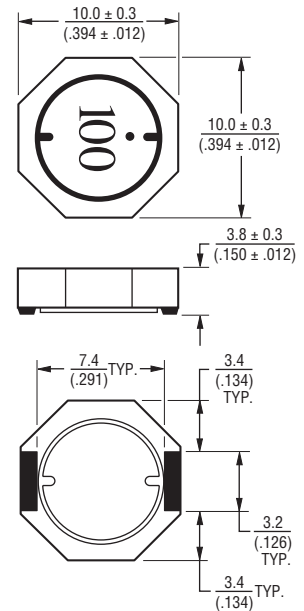
Electrical Schematic



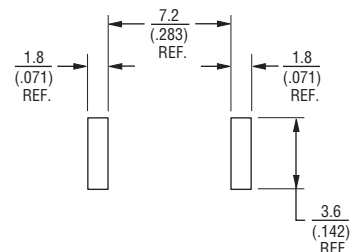
Inductor Connection



Product Dimensions



Recommended Layout

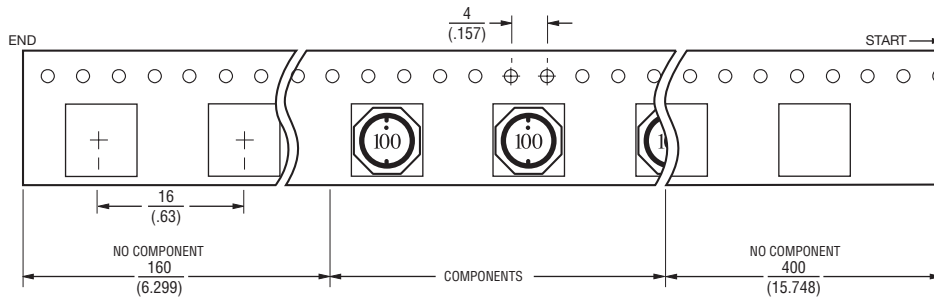
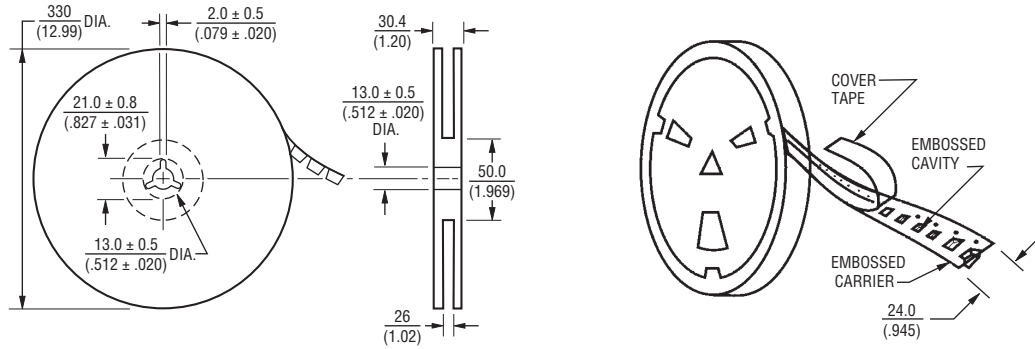


*RoHS Directive 2002/95/EC Jan. 27, 2003 including annex and RoHS Recast 2011/65/EU June 8, 2011. Specifications are subject to change without notice. Customers should verify actual device performance in their specific applications.

PM104SH Series - Shielded SMD Power Inductors

BOURNS®

Packaging Specifications



USER DIRECTION OF FEED
 QTY: 1000 PCS. PER REEL

DIMENSIONS: $\frac{\text{MM}}{\text{(INCHES)}}$

REV. 05/11

Specifications are subject to change without notice.
 Customers should verify actual device performance in their specific applications.