



Features

- Formerly J. W. Miller® model
- Available in E6 values
- Current rating to 2.78 amps
- RoHS compliant*

Applications

- Input/output of DC/DC converters
- Power supplies for:
 - Portable communication equipment
 - Camcorders
 - LCD TVs
 - Car radios

PM74SH Series - Shielded SMD Power Inductors

Electrical Specifications

Bourns Part No.	Inductance 100 kHz		Q Typ.	Test Frequency (MHz)	SRF Min. (MHz)	RDC Max. (Ω)	I rms Max. (A)	I sat Typ. (A)
	(μH)	Tol. %						
PM74SH-2R7M-RC	2.7	± 20	10	7.96	60	0.027	2.78	3.10
PM74SH-3R9M-RC	3.9	± 20	10	7.96	40	0.028	2.71	2.43
PM74SH-4R7M-RC	4.7	± 20	10	7.96	35	0.030	2.64	2.20
PM74SH-5R6M-RC	5.6	± 20	10	7.96	33	0.036	2.38	2.00
PM74SH-6R3M-RC	6.3	± 20	10	7.96	30	0.038	2.33	1.85
PM74SH-100M-RC	10	± 20	30	2.52	25	0.042	2.00	1.70
PM74SH-120M-RC	12	±20	27	2.52	23	0.050	1.85	1.40
PM74SH-150M-RC	15	± 20	31	2.52	24	0.062	1.60	1.35
PM74SH-180M-RC	18	±20	29	2.52	21	0.070	1.50	1.15
PM74SH-220M-RC	22	± 20	26	2.52	18	0.082	1.35	1.10
PM74SH-270M-RC	27	±20	25	2.52	18	0.110	1.25	1.00
PM74SH-330M-RC	33	± 20	25	2.52	12	0.115	1.15	0.90
PM74SH-390M-RC	39	±20	26	2.52	13	0.130	1.10	0.80
PM74SH-470M-RC	47	± 20	29	2.52	11	0.150	0.95	0.78
PM74SH-560M-RC	56	±20	21	2.52	11	0.200	0.85	0.65
PM74SH-680M-RC	68	± 20	22	2.52	10	0.210	0.77	0.60
PM74SH-820M-RC	82	± 20	22	2.52	9	0.280	0.70	0.60
PM74SH-101M-RC	100	± 20	40	0.796	8	0.300	0.65	0.50
PM74SH-121M-RC	120	±20	30	0.796	7	0.420	0.60	0.45
PM74SH-151M-RC	150	± 20	51	0.796	7	0.480	0.53	0.41
PM74SH-181M-RC	180	±20	52	0.796	5	0.660	0.475	0.375
PM74SH-221M-RC	220	± 20	44	0.796	5	0.700	0.45	0.36
PM74SH-271M-RC	270	±20	30	0.796	5	0.840	0.40	0.275
PM74SH-331M-RC	330	± 20	65	0.796	4	0.730	0.40	0.25
PM74SH-391M-RC	390	±20	27	0.796	5	1.200	0.35	0.225
PM74SH-471M-RC	470	± 20	80	0.796	3	1.100	0.32	0.22
PM74SH-561M-RC	560	±20	27	0.796	4	1.600	0.30	0.20
PM74SH-681M-RC	680	± 20	65	0.796	3	1.600	0.27	0.20
PM74SH-821M-RC	820	±20	26	0.796	3	2.200	0.25	0.175
PM74SH-102M-RC	1000	± 20	90	0.252	3	2.400	0.25	0.15

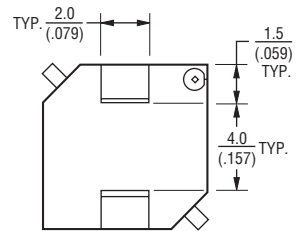
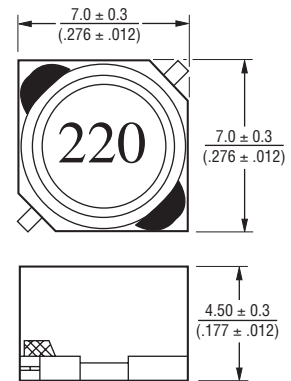
General Specifications

Test Voltage.....0.5 V
 Reflow Soldering .. 230 °C, 50 sec. max.
 Operating Temperature -40 °C to +125 °C
 (Temperature rise included)
 Storage Temperature .. -40 °C to +125 °C
 Resistance to Soldering Heat
 260 °C for 10 sec.

Materials

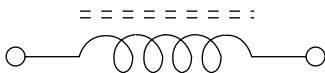
Core Ferrite DR and RI
 Wire Enameled copper wire 130
 Terminal Cu/Ni/Sn
 Rated Current
 Ind. drop 10 % typ. at Isat
 (-2R7M through -221M)
 Ind. drop 25 % typ. at Isat
 (-271M through -102M)
 Temperature Rise 30 °C max.
 at rated I rms
 Packaging 1000 pcs. per reel

Product Dimensions

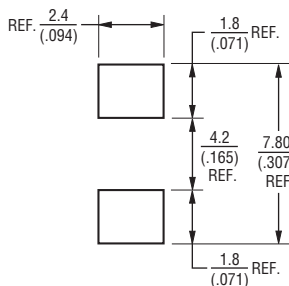


DIMENSIONS: $\frac{\text{MM}}{\text{(INCHES)}}$

Electrical Schematic



Recommended Layout

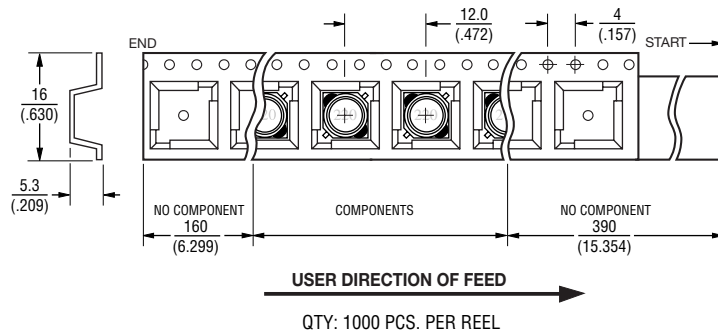
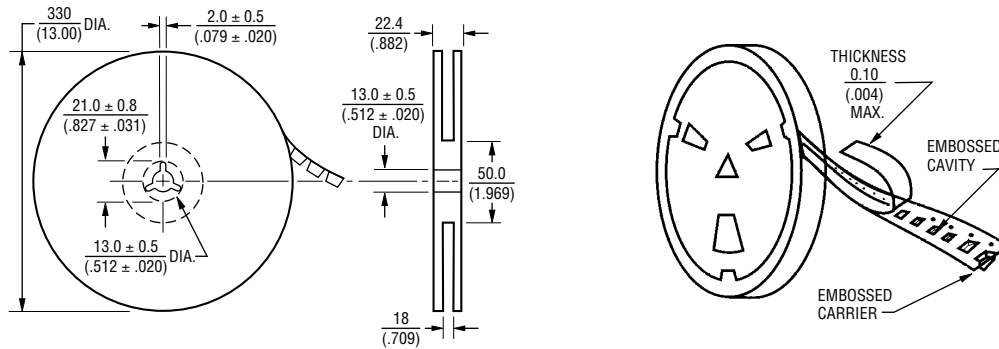


*RoHS Directive 2002/95/EC Jan. 27, 2003 including annex and RoHS Recast 2011/65/EU June 8, 2011.
 Specifications are subject to change without notice.
 Customers should verify actual device performance in their specific applications.

PM74SH Series - Shielded SMD Power Inductors

BOURNS®

Packaging Specifications



DIMENSIONS: $\frac{\text{MM}}{\text{(INCHES)}}$

REV. 05/11

Specifications are subject to change without notice.
Customers should verify actual device performance in their specific applications.