



Features

- Maximum height of 1.0 mm
- Current up to 1.45 A
- RoHS compliant*

Applications

- Input/output of DC/DC converters
- Power supplies for:
 - Portable communication equipment
 - Camcorders
 - LCD TVs
 - Car radios

SRU2009 Series - Shielded SMD Power Inductors

Electrical Specifications

Bourns Part No.	Inductance 100 KHz		Q Ref.	Test Frequency (MHz)	SRF Typ. (MHz)	RDC Max. (mΩ)	I rms Max. (A)	I sat Typ. (A)	Marking
	(μH)	Tol. %							
SRU2009-1R0Y	1.0	± 30	7	7.96	200	110	1.45	1.30	A
SRU2009-2R2Y	2.2	± 30	7	7.96	120	210	1.10	0.80	C
SRU2009-3R3Y	3.3	± 30	7	7.96	100	320	0.80	0.60	E
SRU2009-4R4Y	4.4	± 30	7	7.96	85	430	0.68	0.50	F
SRU2009-6R8Y	6.8	± 30	7	7.96	70	650	0.52	0.45	G
SRU2009-100Y	10	± 30	10	2.52	50	1080	0.40	0.35	H
SRU2009-150Y	15	± 30	10	2.52	40	1370	0.30	0.30	I
SRU2009-220Y	22	± 30	10	2.52	30	2600	0.22	0.22	J

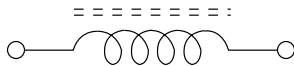
General Specifications

Test Voltage.....0.1 V
 Reflow Soldering ...230 °C, 50 sec. max.
 Operating Temperature ..-40 °C to +125 °C
 (Temperature rise included)
 Storage Temperature..-40 °C to +125 °C
 Resistance to Soldering Heat
260 °C for 10 sec.

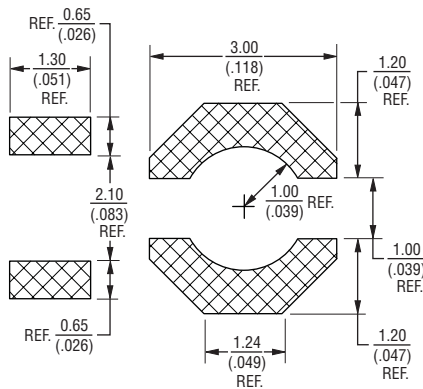
Materials

Core.....Ferrite DR and RI core
 Wire.....Enameled copper
 TerminalAg/Ni/Sn
 Rated Current
Ind. drop 35 % typ. at Isat
 Temperature Rise
40 °C max. at rated I rms
 Packaging.....1,500 pcs. per reel

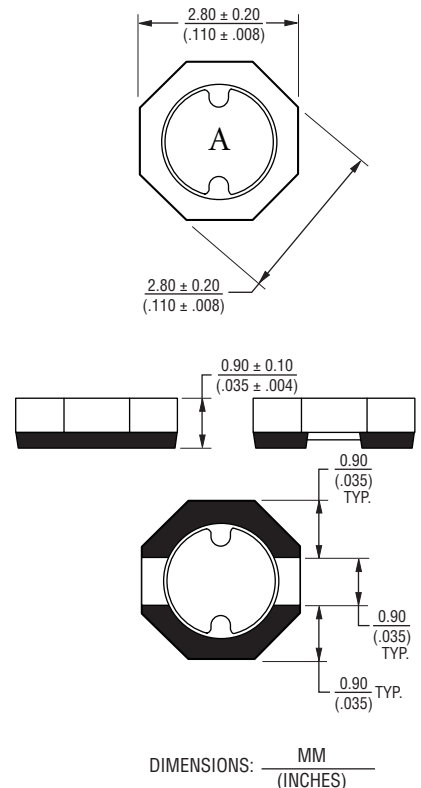
Electrical Schematic



Recommended Layout



Product Dimensions

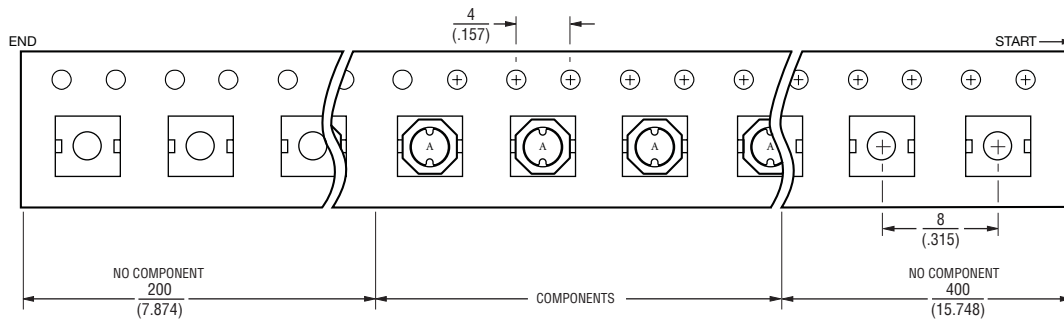
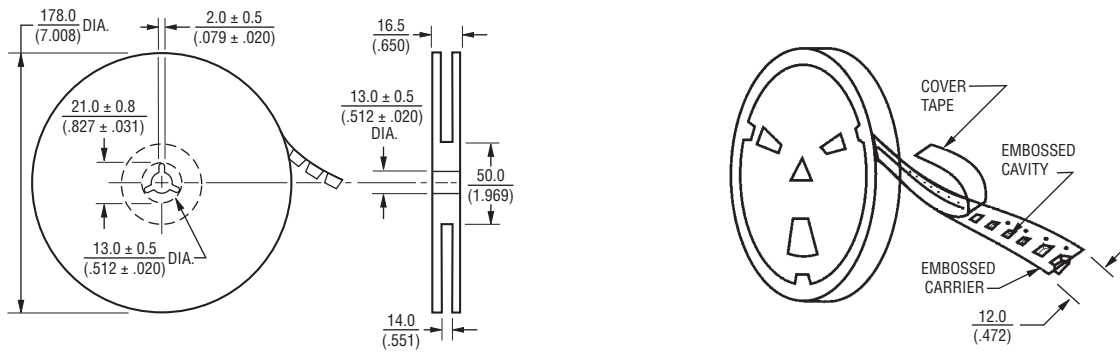


*RoHS Directive 2002/95/EC Jan 27, 2003 including Annex.
 Specifications are subject to change without notice.
 Customers should verify actual device performance in their specific applications.

SRU2009 Series - Shielded SMD Power Inductors

BOURNS®

Packaging Specifications



USER DIRECTION OF FEED →

QTY: 1,500 PCS. PER REEL

DIMENSIONS: $\frac{\text{MM}}{\text{(INCHES)}}$