

Features

- Maximum height of 1.8 mm
- Current up to 2.2 A
- RoHS compliant*

Applications

- Input/output of DC/DC converters
- Power supplies for:
 - Portable communication equipment
 - Camcorders
 - LCD TVs
 - Car radios

SRU2016 Series - Shielded SMD Power Inductors

Electrical Specifications

Bourns Part No.	Inductance 100 KHz		Q Ref.	Test Frequency (MHz)	SRF Typ. (MHz)	RDC Max. (mΩ)	I rms Max. (A)	I sat Typ. (A)	Marking
	(μH)	Tol. %							
SRU2016-1R0Y	1.0	± 30	8	7.96	250	60	2.20	1.60	A
SRU2016-2R2Y	2.2	± 30	8	7.96	120	105	1.60	1.00	C
SRU2016-3R0Y	3.0	± 30	8	7.96	90	135	1.50	0.87	E
SRU2016-4R7Y	4.7	± 30	8	7.96	80	215	1.15	0.74	F
SRU2016-6R0Y	6.0	± 30	9	7.96	70	250	0.90	0.63	G
SRU2016-100Y	10	± 30	9	2.52	45	430	0.87	0.52	H
SRU2016-150Y	15	± 30	10	2.52	40	650	0.60	0.40	I
SRU2016-220Y	22	± 30	12	2.52	30	990	0.43	0.37	J
SRU2016-330Y	33	± 30	12	2.52	20	1470	0.41	0.29	K
SRU2016-470Y	47	± 30	15	2.52	20	1650	0.31	0.22	L
SRU2016-680Y	68	± 30	18	2.52	15	3510	0.22	0.17	M
SRU2016-101Y	100	± 30	8	2.52	10	4900	0.19	0.15	N

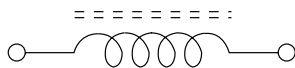
General Specifications

Test Voltage.....0.1 V
 Reflow Soldering ...230 °C, 50 sec. max.
 Operating Temperature ..-40 °C to +125 °C
 (Temperature rise included)
 Storage Temperature...-40 °C to +125 °C
 Resistance to Soldering Heat
260 °C for 10 sec.

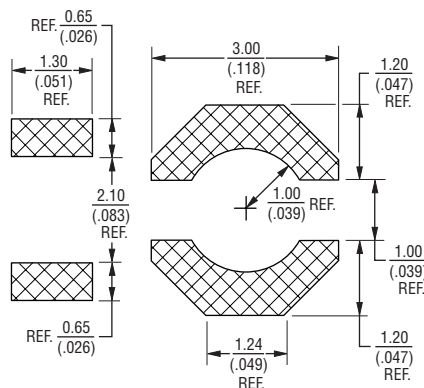
Materials

Core.....Ferrite DR and RI core
 WireEnameled copper
 TerminalAg/Ni/Sn
 Rated Current
Ind. drop 35 % typ. at Isat
 Temperature Rise
40 °C max. at rated I rms
 Packaging.....1,000 pcs. per reel

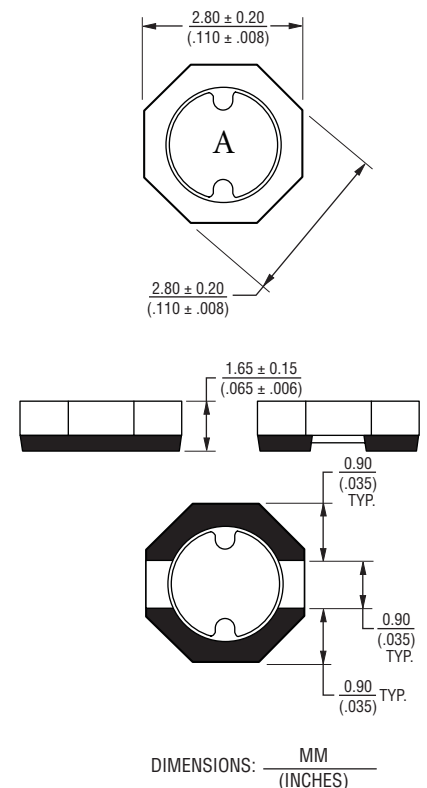
Electrical Schematic



Recommended Layout



Product Dimensions

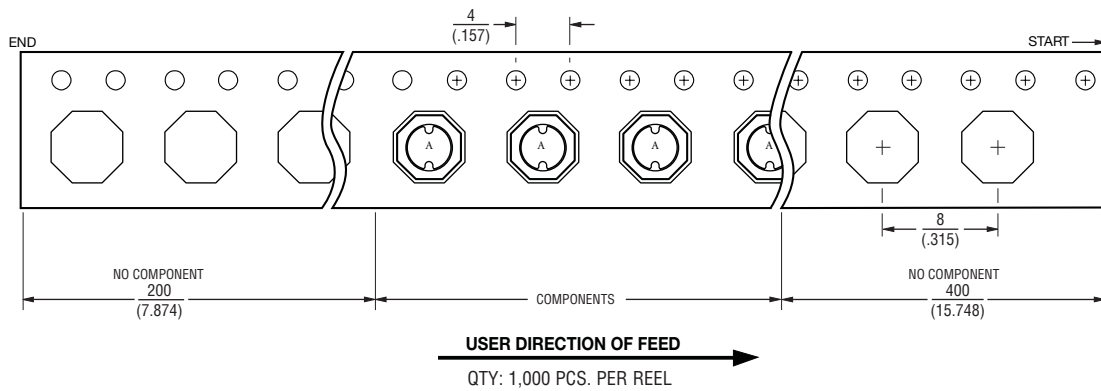
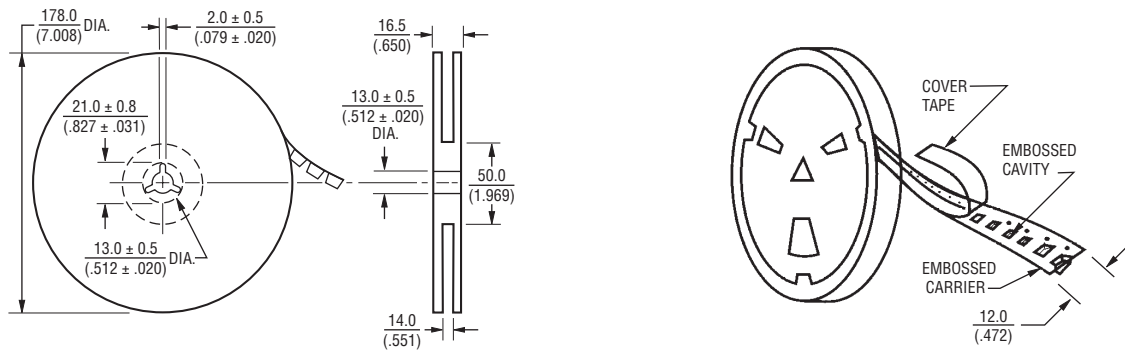


*RoHS Directive 2002/95/EC Jan 27, 2003 including Annex.
 Specifications are subject to change without notice.
 Customers should verify actual device performance in their specific applications.

SRU2016 Series - Shielded SMD Power Inductors

BOURNS®

Packaging Specifications



DIMENSIONS: $\frac{\text{MM}}{\text{(INCHES)}}$