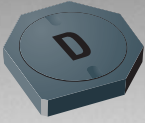


\*RoHS COMPLIANT



**BOURNS®**

### Features

- Available in E6 series
- Unit height of 1.1 mm
- Current up to 1.1 A
- RoHS compliant\*

### Applications

- Input/output of DC/DC converters
- Power supplies for:
  - Portable communication equipment
  - Camcorders
  - LCD TVs
  - Car radios

## SRU3011 Series - Shielded SMD Power Inductors

### Electrical Specifications

Bourns Part No.	Inductance 100 KHz		Q Ref.	Test Frequency (MHz)	SRF Min. (MHz)	RDC (mΩ)	I rms Max. (A)	I sat Typ. (A)	Marking
	(μH)	Tol. %							
SRU3011-1R5Y	1.5	± 30	7	7.96	180	57	1.10	1.00	A
SRU3011-2R2Y	2.2	± 30	7	7.96	150	80	0.92	0.90	B
SRU3011-3R3Y	3.3	± 30	8	7.96	120	116	0.84	0.78	C
SRU3011-4R7Y	4.7	± 30	8	7.96	90	178	0.63	0.62	D
SRU3011-6R8Y	6.8	± 30	7	7.96	85	245	0.50	0.46	E
SRU3011-100Y	10.0	± 30	8	2.52	60	340	0.40	0.35	F

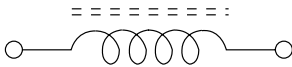
### General Specifications

Test Voltage.....0.1 V  
 Reflow Soldering ...230 °C, 50 sec. max.  
 Operating Temperature  
 .....-40 °C to +125 °C  
 (Temperature rise included)  
 Storage Temperature...-40 °C to +125 °C  
 Resistance to Soldering Heat  
 .....260 °C for 10 sec.

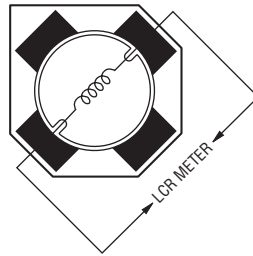
### Materials

Core.....Ferrite DR and RI core  
 Wire.....Enameled copper  
 Terminal .....Ag/Ni/Sn  
 Rated Current  
 .....Ind. drop 35 % typ. at Isat  
 Temperature Rise  
 .....40 °C max. at rated Irms  
 Packaging.....1500 pcs. per reel

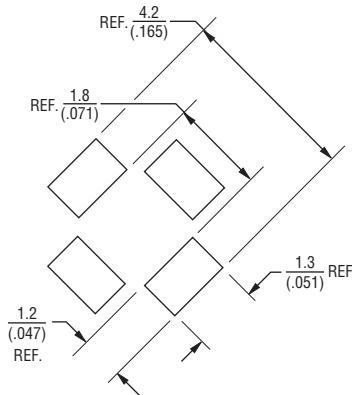
### Electrical Schematic



### Inductor Connection

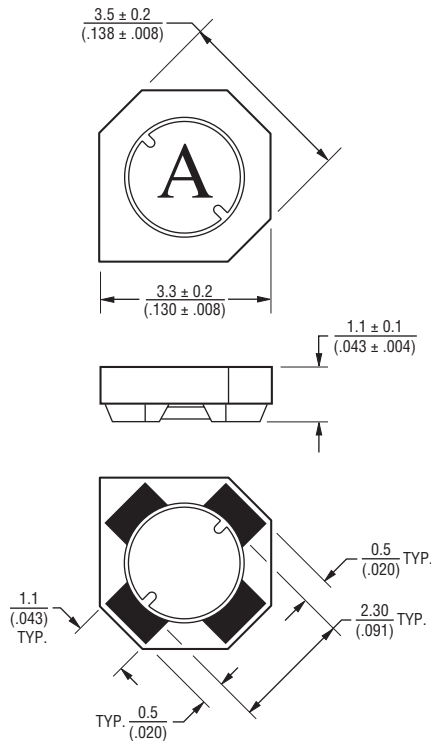


### Recommended Layout



DIMENSIONS:  $\frac{\text{MM}}{\text{(INCHES)}}$

### Product Dimensions

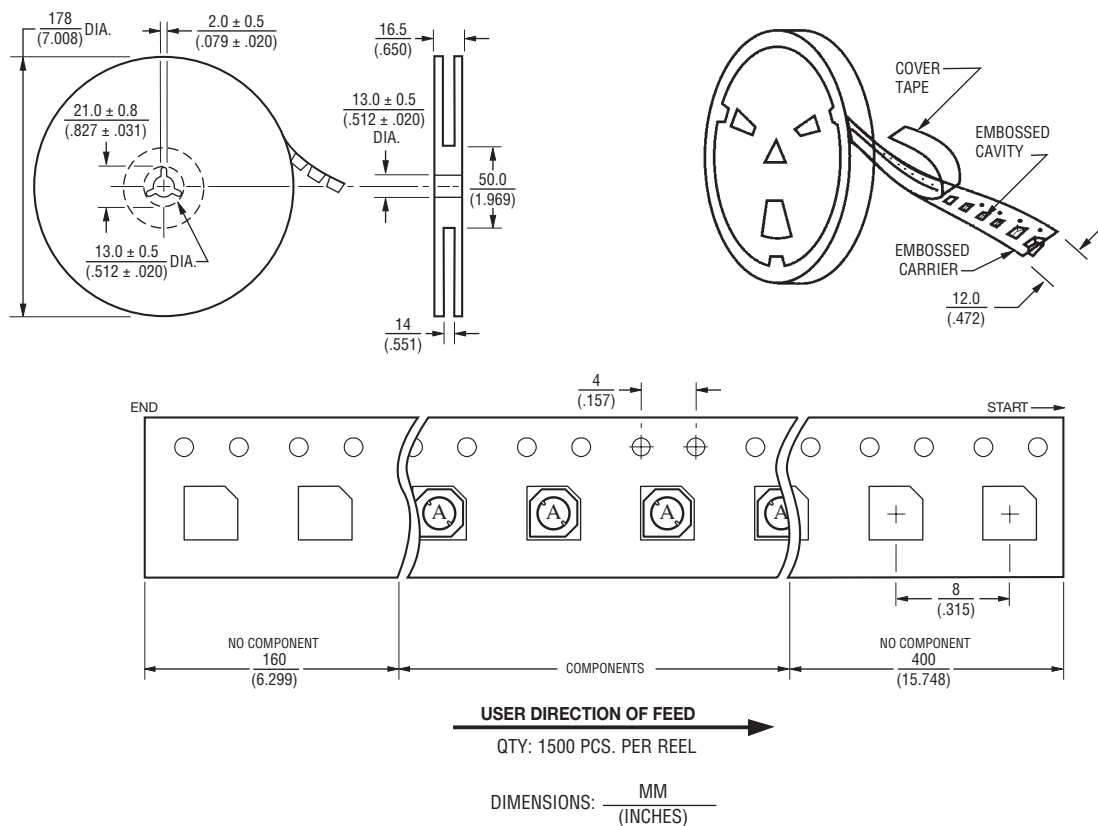


\*RoHS Directive 2002/95/EC Jan 27, 2003 including Annex. Specifications are subject to change without notice. Customers should verify actual device performance in their specific applications.

# SRU3011 Series - Shielded SMD Power Inductors

**BOURNS®**

## Packaging Specifications



REV. 05/11

Specifications are subject to change without notice.

Customers should verify actual device performance in their specific applications.