



### Features

- Available in E6 series
- Unit height of 1.8 mm
- Current up to 1.7 A
- RoHS compliant\*

### Applications

- Input/output of DC/DC converters
- Power supplies for:
  - Portable communication equipment
  - Camcorders
  - LCD TVs
  - Car radios

## SRU3017 Series - Shielded SMD Power Inductors

### Electrical Specifications

Bourns Part No.	Inductance 100 KHz		Q Ref.	Test Frequency (MHz)	SRF Typ. (MHz)	RDC (mΩ)	I <sub>rms</sub> Max. (A)	I <sub>sat</sub> Typ. (A)
	(μH)	Tol. %						
SRU3017-2R2Y	2.2	± 30	8	7.96	100	35	1.70	0.98
SRU3017-3R3Y	3.3	± 30	8	7.96	80	55	1.45	0.80
SRU3017-4R7Y	4.7	± 30	10	7.96	60	68	1.10	0.63
SRU3017-6R8Y	6.8	± 30	10	7.96	50	85	1.00	0.53
SRU3017-100Y	10.0	± 30	15	7.96	40	120	0.85	0.47
SRU3017-150Y	15.0	± 30	20	2.52	35	175	0.68	0.35
SRU3017-220Y	22.0	± 30	20	2.52	30	250	0.60	0.30
SRU3017-330Y	33.0	± 30	20	2.52	20	430	0.47	0.25
SRU3017-470Y	47.0	± 30	18	2.52	18	540	0.36	0.21

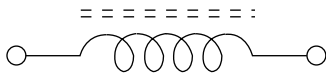
### General Specifications

Test Voltage ..... 0.1 V  
 Reflow Soldering .. 230 °C, 50 sec. max.  
 Operating Temperature ..... -40 °C to +125 °C  
 (Temperature rise included)  
 Storage Temperature ..... -40 °C to +125 °C  
 Resistance to Soldering Heat ..... 260 °C for 10 sec.  
 Rated Current ..... Ind. drop 35 % typ. at I<sub>sat</sub>  
 Temperature Rise ..... 30 °C max. at rated I<sub>rms</sub>

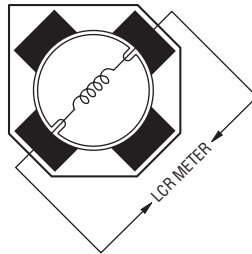
### Materials

Core ..... Ferrite DR and RI core  
 Wire ..... Enameled copper (Class F)  
 Terminal ..... Ag/Ni/Sn  
 Packaging ..... 800 pcs. per reel

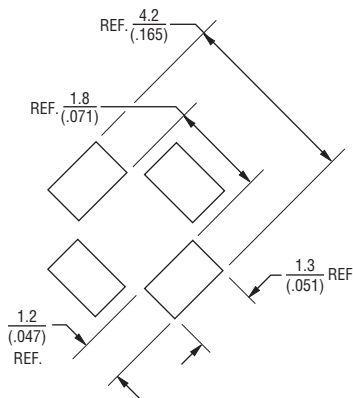
### Electrical Schematic



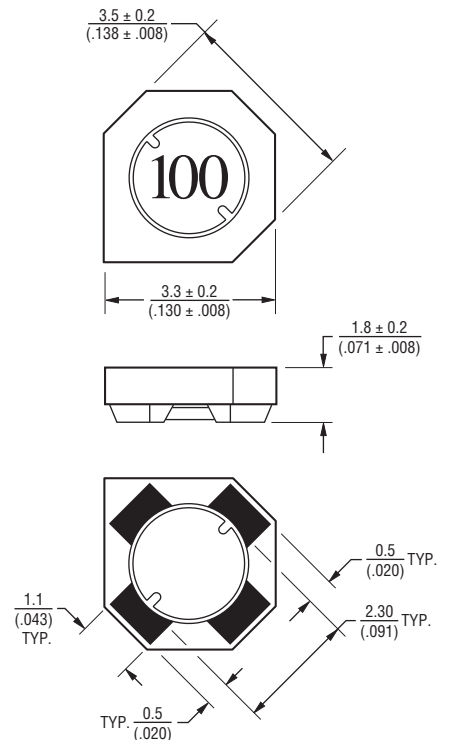
### Inductor Connection



### Recommended Layout



### Product Dimensions



DIMENSIONS:  $\frac{\text{MM}}{\text{(INCHES)}}$



#### Asia-Pacific:

Tel: +886-2 2562-4117  
 Fax: +886-2 2562-4116

#### Europe:

Tel: +41-41 768 5555  
 Fax: +41-41 768 5510

#### The Americas:

Tel: +1-951 781-5500  
 Fax: +1-951 781-5700

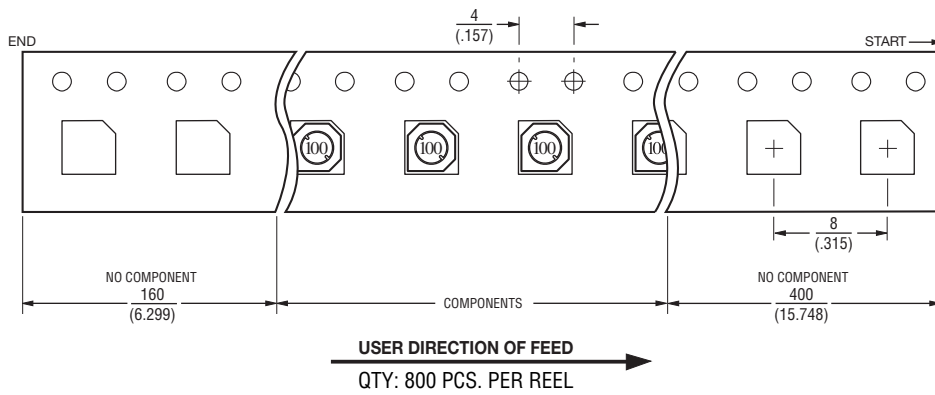
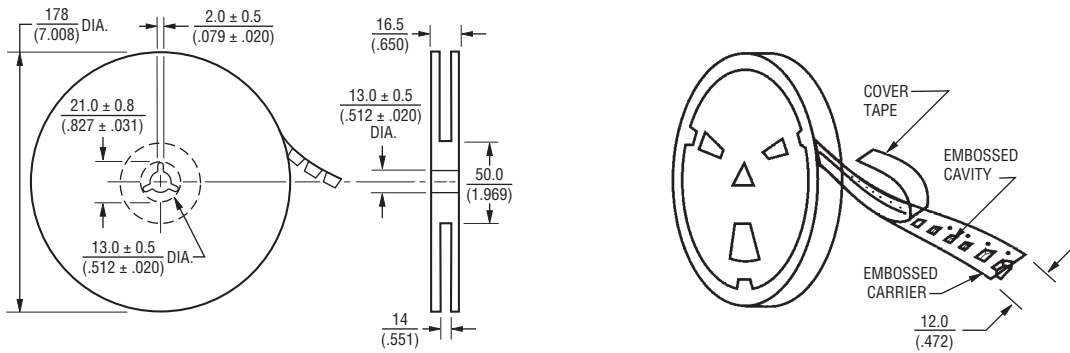
[www.bourns.com](http://www.bourns.com)

\* RoHS Directive 2002/95/EC Jan. 27, 2003 including annex and RoHS Recast 2011/65/EU June 8, 2011. Specifications are subject to change without notice. Customers should verify actual device performance in their specific applications.

# SRU3017 Series - Shielded SMD Power Inductors

**BOURNS®**

## Packaging Specifications



DIMENSIONS:  $\frac{\text{MM}}{\text{(INCHES)}}$

REV. 09/12

Specifications are subject to change without notice.  
Customers should verify actual device performance in their specific applications.