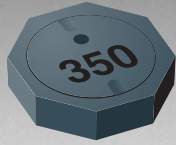


*RoHS COMPLIANT



BOURNS®

Features

- Available in E6 series
- Unit height of 1.6 mm
- Current up to 1.8 A
- RoHS compliant*

Applications

- Input/output of DC/DC converters
- Power supplies for:
 - Portable communication equipment
 - Camcorders
 - LCD TVs
 - Car radios

SRU5016 Series - Shielded SMD Power Inductors

Electrical Specifications

| Bourns Part No. | Inductance 100 KHz | | Q Ref. | Test Frequency (MHz) | SRF Min. (MHz) | RDC (mΩ) | I rms Max. (A) | I sat Typ. (A) |
|-----------------|--------------------|--------|--------|----------------------|----------------|----------|----------------|----------------|
| | (μH) | Tol. % | | | | | | |
| SRU5016-1R8Y | 1.8 | ± 30 | 9 | 7.96 | 100 | 24 | 1.75 | 1.70 |
| SRU5016-3R3Y | 3.3 | ± 30 | 9 | 7.96 | 80 | 35 | 1.55 | 1.50 |
| SRU5016-4R7Y | 4.7 | ± 30 | 9 | 7.96 | 60 | 43 | 1.30 | 1.20 |
| SRU5016-6R8Y | 6.8 | ± 30 | 8 | 7.96 | 50 | 50 | 1.20 | 1.10 |
| SRU5016-100Y | 10.0 | ± 30 | 15 | 2.52 | 40 | 84 | 1.00 | 0.90 |
| SRU5016-150Y | 15.0 | ± 30 | 15 | 2.52 | 32 | 130 | 0.80 | 0.72 |
| SRU5016-220Y | 22.0 | ± 30 | 15 | 2.52 | 28 | 195 | 0.65 | 0.56 |
| SRU5016-330Y | 33.0 | ± 30 | 13 | 2.52 | 22 | 300 | 0.54 | 0.50 |
| SRU5016-470Y | 47.0 | ± 30 | 18 | 2.52 | 18 | 390 | 0.46 | 0.42 |
| SRU5016-680Y | 68.0 | ± 30 | 18 | 2.52 | 15 | 560 | 0.36 | 0.33 |
| SRU5016-101Y | 100.0 | ± 30 | 18 | 0.796 | 12 | 850 | 0.30 | 0.27 |

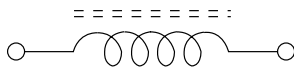
General Specifications

Test Voltage.....0.1 V
 Reflow Soldering ...230 °C, 50 sec. max.
 Operating Temperature
-40 °C to +125 °C
 (Temperature rise included)
 Storage Temperature...-40 °C to +125 °C
 Resistance to Soldering Heat
260 °C for 10 sec.

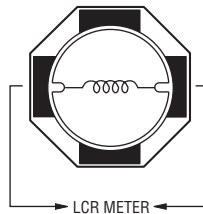
Materials

Core.....Ferrite DR and RI core
 Wire.....Enameled copper
 TerminalAg/Ni/Sn
 Rated Current
Ind. drop 35 % typ. at Isat
 Temperature Rise
40 °C max. at rated Irms
 Packaging.....1000 pcs. per reel

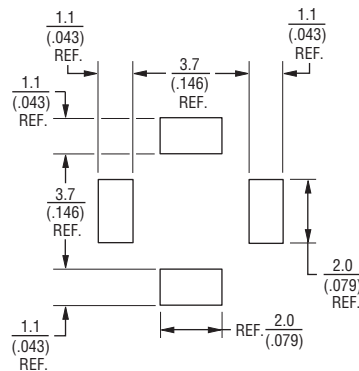
Electrical Schematic



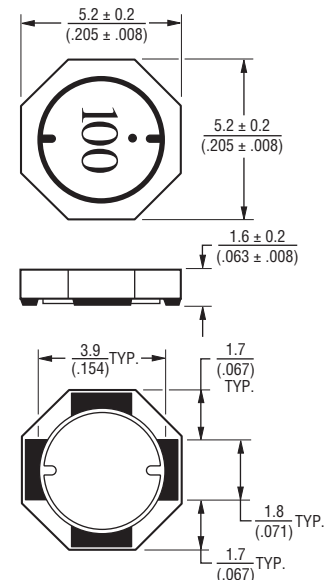
Inductor Connection



Recommended Layout



Product Dimensions



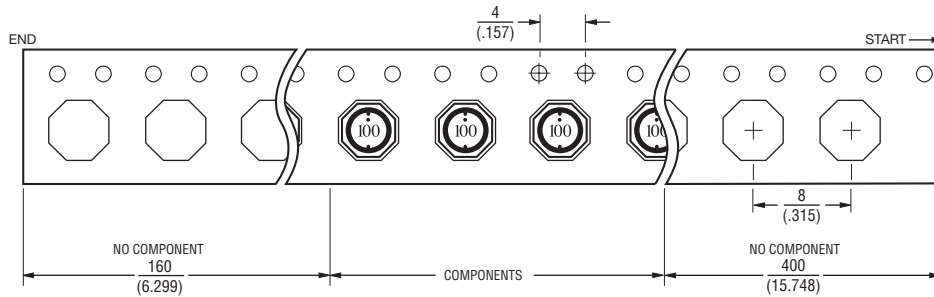
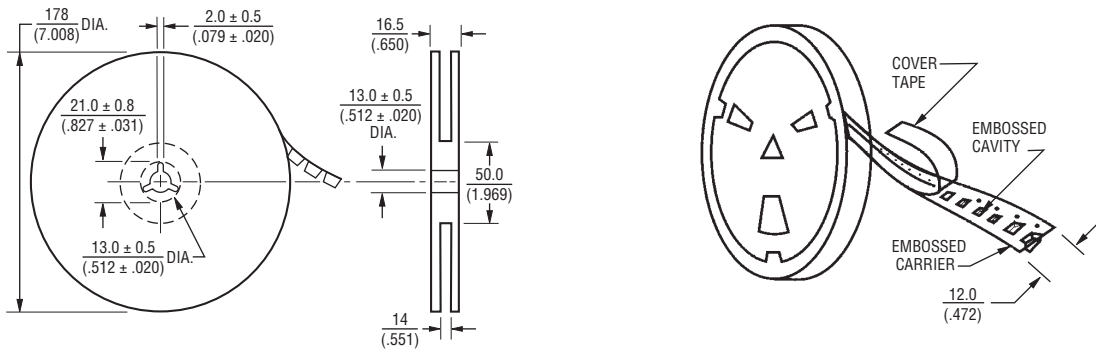
DIMENSIONS: $\frac{\text{MM}}{\text{(INCHES)}}$

*RoHS Directive 2002/95/EC Jan 27, 2003 including Annex. Specifications are subject to change without notice. Customers should verify actual device performance in their specific applications.

SRU5016 Series - Shielded SMD Power Inductors

BOURNS®

Packaging Specifications



USER DIRECTION OF FEED

QTY: 1,000 PCS. PER REEL

DIMENSIONS: $\frac{\text{MM}}{\text{(INCHES)}}$