



Features

- Available in E6 series
- Unit height of 2.8 mm
- Current up to 7 A
- RoHS compliant*

Applications

- Input/output of DC/DC converters
- Power supplies for:
 - Portable communication equipment
 - Camcorders
 - LCD TVs
 - Car radios

SRU8028 Series - Shielded SMD Power Inductors

Electrical Specifications

Bourns Part No.	Inductance 100 KHz		Q Ref.	Test Frequency (MHz)	SRF Typ. (MHz)	RDC (mΩ)	I _{rms} Max. (A)	I _{sat} Typ. (A)
	(μH)	Tol. %						
SRU8028-1R0Y	1.0	± 30	12	7.96	66.0	10.1	7.00	5.50
SRU8028-2R5Y	2.5	± 30	15	7.96	65.0	13.6	4.50	4.20
SRU8028-3R3Y	3.3	± 30	12	7.96	60.0	17.5	3.60	3.50
SRU8028-4R7Y	4.7	± 30	15	7.96	50.0	20.0	3.70	3.20
SRU8028-6R8Y	6.8	± 30	13	7.96	40.0	34.0	2.80	2.50
SRU8028-8R2Y	8.2	± 30	17	7.96	37.0	54.0	2.60	2.30
SRU8028-100Y	10.0	± 30	22	2.52	35.0	45.0	2.60	2.20
SRU8028-120Y	12.0	± 30	21	2.52	30.0	76.0	2.20	2.00
SRU8028-150Y	15.0	± 30	20	2.52	25.0	66.0	2.00	1.70
SRU8028-220Y	22.0	± 30	22	2.52	20.0	106	1.60	1.50
SRU8028-330Y	33.0	±30	20	2.52	15.0	147	1.30	1.10
SRU8028-470Y	47.0	±30	14	2.52	12.0	177	1.20	1.00
SRU8028-680Y	68.0	±30	23	2.52	9.0	317	0.85	0.80
SRU8028-101Y	100.0	±30	35	0.796	8.0	390	0.75	0.70

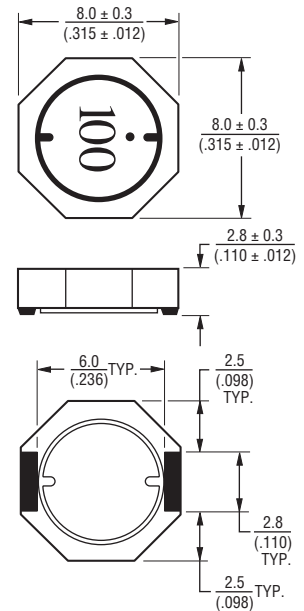
General Specifications

Test Voltage 1 V
 Reflow Soldering .. 230 °C, 50 sec. max.
 Operating Temperature -40 °C to +125 °C
 (Temperature rise included)
 Storage Temperature -40 °C to +125 °C
 Resistance to Soldering Heat 260 °C for 10 sec.
 Rated Current Ind. drop 35 % typ. at I_{sat}
 Temperature Rise 40 °C max. at rated I_{rms}

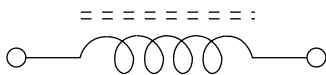
Materials

Core Ferrite DR and RI core
 Wire Enameled copper
 Terminal Ag/Ni/Sn
 Packaging 1500 pcs. per reel

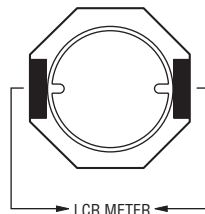
Product Dimensions



Electrical Schematic



Inductor Connection



Asia-Pacific:

Tel: +886-2 2562-4117

Fax: +886-2 2562-4116

Europe:

Tel: +41-41 768 5555

Fax: +41-41 768 5510

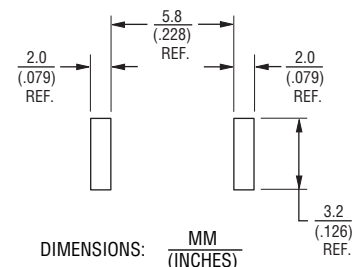
The Americas:

Tel: +1-951 781-5500

Fax: +1-951 781-5700

www.bourns.com

Recommended Layout

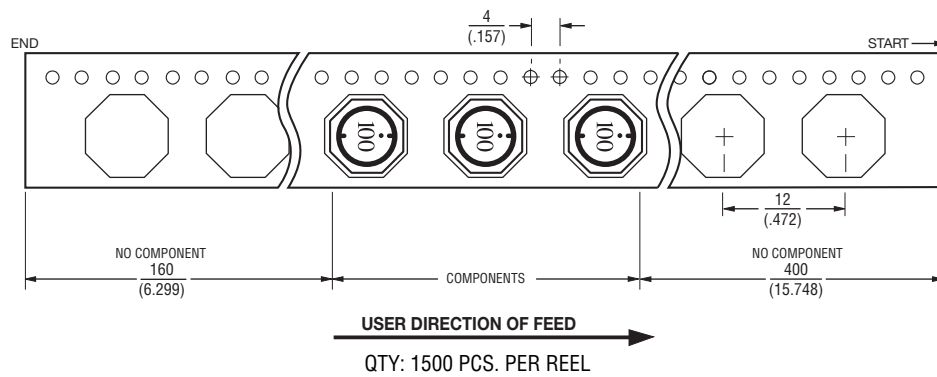
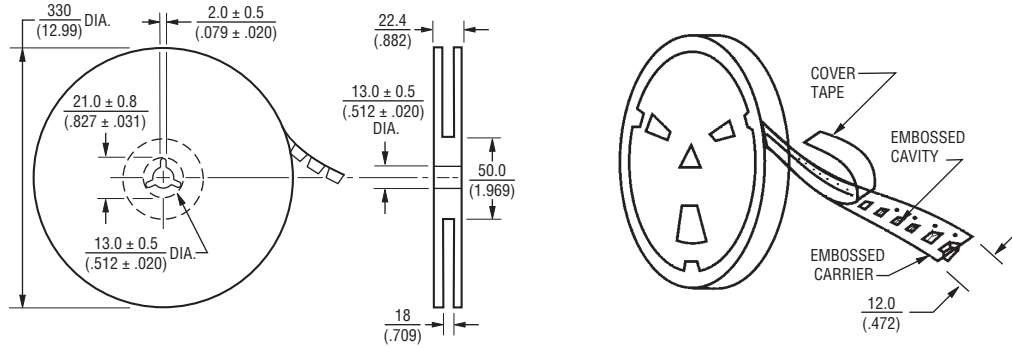


* RoHS Directive 2002/95/EC Jan. 27, 2003 including annex and RoHS Recast 2011/65/EU June 8, 2011. Specifications are subject to change without notice. Customers should verify actual device performance in their specific applications.

SRU8028 Series - Shielded SMD Power Inductors

BOURNS®

Packaging Specifications



DIMENSIONS: $\frac{\text{MM}}{\text{(INCHES)}}$

REV. 12/12

Specifications are subject to change without notice.
Customers should verify actual device performance in their specific applications.