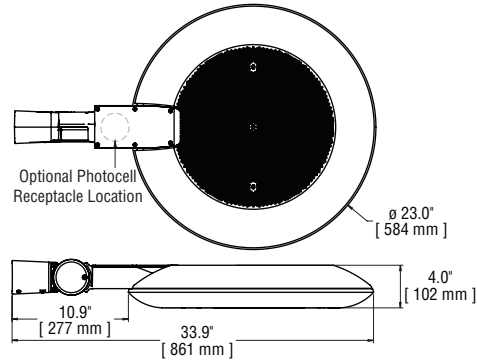


BetaLED Catalog #: FLD - EDR - 40 - AA - - D - - - - -



Notes:

| Product | Family | Optic | Mounting | # of LEDs (x 10) | LED SERIES | Voltage | Color Options | Drive Current Not Field Adjustable | Factory-Installed Options Please type additional options in manually on the lines provided above. |
|---------|--------|-------|-----------------|---|------------|--|---|--|---|
| FLD | EDR | 40° | AA ² | <input type="checkbox"/> 04 ³ <input type="checkbox"/> 06 ³ <input type="checkbox"/> 08 ³ <input type="checkbox"/> 10 ³ <input type="checkbox"/> 12 | D | <input type="checkbox"/> UL Universal 120–277V <input type="checkbox"/> UH Universal 347–480V <input type="checkbox"/> 12 120V <input type="checkbox"/> 20 208V <input type="checkbox"/> 24 240V <input type="checkbox"/> 27 277V <input type="checkbox"/> 34 347V <input type="checkbox"/> 48 480V | <input type="checkbox"/> SV Silver (Standard) <input type="checkbox"/> BK Black <input type="checkbox"/> BZ Bronze <input type="checkbox"/> PB Platinum Bronze <input type="checkbox"/> WH White | <input type="checkbox"/> 350 350mA <input type="checkbox"/> 525 525mA <input type="checkbox"/> 700 ⁴ 700mA | <input type="checkbox"/> 40K 4000K Color Temperature ⁵ <input type="checkbox"/> DIM 0–10V Dimming ^{6,7,8} <input type="checkbox"/> F Fuse ^{9,10,11} <input type="checkbox"/> HL Hi/Low (175/350/525, dual circuit input) ^{12,13} <input type="checkbox"/> P Photocell ^{11,14} <input type="checkbox"/> R NEMA Photocell Receptacle ^{11,15,16} <input type="checkbox"/> ML Multi-Level (175/525) ¹³ |

Footnotes

- Distribution similar to flood (40°)
- Adjustable arm for mounting to 2" (2-3/8" [60mm] O.D.) tenon
- Consists of multiple 20 LED light bars. 40, 60, 80 and 100 LED units use blanks as needed in place of populated light bars
- Available on fixtures with 40–60 LEDs
- Color temperature per fixture; 5700K standard; minimum 70 CRI
- Control by others
- Refer to dimming spec sheet for availability and additional information
- Can't exceed specified drive current
- When code dictates fusing use time delay fuse
- Not available when UH, 34, or 48 voltage is selected
- Not available with all multi-level options. Refer to multi-level spec sheets for availability and additional information
- Sensor not included
- Refer to multi-level spec sheet for availability and additional information
- Must specify voltage other than UL or UH
- Intended for horizontal mounting
- Photocell not included

LED PERFORMANCE SPECS

| # of LEDs | Initial Delivered Lumens – 40° Optic @ 5700K | Initial Delivered Lumens – 40° Optic @ 4000K | System Watts 120–480V | Total Current @ 120V | Total Current @ 208V | Total Current @ 240V | Total Current @ 277V | Total Current @ 347V | Total Current @ 480V | L ₇₀ Hours* @ 25° C (77° F) | 50K Hours Lumen Maintenance Factor* @ 15° C (59° F) |
|---|--|--|-----------------------|----------------------|----------------------|----------------------|----------------------|----------------------|----------------------|--|---|
| 350mA Fixture Operating at 25° C (77° F) | | | | | | | | | | | |
| 40 ³ | 4,472 (04) | 4,122 (04) | 47 | 0.40 | 0.24 | 0.21 | 0.19 | 0.15 | 0.12 | >150,000 | 93% |
| 60 ⁴ | 6,622 (06) | 6,103 (06) | 68 | 0.58 | 0.34 | 0.30 | 0.26 | 0.20 | 0.16 | >150,000 | |
| 80 ³ | 8,829 (08) | 8,137 (08) | 90 | 0.77 | 0.44 | 0.38 | 0.34 | 0.26 | 0.20 | >150,000 | |
| 100 ³ | 11,009 (10) | 10,146 (10) | 111 | 0.95 | 0.55 | 0.47 | 0.42 | 0.32 | 0.24 | >150,000 | |
| 120 | 13,210 (12) | 12,175 (12) | 132 | 1.15 | 0.66 | 0.56 | 0.50 | 0.38 | 0.28 | >150,000 | |
| 525mA Fixture Operating at 25° C (77° F) | | | | | | | | | | | |
| 40 ³ | 6,261 (04) | 5,771 (04) | 70 | 0.57 | 0.33 | 0.29 | 0.26 | 0.21 | 0.16 | 136,000 | 92% |
| 60 ⁴ | 9,271 (06) | 8,544 (06) | 102 | 0.87 | 0.50 | 0.44 | 0.39 | 0.30 | 0.22 | 129,000 | |
| 80 ³ | 12,361 (08) | 11,392 (08) | 133 | 1.14 | 0.65 | 0.56 | 0.49 | 0.39 | 0.29 | 129,000 | |
| 100 ³ | 15,412 (10) | 14,205 (10) | 172 | 1.47 | 0.85 | 0.75 | 0.67 | 0.51 | 0.38 | 128,000 | |
| 120 | 18,495 (12) | 17,045 (12) | 204 | 1.76 | 1.01 | 0.88 | 0.78 | 0.60 | 0.44 | 128,000 | |
| 700mA Fixture Operating at 25° C (77° F) | | | | | | | | | | | |
| 40 | 7,648 (04) | 7,048 (04) | 93 | 0.79 | 0.45 | 0.40 | 0.35 | 0.27 | 0.20 | 111,000 | 90% |
| 60 | 11,323 (06) | 10,436 (06) | 137 | 1.18 | 0.67 | 0.59 | 0.51 | 0.39 | 0.29 | 111,000 | |

* For recommended lumen maintenance factor data see TD-13



General Description

Slim, low profile design minimizes wind load requirements. Luminaire housing is rugged cast aluminum with integral, weather-tight LED driver compartments, spun aluminum vented cover and high performance aluminum heatsinks. Adjustable mounting arm is rugged die cast aluminum and mounts to a 2" (51mm), 2-3/8" [60mm] OD tenon. Five year limited warranty on fixture.

Electrical

Modular design accommodates varied lighting output from high power, white, 5700K (+/- 500K per full fixture), minimum 70 CRI, long life LED sources. Optional 4000K (+/- 300K per full fixture) 120-277V 50/60 Hz, Class 1 LED drivers are standard. 347-480V 50/60 Hz driver is optional. LED drivers have power factor >90% and THD <20% at full load. Integral weather-tight electrical box with terminal strip for easy power hook-up. Units provided with integral 10kV surge suppression protection standard. Surge protection tested in accordance with IEEE C62.41.2 and ANSI standard 62.41.2.

Testing & Compliance

UL listed in the U.S. and Canada for wet locations. Enclosure classified IP66 per IEC 60529 when ordered without the P or R options. Consult factory for CE Certified products. RoHS compliant.



Finish

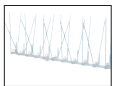
Exclusive Colorfast DeltaGuard® finish features an E-Coat epoxy primer with an ultra-durable silver powder topcoat, providing excellent resistance to corrosion, ultraviolet degradation and abrasion. Bronze, black, white and platinum bronze powder topcoats are also available. The finish is covered by our 10 year limited warranty.

Fixture and finish are endurance tested to withstand 5,000 hours of elevated ambient salt fog conditions as defined in ASTM Standard B 117.

Patents

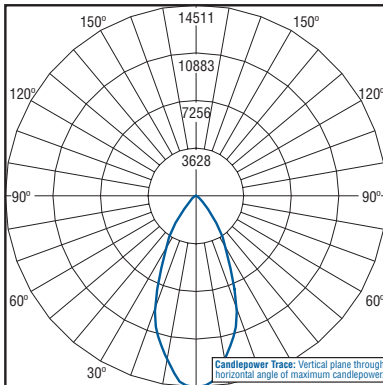
U.S. and international patents granted and pending. BetaLED is a division of Ruud Lighting, Inc. For a listing of Ruud Lighting, Inc. patents, visit www.uspto.gov.

Field-Installed Accessories

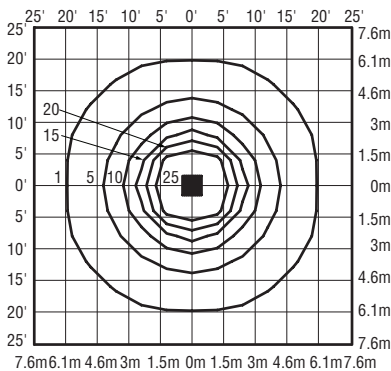


Bird Spikes
 XA-BRDSPK

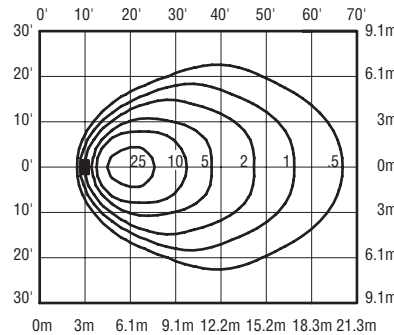
Photometrics



Independent Testing Laboratories certified test. Report No. ITL71547. Candlepower trace of a 4000K, 60 LED 40° flood optic flood EDGE round luminaire with 10,577 initial delivered lumens operating at 700mA. **All published luminaire photometric testing performed to IESNA LM-79-08 standards.**



Isofootcandle plot of 4000K, 60 LED, 40° flood EDGE round luminaire at 20' (6.1m) A.F.G. Luminaire with 10,436 initial delivered lumens operating at 700mA. Initial FC at grade.



Isofootcandle plot of 4000K, 60 LED, 40° flood EDGE round luminaire at 10' (3m) A.F.G. w/ 60° tilt Luminaire with 10,436 initial delivered lumens operating at 700mA. Initial FC at grade.

THE EDGE® EPA & Weight Calculations

| # of LEDs | Approximate Weight | | 2@ 180° | | 3@ 90° | | 3@ 120° | | 4@ 90° | |
|--|--------------------|--------|---------|------|--------|------|---------|-----|--------|-----|
| | 120-480V' | Single | | | | | | | | |
| | | | ■ | ■-■ | ■-■ | ■-■ | ■-■ | ■-■ | ■-■ | ■-■ |
| Adjustable Fitter Mount 0° (horizontal) | | | | | | | | | | |
| 40 | 35.9 lbs. (16.3kg) | 0.60 | 1.20 | 0.93 | 1.53 | 1.37 | 1.69 | | | |
| 60 | 37.0 lbs. (16.8kg) | 0.60 | 1.20 | 0.93 | 1.53 | 1.37 | 1.69 | | | |
| 80 | 38.6 lbs. (17.5kg) | 0.60 | 1.20 | 0.93 | 1.53 | 1.37 | 1.69 | | | |
| 100 | 39.7 lbs. (18.0kg) | 0.60 | 1.20 | 0.93 | 1.53 | 1.37 | 1.69 | | | |
| 120 | 41.4 lbs. (18.8kg) | 0.60 | 1.20 | 0.93 | 1.53 | 1.37 | 1.69 | | | |
| Adjustable Fitter Mount 45° (downlight) | | | | | | | | | | |
| 40 | 35.9 lbs. (16.3kg) | 2.64 | 3.95 | 3.24 | 4.55 | 7.20 | 5.15 | | | |
| 60 | 37.0 lbs. (16.8kg) | 2.64 | 3.95 | 3.24 | 4.55 | 7.20 | 5.15 | | | |
| 80 | 38.6 lbs. (17.5kg) | 2.64 | 3.95 | 3.24 | 4.55 | 7.20 | 5.15 | | | |
| 100 | 39.7 lbs. (18.0kg) | 2.64 | 3.95 | 3.24 | 4.55 | 7.20 | 5.15 | | | |
| 120 | 41.4 lbs. (18.8kg) | 2.64 | 3.95 | 3.24 | 4.55 | 7.20 | 5.15 | | | |
| 1. Add 5 lbs. (2.3kg) for transformer in 347-480V fixtures when multi-level options are selected | | | | | | | | | | |

