

LBR-30™

BR30 LED Lamp

Product Description

The LBR-30™ LED BR30 lamp delivers 600 lumens of exceptional 94 CRI light while achieving 50 lumens per watt. This breakthrough performance is achieved by combining the high efficacy and high-quality light of Cree TrueWhite® Technology. The LBR-30 is available in a warm color temperature and 25- or 50-degree beam angles. Available in both Edison and GU24 bases, the LBR-30 is a spec grade solution perfect for down lighting, track, and accent lighting use in both commercial and retail applications.

Performance Summary

Utilizes Cree TrueWhite® Technology
Active Color Management
ENERGY STAR® qualified to last at least 25,000 hours
Delivered Light Output: 600 Lumens
Input Power: 12 Watts
CRI: 94
CCT: 2700K
CBCP: 25°: 1940, 50°: 785
Beam Angle: 25°, 50°
Warranty: 3 years†
Lifetime: Designed to last 50,000 hours in open fixtures
non-IC Lifetime: Designed to last 35,000 hours in non-IC recessed downlights
Dimming: Dimmable to 20% with ELV dimmers

Ordering Information

Example: LBR30A92-25D

Product
LBR30A92-25D Edison Base, 25° Beam Angle
LBR30A92-25D-GU24 GU24 Base, 25° Beam Angle
LBR30A92-50D Edison Base, 50° Beam Angle
LBR30A92-50D-GU24 GU24 Base, 50° Beam Angle

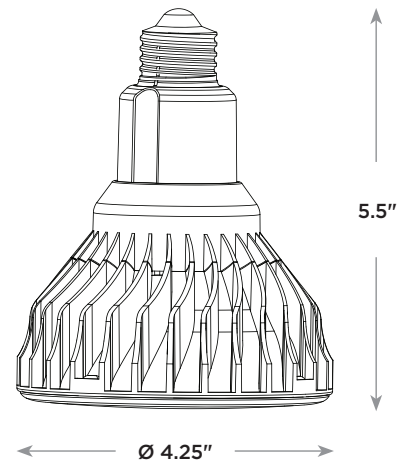
Housings & Accessories

Reference Housing & Accessory documents for more details.

Trackheads
TL Lampholder, Edison Socket

† See [Warranty](#) for warranty terms.

LBR-30



Rev. Date 11/01/2012



Product Specifications

CREE TRUEWHITE® TECHNOLOGY

A revolutionary way to generate high-quality white light, Cree TrueWhite® Technology mixes the light from the highest performing red and unsaturated yellow LEDs. This patented approach delivers an exclusive combination of 90 CRI, beautiful light characteristics, and lifelong color consistency, all while maintaining high luminous efficacy—a true no compromise solution.

CONSTRUCTION & MATERIALS

- Durable die-cast aluminum housing with lens protects LEDs and optical system.
- Thermal management system uses integral heat sink to conduct heat away from LEDs and transfer it to the surrounding environment for optimal performance.
- Housing conforms to ANSI standards for BR30 lamp envelopes.

NOTE: To ensure compatibility, verify fit in fixtures that utilize the lamp face for mechanical attachment. Color filters, baffles, or other shielding media may affect color consistency and lifetime.

OPTICAL SYSTEM

- Combination of diffusing lens and internal beam enhancer redirects light to achieve a uniform, comfortable appearance that eliminates pixelation and direct view of unshielded LEDs. This ensures smooth light patterns are projected with no hot spots and minimal striations.
- Innovative beam enhancer is precisely designed for exceptional optical control, enabling 25° or 50° beam angles with almost no light wasted outside of the beam. This ensures low brightness appearance when viewed from off-axis and outside of the beam.

ELECTRICAL SYSTEM

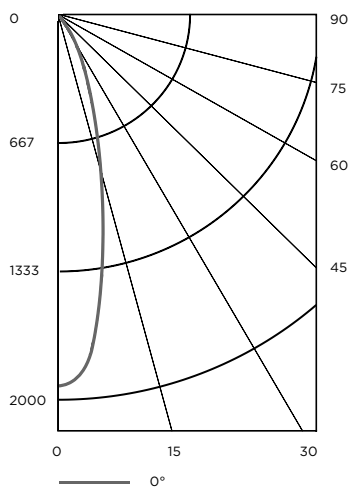
- Integral, high-efficiency driver and power supply.
- **Power Factor** > 0.9 nominal
- **Input Voltage:** 120V, 60Hz
- **Dimming:** Dimmable to 20% with ELV dimmers.

REGULATORY & VOLUNTARY QUALIFICATIONS

- ENERGY STAR® qualified.
- cULus Listed
- Utilize GU24 base for new construction projects in California or other areas where high-efficacy line voltage sockets are required.
- Exceeds ENERGY STAR® color consistency requirements.
- Suitable for damp locations.

Photometry

LBR30A92-25D BASED ON ONSPEX #: 30015498-1



Intensity (Candlepower) Summary

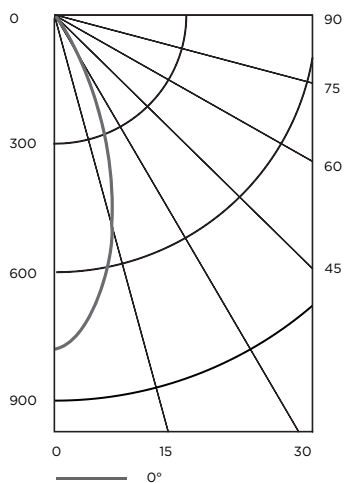
Angle	Mean CP
0°	1940
5°	1822
15°	796
25°	277
35°	89
45°	51
55°	29
65°	15
75°	7
85°	3
90°	2

Zonal Lumen Summary

Zone	Lumens	% Lamp
0-30	454	75.67%
0-40	512	85.33%
0-60	577	96.17%
0-90	600	100%

Reference [www.cree.com](#) for detailed photometric data.

LBR30A92-50D BASED ON ONSPEX #: 30015498-2



Intensity (Candlepower) Summary

Angle	Mean CP
0°	785
5°	748
15°	537
25°	302
35°	154
45°	76
55°	39
65°	19
75°	7
85°	1
90°	0

Zonal Lumen Summary

Zone	Lumens	% Lamp
0-30	365	60.83%
0-40	470	78.33%
0-60	572	95.33%
0-90	600	100%

Reference [www.cree.com](#) for detailed photometric data.