

THE EDGE® FLD-EDG-15-AA

Flood Luminaire - 15° Flood Optic - Adjustable Arm Mount

Product Description

Slim, low profile design minimizes wind load requirements. Luminaire sides are rugged cast aluminum with integral, weather-tight LED driver compartments and high performance aluminum heat sinks. Adjustable arm mount is rugged die cast aluminum and mounts to 2" (51mm) IP (2.375" [60mm] O.D.) tenon. Includes leaf/debris guard.

Performance Summary

Utilizes BetaLED® Technology

Patented NanoOptic® Product Technology

Made in the U.S.A. of U.S. and imported parts

CRI: Minimum 70 CRI

CCT: 5700K (+/- 500K) Standard, 4000K (+/- 300K)

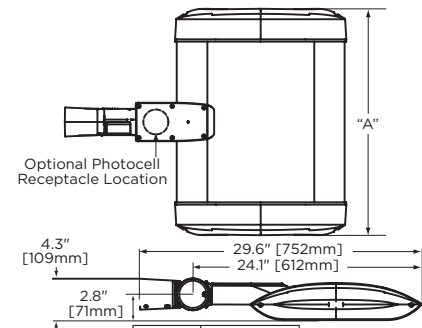
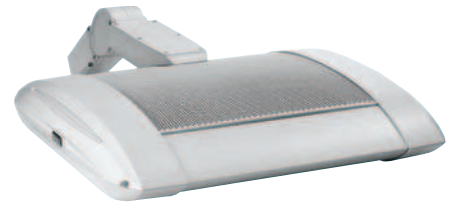
Warranty: 5 years on luminaire/10 years on Colorfast DeltaGuard® finish

EPA and Weight: Reference EPA and Weight spec sheet

Accessories

Field Installed Accessories

XA-BRDSPK
Bird Spikes



LED Count (x10)	Dim. "A"
02	12.1" [306mm]
04	12.1" [306mm]
06	14.1" [357mm]
08	16.1" [408mm]
10	18.1" [459mm]
12	20.1" [510mm]
14	22.1" [560mm]
16	24.1" [611mm]
20	28.1" [713mm]
24	32.1" [814mm]

Ordering Information

Example: FLD-EDG-15-AA-02-D-UL-SV-350-OPTIONS

FLD-EDG	15	AA		D				
Product	Optic	Mounting	LED Count (x10)	Version	Voltage	Color Options	Drive Current	Options
FLD-EDG	15° Flood	AA Adjustable Arm	02 04 06 08 10 12 14 16 20 24	D	UL Universal 120-277V UH Universal 347-480V 34 347V	SV Silver (Standard) BK Black BZ Bronze PB Platinum Bronze WH White	350 350mA 525* 525mA 700** 700mA	40K 4000K Color Temperature - Color temperature per luminaire DIM 0-10V Dimming - Control by others - Refer to dimming spec sheet for details - Can't exceed specified drive current F Fuse - When code dictates fusing, use time delay fuse - Not available with all ML options. Refer to ML spec sheet for availability with ML options HL Hi/Low (175/350/525 Dual Circuit Input) - Refer to HL spec sheet for details - Sensor not included P Photocell - Not available with all ML options. Refer to ML spec sheet for availability with ML options - Must specify voltage other than UH R NEMA Photocell Receptacle - Not available with all ML options. Refer to ML spec sheet for availability with ML options - Intended for horizontal mounting - Photocell by others ML Multi-Level - Refer to ML spec sheet for details

* Available on luminaires with 20-160 LEDs

** Available on luminaires with 20-60 LEDs



Rev. Date: 8/14/2012



Product Specifications

CONSTRUCTION & MATERIALS

- Slim, low profile, minimizing wind load requirements
- Luminaire sides are rugged die cast aluminum with integral, weather-tight LED driver compartments and high performance heat sinks
- Adjustable mounting arm is rugged die cast aluminum and mounts to 2" (51mm) IP (2.375" [60mm] O.D.) tenon
- Includes leaf/debris guard
- Exclusive Colorfast DeltaGuard® finish features an E-Coat epoxy primer with an ultradurable powder topcoat, providing excellent resistance to corrosion, ultraviolet degradation and abrasion. Standard is silver. Bronze, black, white, and platinum bronze are also available

ELECTRICAL SYSTEM

- **Input Voltage:** 120–277V or 347–480V, 50/60Hz, Class 1 drivers
- **Power Factor:** > 0.9 at full load
- **Total Harmonic Distortion:** < 20% at full load
- Integral weather-tight electrical box with terminal strips (12Ga–20Ga) for easy power hookup
- Integral 10kV surge suppression protection standard
- To address inrush current, slow blow fuse or type C/D breaker should be used

REGULATORY & VOLUNTARY QUALIFICATIONS

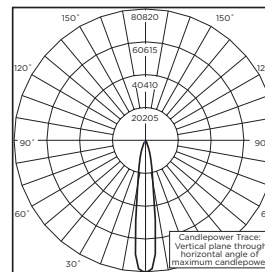
- cULus Listed
- Suitable for wet locations
- Enclosure rated IP66 per IEC 60529 when ordered without P or R options
- Consult factory for CE Certified products
- Certified to ANSI C136.31-2001, 3G bridge and overpass vibration standards
- 10kV surge suppression protection tested in accordance with IEEE/ANSI C62.41.2
- Luminaire and finish endurance tested to withstand 5,000 hours of elevated ambient salt fog conditions as defined in ASTM Standard B 117
- Product qualified on the DesignLights Consortium ("DLC") Qualified Products List ("QPL") when ordered without the backlight control shield
- RoHS Compliant
- Meets Buy American requirements within ARRA

PATENTS

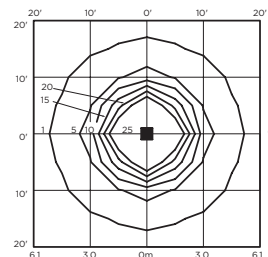
- Visit website for patents that cover these products:
Patents <http://www.cree.com/patents>

Photometry

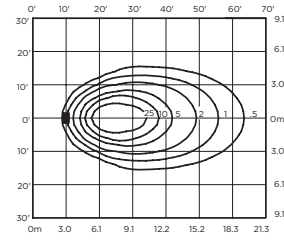
All published luminaire photometric testing performed to IESNA LM-79-08 standards by Independent Testing Laboratories, a NVLAP certified laboratory.



ITL Test Report #: 71408
FLD-EDG-15-**-06-D-UL-700-40K
Initial Delivered Lumens: 11,416



FLD-EDG-15-**-06-D-UL-700
Mounting Height: 25' (7.6m) A.F.G.
Initial Delivered Lumens: 11,575
0° Tilt
Initial FC at grade



FLD-EDG-15-**-06-D-UL-700
Mounting Height: 10' (3.0m) A.F.G.
Initial Delivered Lumens: 11,575
60° Tilt
Initial FC at grade

IES Files

To obtain an IES file specific to your project consult:
<http://www.cree.com/lighting/tools-and-support/exterior-ies-configuration-tool>

Lumen Output, Electrical, and Lumen Maintenance Data

15° Flood Distribution										
LED Count (x10)	5700K	4000K	System Watts 120–480V	TOTAL CURRENT						50K Hours Projected Lumen Maintenance Factor @ 15° C (59° F)*
	Initial Delivered Lumens	Initial Delivered Lumens		120V	208V	240V	277V	347V	480V	
350mA @ 25° C (77° F)										
02	2,286	2,107	26	0.20	0.13	0.11	0.10	0.09	0.07	93%
04	4,572	4,213	47	0.40	0.24	0.21	0.19	0.15	0.12	
06	6,769	6,239	68	0.58	0.34	0.30	0.26	0.20	0.16	
08	9,025	8,318	90	0.77	0.44	0.38	0.34	0.26	0.20	
10	11,253	10,372	111	0.95	0.55	0.47	0.42	0.32	0.24	
12	13,504	12,446	132	1.15	0.66	0.56	0.50	0.38	0.28	
14	15,683	14,454	157	1.34	0.78	0.67	0.61	0.47	0.35	
16	17,924	16,519	179	1.54	0.89	0.76	0.68	0.53	0.39	
20	22,405	20,649	221	1.92	1.10	0.95	0.84	0.65	0.48	
24	26,886	24,779	264	2.30	1.31	1.12	1.00	0.77	0.56	
525mA @ 25° C (77° F)										
02	3,200	2,949	37	0.31	0.19	0.17	0.16	0.12	0.10	92%
04	6,400	5,899	70	0.57	0.33	0.29	0.26	0.21	0.16	
06	9,477	8,734	102	0.87	0.50	0.44	0.39	0.30	0.22	
08	12,636	11,645	133	1.14	0.65	0.56	0.49	0.39	0.29	
10	15,755	14,520	172	1.47	0.85	0.75	0.67	0.51	0.38	
12	18,906	17,424	204	1.76	1.01	0.88	0.78	0.60	0.44	
14	21,957	20,236	233	2.01	1.14	0.99	0.87	0.69	0.51	
16	25,093	23,127	265	2.29	1.29	1.11	0.98	0.78	0.57	
700mA @ 25° C (77° F)										
02	3,909	3,602	50	0.42	0.25	0.22	0.20	0.15	0.12	90%
04	7,818	7,205	93	0.79	0.45	0.40	0.35	0.27	0.20	
06	11,575	10,668	137	1.18	0.67	0.59	0.51	0.39	0.29	

* Projected L₇₀(10K) Hours: > 60,000. For recommended lumen maintenance factor data see TD-13

