

CMPD2005S
CMPD2005SG*

**SURFACE MOUNT
DUAL, IN SERIES
HIGH VOLTAGE
SILICON SWITCHING DIODES**



SOT-23 CASE

* Device is **Halogen Free** by design



www.centrasemi.com

DESCRIPTION:

The CENTRAL SEMICONDUCTOR CMPD2005S and CMPD2005SG each contain two (2) High Voltage Silicon Switching Diodes, manufactured by the epitaxial planar process, epoxy molded in a SOT-23 surface mount package, designed for applications requiring high voltage capability.

MARKING CODES:

CMPD2005S: DB5
CMPD2005SG*: 5SG

MAXIMUM RATINGS: ($T_A=25^\circ\text{C}$)

Continuous Reverse Voltage
Peak Repetitive Reverse Voltage
Average Forward Current
Continuous Forward Current
Peak Repetitive Forward Current
Peak Forward Surge Current, $t_p=1.0\mu\text{s}$
Peak Forward Surge Current, $t_p=1.0\text{s}$
Power Dissipation
Operating and Storage Junction Temperature
Thermal Resistance

SYMBOL

V_R 300
 V_{RRM} 350
 I_O 200
 I_F 225
 I_{FRM} 625
 I_{FSM} 4.0
 I_{FSM} 1.0
 P_D 350
 T_J, T_{stg} -65 to +150
 θ_{JA} 357

UNITS

V
V
mA
mA
mA
A
A
mW
 $^\circ\text{C}$
 $^\circ\text{C/W}$

ELECTRICAL CHARACTERISTICS PER DIODE: ($T_A=25^\circ\text{C}$ unless otherwise noted)

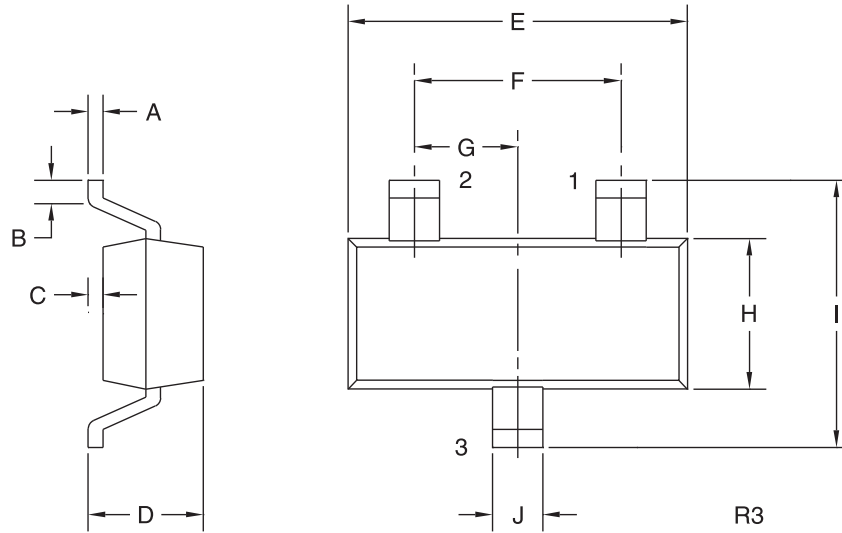
SYMBOL	TEST CONDITIONS	MIN	MAX	UNITS
I_R	$V_R=280\text{V}$		100	nA
I_R	$V_R=280\text{V}, T_A=150^\circ\text{C}$		100	μA
BV_R	$I_R=100\mu\text{A}$	350		V
V_F	$I_F=20\text{mA}$		0.87	V
V_F	$I_F=100\text{mA}$		1.0	V
V_F	$I_F=200\text{mA}$		1.25	V
C_T	$V_R=0, f=1.0\text{MHz}$		5.0	pF
t_{rr}	$I_R=I_F=30\text{mA}, \text{Rec. to } 3.0\text{mA}, R_L=100\Omega$		50	ns

CMPD2005S
 CMPD2005SG*

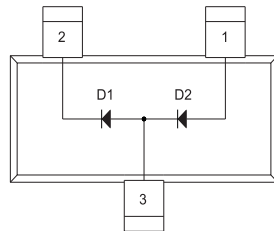
**SURFACE MOUNT
 DUAL, IN SERIES
 HIGH VOLTAGE
 SILICON SWITCHING DIODES**



SOT-23 CASE - MECHANICAL OUTLINE



PIN CONFIGURATION



LEAD CODE:

- 1) Anode D2
- 2) Cathode D1
- 3) Anode D1, Cathode D2

MARKING CODES:

CMPD2005S: DB5
CMPD2005SG*: 5SG

* Device is *Halogen Free* by design

DIMENSIONS

SYMBOL	INCHES		MILLIMETERS	
	MIN	MAX	MIN	MAX
A	0.003	0.007	0.08	0.18
B	0.006	-	0.15	-
C	-	0.005	-	0.13
D	0.035	0.043	0.89	1.09
E	0.110	0.120	2.80	3.05
F	0.075		1.90	
G	0.037		0.95	
H	0.047	0.055	1.19	1.40
I	0.083	0.098	2.10	2.49
J	0.014	0.020	0.35	0.50

SOT-23 (REV: R3)

R3 (25-January 2010)