

CMPS5061
 CMPS5062
 CMPS5063
 CMPS5064

**SURFACE MOUNT
 SILICON CONTROLLED RECTIFIER**



SOT-23 CASE



www.centralemi.com

DESCRIPTION:

The CENTRAL SEMICONDUCTOR CMPS5061 Series types are epoxy molded PNP Silicon Controlled Rectifiers manufactured in an SOT-23 case, designed for control systems and sensing circuit applications.

**MARKING CODE: CMPS5061: P2A
 CMPS5062: P2B
 CMPS5063: P2C
 CMPS5064: P2D**

MAXIMUM RATINGS: ($T_A=25^\circ\text{C}$)		SYMBOL	CMPS5061	CMPS5062	CMPS5063	CMPS5064	UNITS
Peak Repetitive Off-State Voltage		V_{DRM}	100	200	300	400	V
Peak Repetitive Reverse Voltage		V_{RRM}	100	200	300	400	V
RMS On-State Current		$I_{T(RMS)}$		0.25			A
Average On-State Current		$I_{T(AV)}$		0.16			A
Power Dissipation		P_D		350			mW
Operating Junction Temperature		T_J		-65 to +125			$^\circ\text{C}$
Storage Temperature		T_{stg}		-65 to +150			$^\circ\text{C}$
Thermal Resistance		θ_{JA}		286			$^\circ\text{C/W}$

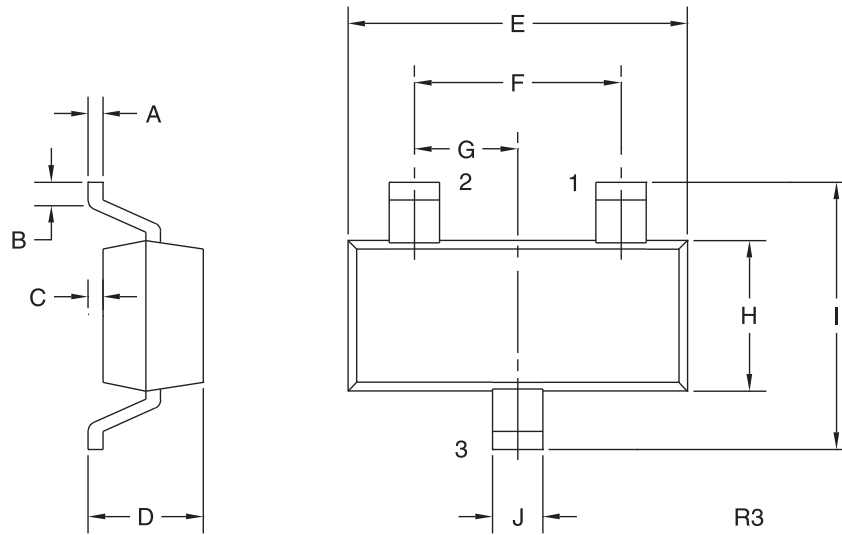
ELECTRICAL CHARACTERISTICS: ($T_A=25^\circ\text{C}$)		CMPS5061		CMPS5062		CMPS5063		CMPS5064		UNITS
SYMBOL	TEST CONDITIONS	MIN	MAX	MIN	MAX	MIN	MAX	MIN	MAX	
I_{DRM}	$V_D = \text{Rated } V_{DRM}, R_{GK} = 1.0\text{K}\Omega$	-	1.0	-	1.0	-	1.0	-	1.0	μA
I_{RRM}	$V_D = \text{Rated } V_{DRM}, R_{GK} = 1.0\text{K}\Omega$	-	1.0	-	1.0	-	1.0	-	1.0	μA
I_{DRM}	$V_D = \text{Rated } V_{DRM}, R_{GK} = 1.0\text{K}\Omega, T_C = 125^\circ\text{C}$	-	50	-	50	-	50	-	50	μA
I_{RRM}	$V_D = \text{Rated } V_{DRM}, R_{GK} = 1.0\text{K}\Omega, T_C = 125^\circ\text{C}$	-	50	-	50	-	50	-	50	μA
V_{TM}	$I_T = 1.2\text{A}$	-	1.7	-	1.7	-	1.7	-	1.7	V
I_{GT}	$V_D = 7.0\text{V}, R_L = 100\Omega$	-	200	-	200	-	200	-	200	μA
V_{GT}	$V_D = 7.0\text{V}, R_L = 100\Omega$	-	0.8	-	0.8	-	0.8	-	0.8	V
V_{GD}	$V_D = \text{Rated } V_{DRM}, R_L = 100\Omega, T_C = 125^\circ\text{C}$	0.1	-	0.1	-	0.1	-	0.1	-	V
I_H	$R_{GK} = 1.0\text{K}\Omega$	-	5.0	-	5.0	-	5.0	-	5.0	mA
t_{on}	$V_D = \text{Rated } V_{DRM}, I_{GT} = 1.0\text{mA}, R_{GK} = 1.0\text{K}\Omega, di/dt = 6.0\text{A}/\mu\text{s}$		2.8 TYP		2.8 TYP		2.8 TYP		2.8 TYP	μs

CMPS5061
 CMPS5062
 CMPS5063
 CMPS5064



**SURFACE MOUNT
 SILICON CONTROLLED RECTIFIER**

SOT-23 CASE - MECHANICAL OUTLINE



LEAD CODE:

- 1) Cathode
- 2) Gate
- 3) Anode

MARKING CODES:

- CMPS5061: P2A
- CMPS5062: P2B
- CMPS5063: P2C
- CMPS5064: P2D

DIMENSIONS				
SYMBOL	INCHES		MILLIMETERS	
	MIN	MAX	MIN	MAX
A	0.003	0.007	0.08	0.18
B	0.006	-	0.15	-
C	-	0.005	-	0.13
D	0.035	0.043	0.89	1.09
E	0.110	0.120	2.80	3.05
F	0.075		1.90	
G	0.037		0.95	
H	0.047	0.055	1.19	1.40
I	0.083	0.098	2.10	2.49
J	0.014	0.020	0.35	0.50

SOT-23 (REV: R3)

R10 (11-February 2011)