

## Monaural Microphone Amplifier

### ■ GENERAL DESCRIPTION

The **NJM2781** is a monaural microphone amplifier IC with a standby function, and can vary a voltage gain by adjusting an external resistor.

Since the **NJM2781** operates with a low voltage range of +2.7V to +4.5V and is available in tiny packages of MSOP8(TVSP8)\* and SSOP8, it is ideally suited for portable and handheld components.

### ■ PACKAGE OUTLINE



**NJM2781RB1**  
MSOP8(TVSP8)



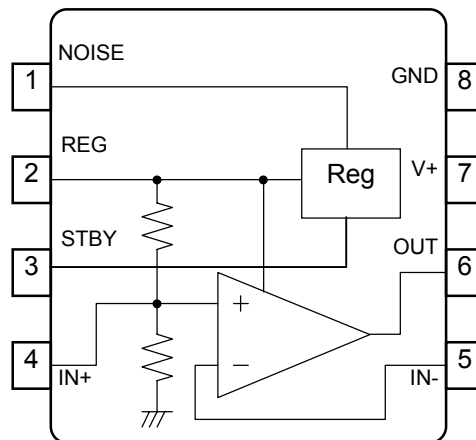
**NJM2781V**  
(SSOP8)

### ■ FEATURES

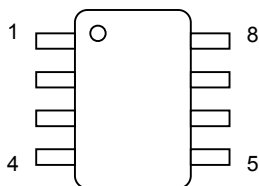
- Operating Voltage +2.7V to +4.5 V
- Operating Current 1.8mA typ.  
1μA max. (in Standby mode)
- Bipolar Technology
- Package Outline MSOP8(TVSP8) \*  
SSOP8

\*MEET JEDEC MO-187-DA / THIN TYPE

### ■ BLOCK DIAGRAM



### ■ PIN FUNCTION



No.	SYMBOL	FUNCTION	No.	SYMBOL	FUNCTION
1	NOISE	Noise Bypass	5	IN-	Inverted Input
2	REG	Regulator Output	6	OUT	Output
3	STBY	Standby On/Off	7	V+	Power Supply
4	IN+	Non-Inverted Input	8	GND	Ground