

4-Channel Electronic Volume with Input Selector

■ GENERAL DESCRIPTION

The NJW1195 is a 4-channel electronic volume with 4-in 2-out stereo audio selector. It performs low noise and low distortion characteristics with resistance ladder circuit.

The NJW1195 is also available for 2-channel differential transmission electronic volume with 2-in 1-out stereo audio selector by a differential transmission select function.

All of functions are controlled via three-wired serial bus. Selectable 4-Chip address is available for using four chips on same serial bus line.

It's suitable for two-channel stereo system and or multi-channel audio system.

■ PACKAGE OUTLINE



NJW1195V

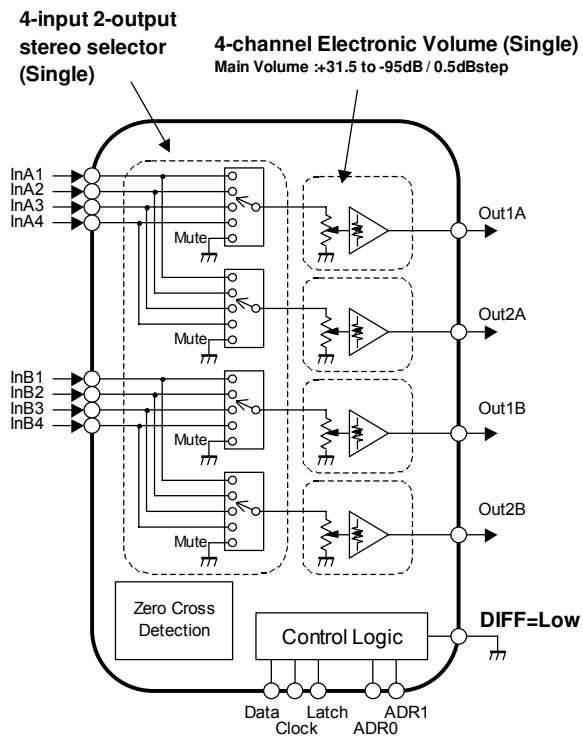
■ FEATURES

- Operating Voltage ±4.5 to ±7.5V
- 3-Wired Serial Control Chip Address Select Function
- Selectable 4-Chip Address Available for using four chips on same serial bus line
- Low Output Noise -118dBV typ.
- Low Distortion 0.0003% typ. at Vin=1Vrms (Differential transmission)
- 4in 2out Stereo Signal Selector +31.5 to -95dB / 0.5dB step, Mute
- Volume -120dB typ.
- Differential transmission select function
- Channel Separation
- Zero Cross Detection
- Bi-CMOS Technology
- Package Outline SSOP32

■ BLOCK DIAGRAM

Application example 1

4-channel electronic volume with 4-in 2-out stereo audio selector (DIFF pin = Low)



Application example 2

2-channel differential transmission electronic volume with 2-in 1-out stereo audio selector (DIFF pin = High)

