

## ASSP For Power Management Applications (Rechargeable Battery)

# Synchronous Rectification DC/DC Converter IC for Charging Li-ion Battery

## MB39A132

### ■ DESCRIPTION

MB39A132, which is used for charging Li-ion battery, is a synchronous rectification DC/DC converter IC adopting pulse width modification (PWM). It can control charge voltage and charge current separately and supports the N-ch MOS driver. In addition, MB39A132 is suitable for down-conversion.

MB39A132 has an AC adapter detection comparator, which is independent of the DC/DC converter control block, and can control the source supplying voltage to the system.

MB39A132 supports a wide input voltage range, enables low current consumption in standby mode, and can control the charge voltage and charge current with high precision, which is perfect for the built-in Li-ion battery charger used in devices such as notebook PC.

### ■ FEATURES

- Supports 2/3/4-Cell battery pack
- Two built-in constant current control loops
- Built-in AC adapter detection function (ACOK pin)
- Charge voltage setting accuracy:  $\pm 0.5\%$  ( $T_a = +25\text{ }^\circ\text{C}$  to  $+85\text{ }^\circ\text{C}$ )
- Charge voltage control setting can be selected without using any external resistor. (4.00 V/Cell, 4.20 V/Cell, 4.35 V/Cell)  
Output voltage can also be freely set by using the external resistor.
- Two built-in high-precision current detection amplifiers
  - :Input offset voltage: +3 mV
  - :Detection accuracy:  $\pm 1\text{ mV}$  (+INC1, +INC2 = 3 V to VCC)
- Charge current control setting can be selected without using any external resistor. ( $R_s = 20\text{ m}\Omega$ : 2.85 A)  
Charge current can also be freely set by using the external resistor.
- Switching frequency can be set by using the external resistor  
(MB39A132 has a built-in frequency setting capacitor.): 100 kHz to 2 MHz
- Built-in off time control function
- In standby mode ( $I_{cc} = 6\text{ }\mu\text{A Typ}$ ), only the AC adapter detection function is in operation.

(Continued)



### Power Supply online Design Simulation Easy DesignSim

This product supports the web-based design simulation tool.  
It can easily select external components and can display useful information.  
Please access from the following URL.

<http://edevic.fujitsu.com/pmic/en-easy/?m=ds>

# MB39A132

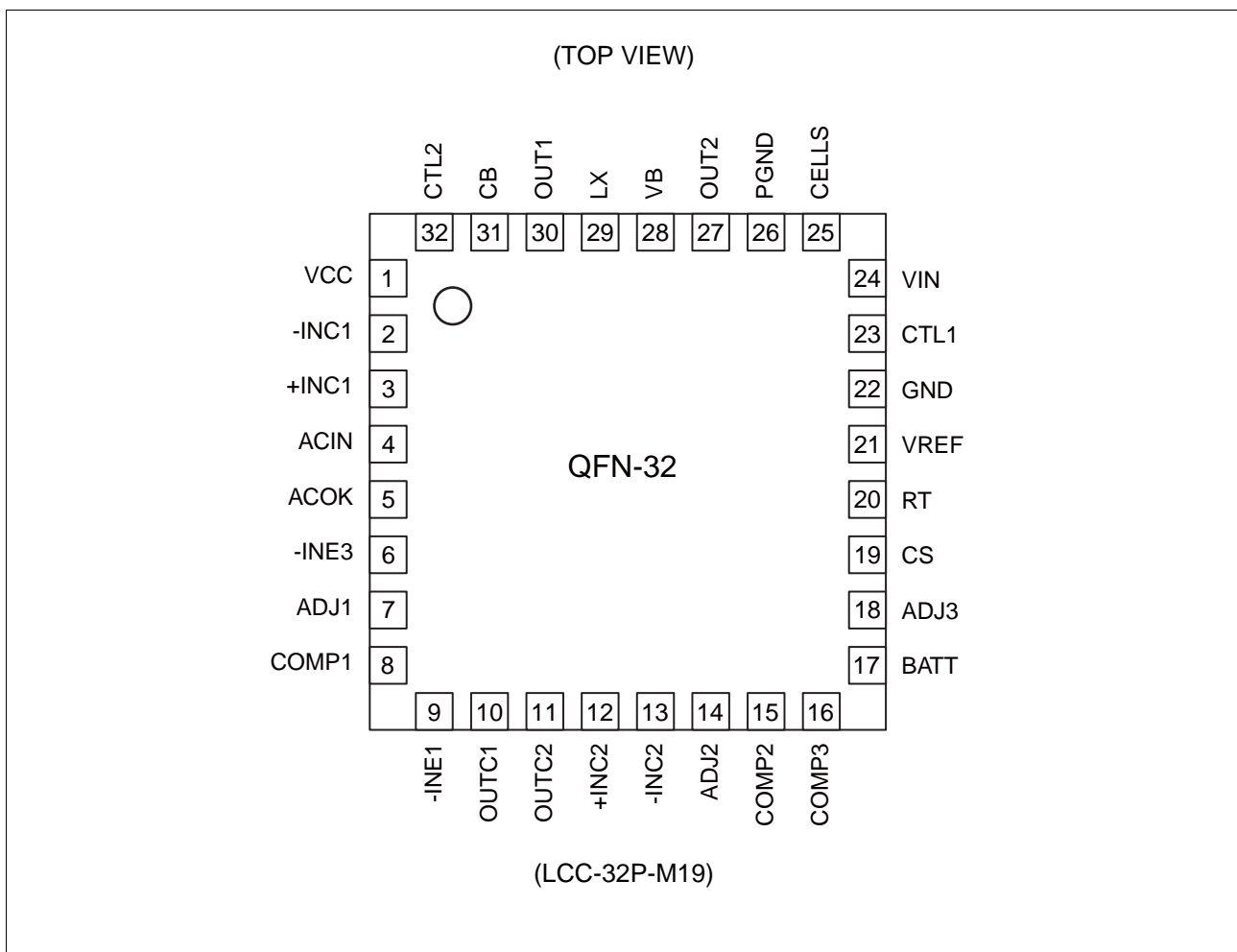
(Continued)

- Built-in output stage for N-ch MOS FET synchronous rectification
- Built-in charge stop function at low VCC pin voltage
- Built-in soft-start function whose setting time can be adjusted
- Equipped with the function enabling the independent operation of the AC adapter current detection amplifier
- Package: QFN-32

## ■ APPLICATIONS

- Internal charger used in notebook PC
- Handy terminal device etc.

## ■ PIN ASSIGNMENT



## ■ PIN DESCRIPTIONS

Pin No.	Pin Name	I/O	Description
1	VCC	—	Power supply pin for reference power and control circuit (Battery side).
2	-INC1	I	Current detection amplifier (Current Amp1) inverted input pin.
3	+INC1	I	Current detection amplifier (Current Amp1) non-inverted input pin.
4	ACIN	I	AC adapter voltage detection block (AC Comp.) input pin.
5	ACOK	O	AC adapter voltage detection block (AC Comp.) output pin. ACOK = Lo-Z when ACIN = H, ACOK = Hi-Z when ACIN = L
6	-INE3	I	Error amplifier (Error Amp3) inverted input pin.
7	ADJ1	I	Error amplifier (Error Amp1) non-inverted input pin.
8	COMP1	O	Error amplifier (Error Amp1) output pin.
9	-INE1	I	Error amplifier (Error Amp1) inverted input pin.
10	OUTC1	O	Current detection amplifier (Current Amp1) output pin.
11	OUTC2	O	Current detection amplifier (Current Amp2) output pin.
12	+INC2	I	Current detection amplifier (Current Amp2) non-inverted input pin.
13	-INC2	I	Current detection amplifier (Current Amp2) inverted input pin.
14	ADJ2	I	Input pin for the charge current control block. ADJ2 pin "GND to 4.4 V" :Charge current control block output = ADJ2 pin voltage ADJ2 pin "4.6 V to VREF" :Charge current control block output = 1.5 V
15	COMP2	O	Error amplifier (Error Amp2) output pin.
16	COMP3	O	Error amplifier (Error Amp3) output pin.
17	BATT	I	Charge voltage control block battery voltage input pin.
18	ADJ3	I	Charge voltage control block setting input pin. ADJ3 pin "GND" :Charge voltage 4.00 V/Cell ADJ3 pin "1.1 V to 2.2 V" :Charge voltage 2 × ADJ3 pin voltage/Cell ADJ3 pin "2.4 V to 3.9 V" :Charge voltage 4.35 V/Cell ADJ3 pin "4.1 V to VREF" :Charge voltage 4.20 V/Cell
19	CS	—	Soft-start capacitor connection pin.
20	RT	—	Triangular wave oscillation frequency setting resistor connection pin.
21	VREF	O	Reference voltage output pin.
22	GND	—	Ground pin.
23	CTL1	I	Power supply control pin. When the CTL1 pin is set to "H" level, the DC/DC converter becomes operable. When the CTL1 pin is set to "L" level, the DC/DC converter becomes stand-by.
24	VIN	—	Power supply pin for ACOK function and Current Amp1(AC adapter side).
25	CELLS	I	Charge voltage setting switch pin (2/3/4-Cell). CELLS = VREF: 4 Cells, CELLS = OPEN: 3 Cells, CELLS = GND: 2 Cells
26	PGND	—	Ground pin.
27	OUT2	O	External low-side FET gate drive pin.
28	VB	O	FET drive circuit power supply pin.
29	LX	—	External high-side FET source connection pin.
30	OUT1	O	External high-side FET gate drive pin.

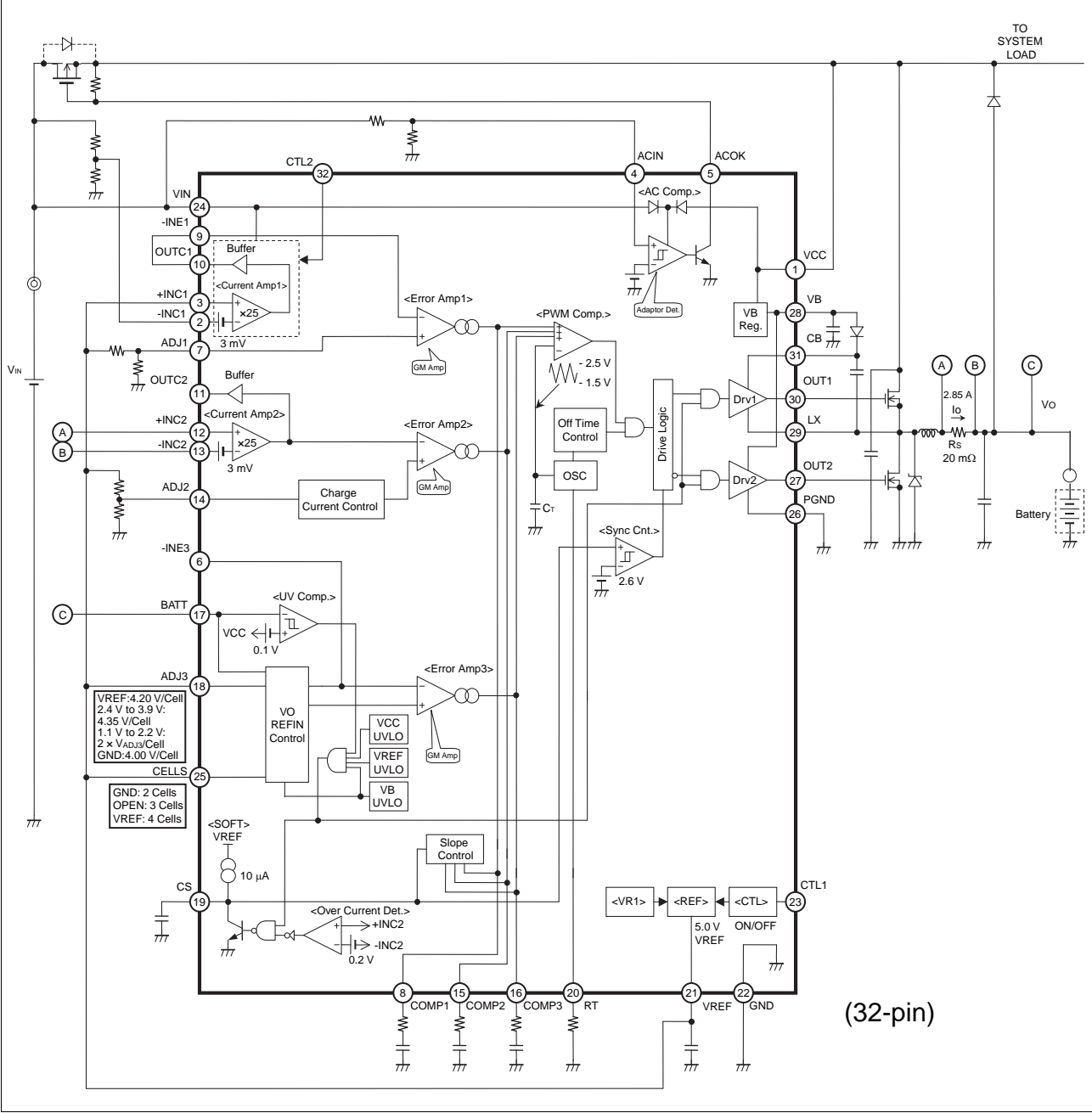
(Continued)

# MB39A132

(Continued)

Pin No.	Pin Name	I/O	Description
31	CB	—	Boot strap capacitor connection pin. The capacitor is connected between the CB pin and the LX pin.
32	CTL2	I	Power supply control pin for Current Amp1. When the CTL1 pin is set to "H" level, the DC/DC converter becomes operable. When the CTL1 pin is set to "L" level, the DC/DC converter becomes stand-by.

■ BLOCK DIAGRAM



## ■ ABSOLUTE MAXIMUM RATINGS

Parameter	Symbol	Condition	Rating		Unit
			Min	Max	
Power supply voltage	$V_{VCC}$	VCC pin	- 0.3	+ 27	V
	$V_{VIN}$	VIN pin	- 0.3	+ 27	V
CB pin input voltage	$V_{CB}$	CB pin	- 0.3	+ 32	V
CTL1, CTL2 pin input voltage	$V_{CTL}$	CTL1, CTL2 pins	- 0.3	+ 27	V
Input voltage	$V_{INC}$	-INC1, +INC1 pins	- 0.3	+ 27	V
		-INC2, +INC2, BATT pins	- 0.3	+ 20	V
	$V_{ADJ}$	ADJ1, ADJ2, ADJ3, CELLS pins	- 0.3	$V_{VREF} + 0.3$	V
	$V_{INE}$	-INE1, -INE3 pins	- 0.3	$V_{VREF} + 0.3$	V
ACIN input voltage	$V_{ACIN}$	ACIN pin	- 0.3	$V_{VIN}$	V
ACOK pin output voltage	$V_{ACOK}$	ACOK pin	- 0.3	+ 27	V
Output current	$I_{OUT}$	OUT1, OUT2 pins	- 60	+ 60	mA
Power dissipation	$P_D$	$T_a \leq + 25 \text{ }^\circ\text{C}$	—	4400 <sup>*1,*2,*3</sup>	mW
			—	1900 <sup>*1,*2,*4</sup>	mW
		$T_a = + 85 \text{ }^\circ\text{C}$	—	1760 <sup>*1,*2,*3</sup>	mW
			—	760 <sup>*1,*2,*4</sup>	mW
Storage temperature	$T_{STG}$	—	- 55	+ 125	$^\circ\text{C}$

\*1 : See the diagram of “■ TYPICAL CHARACTERISTICS • Power Dissipation vs. Operating Ambient Temperature”, for the package power dissipation of  $T_a$  from + 25  $^\circ\text{C}$  to + 85  $^\circ\text{C}$ .

\*2 : When the IC is mounted on a 10x10 cm two-layer square epoxy board.

\*3 : IC is mounted on a two-layer epoxy board, which has thermal vias, and the IC's thermal pad is connected to the epoxy board.

\*4 : IC is mounted on a two-layer epoxy board, which has no thermal vias, and the IC's thermal pad is connected to the epoxy board.

WARNING: Semiconductor devices can be permanently damaged by application of stress (voltage, current, temperature, etc.) in excess of absolute maximum ratings. Do not exceed these ratings.

## RECOMMENDED OPERATING CONDITIONS

Parameter	Symbol	Condition	Value			Unit
			Min	Typ	Max	
Power supply voltage	V <sub>VCC</sub>	VCC pin	8	—	25	V
	V <sub>VIN</sub>	VIN pin	8	—	25	V
CB pin input voltage	V <sub>CB</sub>	CB pin	—	—	30	V
Reference voltage output current	I <sub>VREF</sub>	—	-1	—	0	mA
Bias output current	I <sub>VB</sub>	—	-1	—	0	mA
Input voltage	V <sub>INC</sub>	-INC1, +INC1 pins	0	—	V <sub>VCC</sub>	V
		-INC2, +INC2, BATT pins	0	—	19	V
	V <sub>ADJ</sub>	ADJ1 pin	0	—	V <sub>VREF</sub> - 1.5	V
		ADJ2 pin (when using the internal reference voltage)	4.6	—	V <sub>VREF</sub>	V
		ADJ2 pin (external voltage setting)	0	—	4.4	V
		ADJ3 pin (when using the internal reference voltage)	4.1	—	V <sub>VREF</sub>	V
			2.4	—	3.9	V
		0	—	0.9	V	
	ADJ3 pin (external voltage setting)	1.1	—	2.2	V	
	V <sub>INE</sub>	CELLS pin	0	—	V <sub>VREF</sub>	V
-INE1, -INE3 pins	0	—	V <sub>VREF</sub>	V		
ACIN pin input voltage	V <sub>ACIN</sub>	—	0	—	V <sub>VREF</sub>	V
ACOK pin output voltage	V <sub>ACOK</sub>	—	0	—	25	V
ACOK pin output current	I <sub>ACOK</sub>	—	0	—	1	mA
CTL1, CTL2 pin input voltage	V <sub>CTL</sub>	—	0	—	25	V
Output current	I <sub>OUT</sub>	OUT1, OUT2 pins	-45	—	+45	mA
		OUT1, OUT2 pins Duty ≤ 5% (t = 1/f <sub>osc</sub> × Duty)	-1200	—	+1200	mA
Switching frequency	f <sub>OSC</sub>	—	100	500	2000	kHz
Timing resistor	R <sub>RT</sub>	RT pin	8.2	33	180	kΩ
Soft-start capacitor	C <sub>CS</sub>	CS pin	—	0.22	—	μF
CB pin capacitor	C <sub>CB</sub>	—	—	0.1	—	μF
Bias output capacitor	C <sub>VB</sub>	VB pin	—	1.0	—	μF
Reference voltage output capacitor	C <sub>VREF</sub>	VREF pin	—	0.1	1.0	μF

(Continued)

(Continued)

Parameter	Symbol	Condition	Value			Unit
			Min	Typ	Max	
Operating ambient temperature	Ta	—	– 30	+ 25	+ 85	°C

**WARNING:** The recommended operating conditions are required in order to ensure the normal operation of the semiconductor device. All of the device's electrical characteristics are warranted when the device is operated within these ranges.

Always use semiconductor devices within their recommended operating condition ranges.

Operation outside these ranges may adversely affect reliability and could result in device failure.

No warranty is made with respect to uses, operating conditions, or combinations not represented on the data sheet. Users considering application outside the listed conditions are advised to contact their representatives beforehand.



## ■ ELECTRICAL CHARACTERISTICS

(Ta = + 25 °C, VCC pin = 19 V, VB pin = 0 mA, VREF pin = 0 mA)

Parameter		Symbol	Pin No.	Condition	Value			Unit
					Min	Typ	Max	
Reference Voltage Block [REF]	Threshold voltage	V <sub>VREF1</sub>	21	—	4.963	5.000	5.037	V
		V <sub>VREF2</sub>	21	Ta = - 10 °C to + 85 °C	4.950	5.000	5.050	V
	Input stability	VREF	21	VCC pin = 8 V to 25 V	—	1	10	mV
	Load stability	VREF	21	VREF pin = 0 mA to - 1mA	—	1	10	mV
	Short-circuit output current	I <sub>os</sub>	21	VREF pin = 1 V	- 70	- 35	- 17	mA
Triangular Wave Oscillator Block [OSC]	Oscillation frequency	f <sub>osc</sub>	30	RT pin = 33 kΩ	450	500	550	kHz
	Frequency temperature variation	df/fdT	30	Ta = - 30 °C to + 85 °C	—	1*	—	%
Error Amplifier Block [Error Amp1]	Input offset voltage	V <sub>IO</sub>	7	COMP1 pin = 2 V	—	1*	5	mV
	Input bias current	I <sub>ADJ1</sub>	7	ADJ1 pin = 0 V	- 100	—	—	nA
	Transconductance	G <sub>m</sub>	8	—	—	20*	—	μA/V
Error Amplifier Block [Error Amp2]	Threshold voltage	V <sub>TH1</sub>	14	ADJ2 pin = VREF pin	—	1.5*	—	V
	Transconductance	G <sub>m</sub>	15	—	—	20*	—	μA/V

(Continued)

(Ta = + 25 °C, VCC pin = 19 V, VB pin = 0 mA, VREF pin = 0 mA)

Parameter		Symbol	Pin No.	Condition	Value			Unit
					Min	Typ	Max	
Error Amplifier Block [Error Amp3]	Threshold voltage	V <sub>TH1</sub>	17	COMP3 pin = 2 V, Ta = + 25 °C to + 85 °C ADJ3 pin = CELLS pin = VREF pin	- 0.5	0	+ 0.5	%
		V <sub>TH2</sub>	17	COMP3 = 2 V, Ta = - 10 °C to + 85 °C ADJ3 pin = CELLS pin = VREF pin	- 0.7	0	+ 0.5	%
		V <sub>TH3</sub>	17	COMP3 = 2 V, Ta = + 25 °C to + 85 °C 2.4 V ≤ ADJ3 pin ≤ 3.9 V CELLS pin = VREF pin	- 0.5	0	+ 0.5	%
		V <sub>TH4</sub>	17	COMP3 pin = 2 V, Ta = - 10 °C to + 85 °C 2.4 V ≤ ADJ3 pin ≤ 3.9 V CELLS pin = VREF pin	- 0.7	0	+ 0.5	%
		V <sub>TH5</sub>	17	COMP3 pin = 2 V, Ta = + 25 °C to + 85 °C ADJ3 = GND pin, CELLS pin = VREF pin	- 0.5	0	+ 0.5	%
		V <sub>TH6</sub>	17	COMP3 pin = 2 V, Ta = - 10 °C to + 85 °C ADJ3 pin = GND pin, CELLS pin = VREF pin	- 0.7	0	+ 0.5	%
	Input current	I <sub>BATTH</sub>	17	2.4 V ≤ ADJ3 ≤ 3.9 V CELLS pin = VREF pin, BATT pin = 16.8 V	—	34	60	μA
		I <sub>BATTL</sub>	17	VCC pin = 0 V, BATT pin = 16.8 V	—	0	1	μA
	Transconductance	G <sub>m</sub>	16	—	—	280*	—	μA/V

(Continued)

(Ta = + 25 °C, VCC pin = 19 V, VB pin = 0 mA, VREF pin = 0 mA)

Parameter	Sym- bol	Pin No.	Condition	Value			Unit	
				Min	Typ	Max		
Current Detection Amplifier Block [Current Amp1, Current Amp2]	Input current	I+INCH1	3	+INC1 pin = 3 V to VCC pin, $\Delta V_{in} = -100$ mV	—	20	30	$\mu$ A
		I+INCH2	12	+INC2 pin = 3 V to VCC pin, $\Delta V_{in} = -100$ mV	—	30	45	$\mu$ A
		I-INCH	2,13	- INC1 pin = - INC2 pin = 3 V to VCC pin, $\Delta V_{in} = -100$ mV	—	0.1	0.2	$\mu$ A
		I+INCL	3,12	+INC1 pin = +INC2 pin = 0.1 V, $\Delta V_{in} = -100$ mV	- 240	- 160	—	$\mu$ A
		I-INCL	2,13	- INC1 pin = - INC2 pin = 0.1 V, $\Delta V_{in} = -100$ mV	- 270	- 180	—	$\mu$ A
	Input offset voltage	V <sub>OFF1</sub>	10,11	+INC1 pin = +INC2 pin = 3 V to VCC pin	2	3	4	mV
		V <sub>OFF2</sub>	10,11	+INC1 pin = +INC2 pin = 0 V to 3 V	1	3	5	mV
	Common mode input voltage range	V <sub>CM</sub>	10,11	—	0	—	V <sub>VCC</sub>	V
	Voltage gain	A <sub>v</sub>	10,11	+INC1 pin = +INC2 pin = 3 V to VCC pin, $\Delta V_{in} = -100$ mV	24.5	25.0	25.5	V/V
	Frequency bandwidth	BW	10,11	A <sub>v</sub> = 0 dB	—	2*	—	MHz
	Output voltage	V <sub>OUTCH</sub>	10,11	—	4.7	4.9	—	V
		V <sub>OUTCL</sub>	10,11	+INC1 pin = +INC2 pin = 3 V to VCC pin	50	75	100	mV
	Output source current	I <sub>SOURCE</sub>	10,11	OUTC1 pin = OUTC2 pin = 2 V	—	- 2	- 1	mA
	Output sink current	I <sub>SINK</sub>	10,11	OUTC1 pin = OUTC2 pin = 2 V	25	50	—	$\mu$ A
OUTC1 pin Output voltage	V <sub>OUTC1</sub>	10	VIN pin = 0 V	—	0	—	V	
PWM Comparator Block [PWM Comp.]	Threshold voltage	V <sub>TL</sub>	30	Duty cycle = 0 %	1.4	1.5	—	V
		V <sub>TH</sub>	30	Duty cycle = 100 %	—	2.5	2.6	V
Output Block [OUT]	Output ON resistance	R <sub>OH</sub>	27,30	OUT1,OUT2 pin = - 45 mA	—	4	7	$\Omega$
		R <sub>OL</sub>	27,30	OUT1,OUT2 pin = + 45 mA	—	1	3.5	$\Omega$

(Continued)

# MB39A132

(Ta = + 25 °C, VCC pin = 19 V, VB pin = 0 mA, VREF pin = 0 mA)

Parameter		Symbol	Pin No.	Condition	Value			Unit
					Min	Typ	Max	
Control Block [CTL1,CTL2]	ON condition	VON	23,32	IC operation mode	2	—	25	V
	OFF condition	VOFF	23,32	IC standby mode	0	—	0.8	V
	Input current	I <sub>CTLH</sub>	23,32	CTL1, CTL2 pin = 5 V	—	25	40	μA
		I <sub>CTLL</sub>	23,32	CTL1, CTL2 pin = 0 V	—	0	1	μA
Bias Voltage Block [VB]	Output voltage	VB	28	—	4.9	5.0	5.1	V
	Load stability	Load	28	VB pin = 0 mA to - 10 mA	—	10	50	mV
Synchronous Rectification Control Block [Synchronous Cnt.]	CS threshold voltage	V <sub>TLH</sub>	19	—	2.55	2.60	2.65	V
		V <sub>THL</sub>	19	—	2.5	2.55	2.60	V
	Hysteresis width	V <sub>H</sub>	19	—	—	0.05*	—	V
Under Voltage Lockout Protection Circuit Block [UVLO]	Threshold voltage	V <sub>TLH</sub>	1	VCC pin	—	7.5	7.9	V
		V <sub>THL</sub>	1	VCC pin	7.0	7.4	—	V
	Hysteresis width	V <sub>H</sub>	1	VCC pin	—	0.1	—	V
	Threshold voltage	V <sub>TLH</sub>	28	VB pin	3.8	4.0	4.2	V
		V <sub>THL</sub>	28	VB pin	3.1	3.3	3.5	V
	Hysteresis width	V <sub>H</sub>	28	VB pin	—	0.7	—	V
	Threshold voltage	V <sub>TLH</sub>	21	VREF pin	2.6	2.8	3.0	V
V <sub>THL</sub>		21	VREF pin	2.4	2.6	2.8	V	
Hysteresis width	V <sub>H</sub>	21	VREF pin	—	0.2	—	V	
Over Current Detection Block [Over Current Det.]	Output voltage	V <sub>H</sub>	12	-INC2 pin = 12.6 V	12.75	12.80	12.85	V
Under Input Voltage Detection Block [UV Comp.]	Threshold voltage	V <sub>TLH</sub>	1	BATT pin = 12.6 V	12.6	12.8	13.0	V
		V <sub>THL</sub>	1	BATT pin = 12.6 V	12.5	12.7	12.9	V
	Hysteresis width	V <sub>H</sub>	1	BATT pin = 12.6 V	—	0.1	—	V
AC Adapter Voltage Detection Block [AC Comp.]	Threshold voltage	V <sub>TLH</sub>	4	—	1.237	1.250	1.263	V
		V <sub>THL</sub>	4	—	1.227	1.240	1.253	V
	Hysteresis width	V <sub>H</sub>	4	—	—	10	—	mV
	Input current	I-INCL	4	—	—	—	200	nA
	ACOK pin output leak current	I <sub>LEAK</sub>	5	ACOK pin = 25 V	—	0	1	μA
	ACOK pin output "L" Level voltage	V <sub>ACOKL</sub>	5	ACOK pin = 1 mA	—	0.9	1.1	V

(Continued)

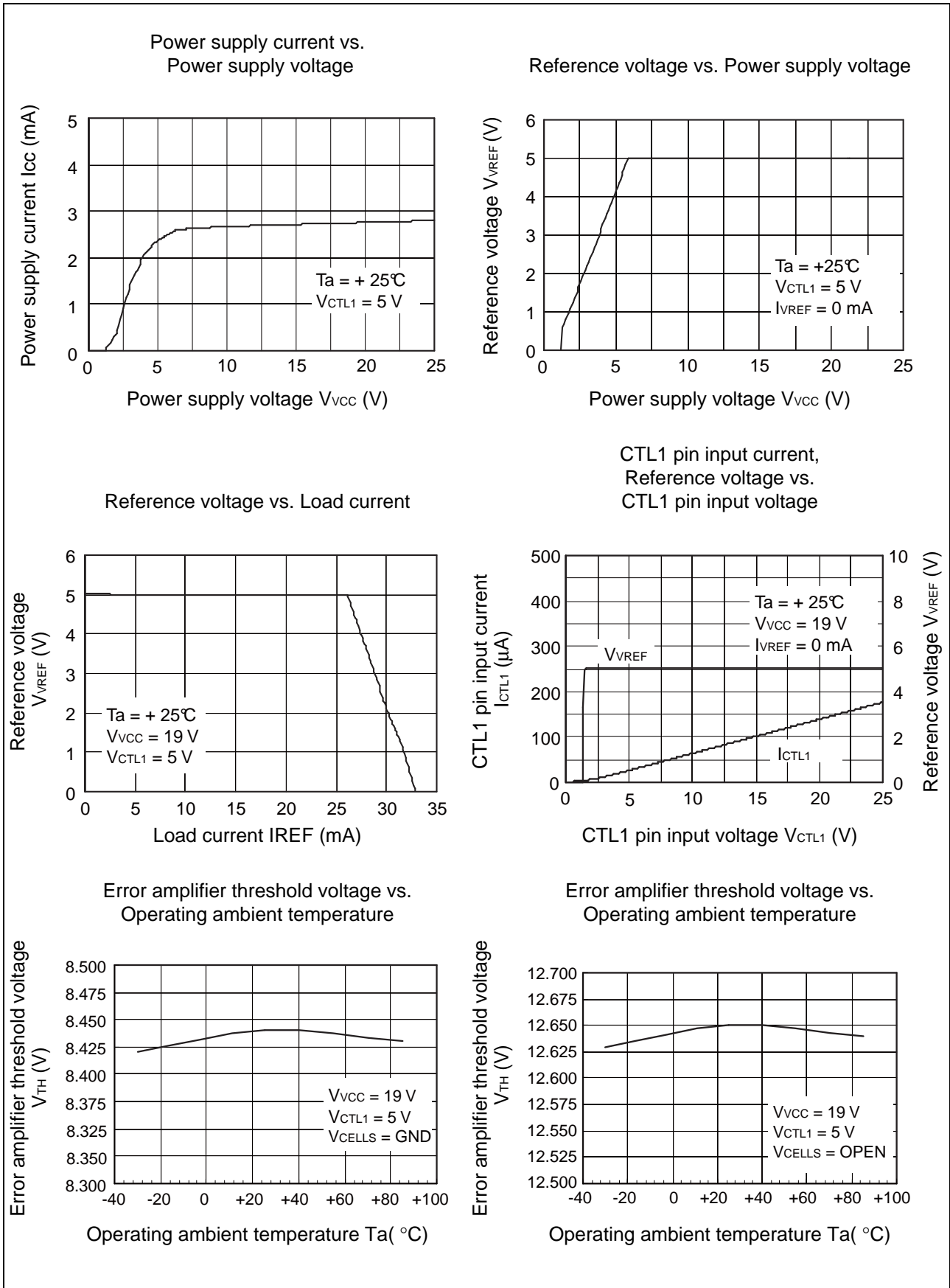
(Continued)

(Ta = + 25 °C, VCC pin = 19 V, VB pin = 0 mA, VREF pin = 0 mA)

Parameter		Symbol	Pin No.	Condition	Value			Unit
					Min	Typ	Max	
Charge Voltage Control Block [VO REFIN Control]	Threshold voltage	V <sub>THH</sub>	18	At 4.2 V/Cell	3.91	4.00	4.09	V
		V <sub>THM</sub>	18	At 4.35 V/Cell	2.21	2.30	2.39	V
		V <sub>THL</sub>	18	At 4.0 V/Cell	0.91	1.00	1.09	V
	Input current	I <sub>IN</sub>	18	ADJ3 pin	—	0	1	μA
	Input voltage	V <sub>H</sub>	25	At 4Cells	V <sub>VREF</sub> - 0.4	—	V <sub>VREF</sub>	V
		V <sub>M</sub>	25	At 3Cells	2.4	—	2.6	V
		V <sub>L</sub>	25	At 2Cells	0	—	0.3	V
Input current	I <sub>INL</sub>	25	CELLS pin = 0 V	- 8.3	- 5	—	μA	
	I <sub>INH</sub>	25	CELLS pin = VREF pin	—	5	8.3	μA	
Charge Current Control Block [Charge Current Control]	Threshold voltage	V <sub>TH</sub>	14	—	4.41	4.5	4.59	V
	Input current	I <sub>IN</sub>	14	ADJ2 pin	—	0	1	μA
Soft-start Block [SOFT]	Charge current	I <sub>CS</sub>	19	—	- 14	- 10	- 6	μA
General	Standby current	I <sub>VINL</sub>	24	VIN pin = 19 V, ACIN pin = 0 V	—	0	1	μA
		I <sub>INS</sub>	24	VCC pin = 0 V, CTL1, CTL2 pin = 0 V, ACIN pin = 5 V, VIN pin = 19 V	—	6	10	μA
		I <sub>CCS</sub>	1	VIN pin = 0 V, CTL1, CTL2 pin = 0 V, ACIN pin = 0 V, VCC pin = 19 V	—	0	1	μA
	Power supply current	I <sub>IN</sub>	24	VIN pin = 19 V, VCC pin = 0 V, ACIN pin = 5 V, CTL1 pin = 0 V, CTL2 pin = 5 V	—	300	450	μA
		I <sub>CC</sub>	1	VIN pin = 0 V, VCC pin = 19 V, ACIN pin = 0 V, CTL1 pin = 5 V, CTL2 pin = 0 V	—	2.4	3.6	mA
		I <sub>INCC</sub>	1,24	VIN pin = 19 V, VCC pin = 19 V, ACIN pin = 5 V, CTL1 pin = 5 V, CTL2 pin = 5 V	—	2.7	4.1	mA

\*: This value is not be specified. This should be used as a reference to support designing the circuits.

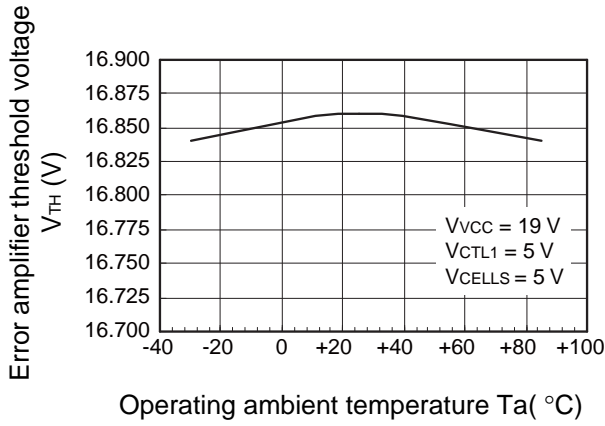
## ■ TYPICAL CHARACTERISTICS



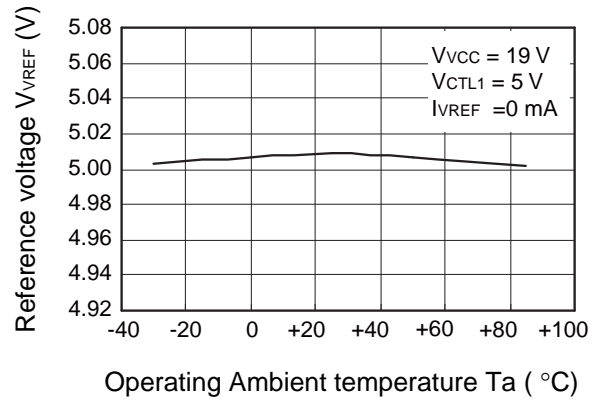
(Continued)

(Continued)

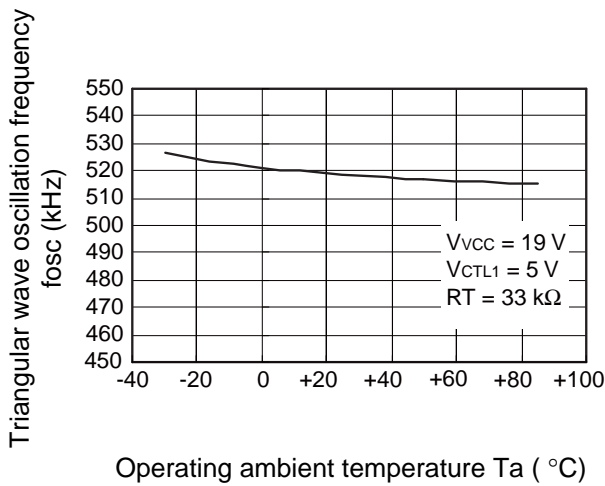
Error amplifier threshold voltage vs. Operating ambient temperature



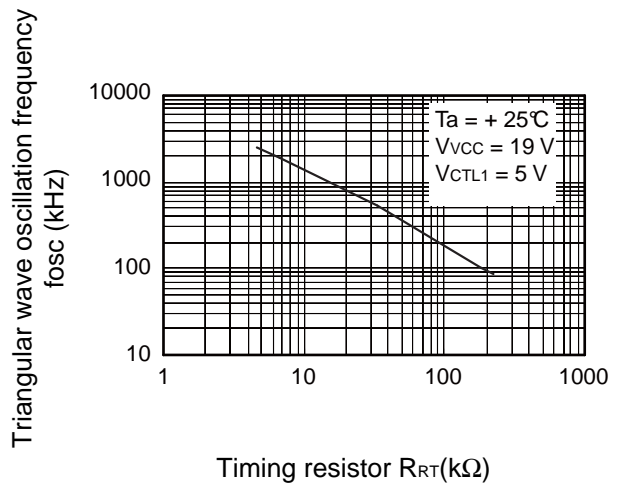
Reference voltage vs. Operating ambient temperature



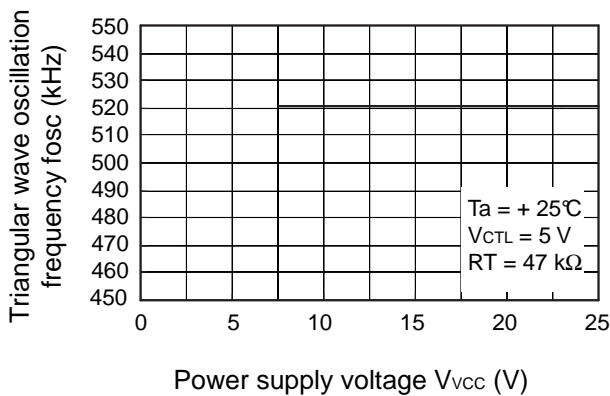
Triangular wave oscillation frequency vs. Operating ambient temperature



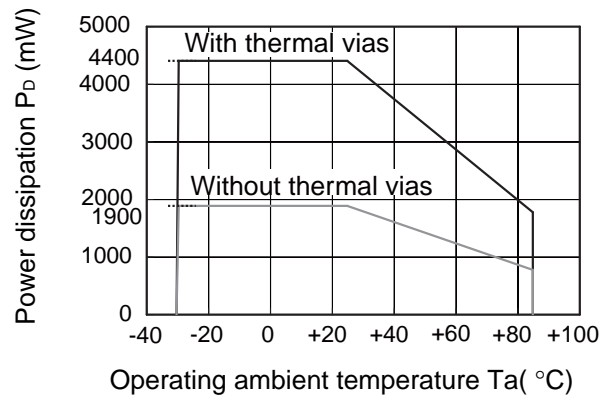
Triangular wave oscillation frequency vs. Timing resistor



Triangular wave oscillation frequency vs. Power supply voltage



Power dissipation vs. Operating ambient temperature



## ■ FUNCTIONAL DESCRIPTION

MB39A132 is an N-ch MOS driver-supported DC/DC converter which uses pulse width modulation (PWM) for charging Li-ion battery and controls the charge voltage and current when charging the battery. To stabilize the power supplied from a battery or an adapter to a system, this DC/DC converter has a battery charging control function and an AC adapter voltage detection function.

When MB39A132 controls charge voltage (constant voltage mode), it can freely set the charge voltage with the voltage input to the ADJ3 pin (pin 18) and the CELLS pin (pin 25). It compares the BATT pin (pin 17) voltage and the internal reference voltage with the error amplifier (Error Amp3), outputs PWM control signals and then outputs the charge voltage freely set by the IC.

When MB39A132 controls charge current (constant current mode), it amplifies the voltage drop occurring on both ends of the charge current sense resistor ( $R_s$ ) by 25 times with the current detection amplifier (Current Amp2), and then outputs the amplified voltage to the OUTC2 pin (pin 11). It compares the output voltage of the current detection amplifier (Current Amp2) and the voltage set in the ADJ2 pin (pin 14) with the error amplifier (Error Amp2), and then outputs PWM control signals for executing constant-current charge.

When MB95A132 controls AC adapter power, in the case of an output voltage drop in the AC adapter, the converter amplifies the voltage difference between the voltage applied to the -INC1 pin (pin 2) that has dropped and the +INC1 pin (pin 3) voltage ( $V_{VREF}$ ) by 25 times with the current detection amplifier (Error Amp1), and then outputs the amplified voltage value to the OUTC1 pin (pin 10). It compares the output voltage of the current detection amplifier (Current Amp1) to the ADJ1 pin (pin 7) voltage using the error amplifier (Error Amp1) to output PWM control signals for controlling the charge current so that the AC adapter power can be kept constant.

The triangular wave voltage generated by the triangular wave oscillator is compared with the output voltage of one of the three error amplifiers (Error Amp1, Error Amp2 and Error Amp3) that has the lowest potential. The main FET is turned on during the period when the triangular wave voltage is lower than the error amplifier output voltage.

In addition, the AC Comp. detects installation/removal of the AC adapter and its information is output through the ACOK pin (pin 5).



## 1. Blocks of DC/DC Converter

### (1) Reference voltage block (REF)

The reference voltage circuit uses the voltage supplied from the VCC pin (pin 1) to generate stable voltage (Typ. 5.0 V) that has undergone temperature compensation. The generated voltage is used as the reference power supply for the internal circuitry of the IC.

This block can output load current of up to 1 mA from the reference voltage VREF pin (pin 21).

### (2) Triangular wave oscillator block (OSC)

The triangular wave oscillator builds the capacitor for frequency setting into, and generates the triangular wave oscillation waveform by connecting the frequency setting resistor with the RT pin (pin 20).

The triangular wave is input to the PWM comparator on the IC.

Triangular wave oscillation frequency:  $f_{osc}$

$f_{osc} \text{ (kHz)} \approx 17000/RT \text{ (k}\Omega\text{)}$

### (3) Error amplifier block (Error Amp1)

This amplifier detects the output signal from the current detection amplifier (Current Amp1) and outputs a PWM control signal.

In addition, a stable phase compensation can be made available to the system by connecting the resistor and the capacitor to the COMP1 pin (pin 8).

### (4) Error amplifier block (Error Amp2)

This amplifier detects the output signal from the current detection amplifier (Current Amp2), compares this to the output signal from the charge current control circuit, and outputs a PWM control signal to be used in controlling the charge current.

In addition, a stable phase compensation can be made available to the system by connecting the resistor and the capacitor to the COMP2 pin (pin 15).

### (5) Error amplifier block (Error Amp3)

This error amplifier (Error Amp3) detects the output voltage from the DC/DC converter, compares this to the output signal from the VO REFIN controller circuit, and outputs the PWM control signal. Arbitrary output voltage from 2 Cell to 4 Cell can be set by connecting an external resistor of charging voltage to ADJ3 pin (pin 18).

In addition, a stable phase compensation can be made available to the system by connecting the resistor and the capacitor to the COMP3 pin (pin 16).

### (6) Current detection amplifier block (Current Amp1)

The current detection amplifier (Current Amp1) amplifies the voltage difference between the +INC1 pin (pin 3) and the -INC1 pin (pin 2) by 25 times and outputs the amplified signal to the OUTC1 pin (pin 10).

### (7) Current detection amplifier block (Current Amp2)

The current detection amplifier (Current Amp2) detects a voltage drop occurring at both ends of the charge current sense resistor (Rs) with the +INC2 pin (pin 12) and the -INC2 pin (pin 13). It outputs the signal amplified by 25 times to the inverted input pin of the following error amplifier (Error Amp2) and to the OUTC2 pin (pin 11).

### (8) PWM comparator block (PWM Comp.)

The PWM comparator circuit is a voltage-pulse width converter for controlling the output duty according to the output voltage of the error amplifiers (Error Amp1 to Error Amp3).

The triangular wave voltage generated by the triangular wave oscillator is compared with the output voltage of one of the three error amplifiers (Error Amp1, Error Amp2 and Error Amp3) that has the lowest potential. The main FET is turned on during the period when the triangular wave voltage is lower than the error amplifier output voltage.

### (9) Output block (OUT)

The output block uses a CMOS configuration on both the high-side and the low-side, and can drive the external N-ch MOS FET.

## (10) Power supply control block (CTL1)

The power supply control block controls the DC/DC converter operation. When the CTL1 pin (pin 23) is set to "L" level, the DC/DC converter enters standby mode. In the standby mode, only the AC adapter detection function is operable. (The typical supply current value is 6  $\mu$ A in the standby mode.)

CTL1 function table

CTL1	DC/DC converter control	AC adapter detection
L	OFF (Standby)	ON (Active)
H	ON (Active)	ON (Active)

## (11) Current Amp1 control block (CTL2)

The Current Amp1 controller controls the Current Amp1 operation. When the CTL2 pin is set to "H" level, the Current Amp1 becomes operable.

When the CTL1 pin (pin 23) is set to the "L" level and the CTL2 pin (pin32) is set to the "H" level after full-charge, only Current Amp1 and the AC adapter detection function becomes operable.

CTL2 function table

CTL2	Current Amp1	AC adapter detection
L	OFF (Standby)	ON (Active)
H	ON (Active)	ON (Active)

## (12) Bias voltage block (VB)

The bias voltage block outputs 5 V (Typ) for the power supply of the output circuit and for setting the bootstrap voltage.

## (13) Off time control block (Off Time Control)

When this IC operates by high on-duty, voltage of both ends of bootstrap capacitor CB is decreasing gradually. In such the case, off time control block charges with CB by compulsorily generating off time (0.3  $\mu$ s Typ).

## 2. Protection Functions

### (1) Under voltage lockout protection circuit (VREF-UVLO)

A momentary decrease in internal reference voltage (VREF) may cause malfunctions in the control IC, resulting in breakdown or degradation of the system. To prevent such malfunction, the under voltage lockout protection circuit detects internal reference voltage drop and fixes the OUT1 pin (pin 30) and the OUT2 pin (pin 27) at the "L" level. UVLO will be released when the internal reference voltage reaches the threshold voltage of the under voltage lockout protection circuit.

Protection circuit (VREF-UVLO) operation function table

When UVLO is operating (VREF voltage is lower than UVLO threshold voltage.), the logic value of the following pin is fixed.

OUT1	OUT2	CS	VB
L	L	L	L

### (2) Under voltage lockout protection circuit (VCC-UVLO, VB-UVLO)

The transient state or the momentary decrease in power supply voltage, which occurs when the bias voltage (VB) for output circuit is turned on, may cause malfunctions in the control IC, resulting in breakdown or degradation of the system. To prevent such malfunction, the under voltage lockout protection circuit detects a bias voltage drop and fixes the OUT1 pin (pin 30) and the OUT2 pin (pin 27) at the "L" level. UVLO will be released when the power supply voltage or internal reference voltage reaches the threshold voltage of the under voltage lockout protection circuit.

Protection circuit (VCC-UVLO, VB-UVLO) operation function table

When UVLO is operating (VCC voltage or VB voltage is lower than UVLO threshold voltage.), the logical value of the following pin is fixed.

OUT1	OUT2	CS
L	L	L

### (3) Under input voltage detection block (UV Comp.)

It compares the VCC pin (pin 1) voltage with the BATT pin (pin 17) voltage. If the VCC voltage is lower than the BATT pin voltage plus 0.1 V (Typ), the comparator fixes the OUT1 pin (pin 30) and the OUT2 pin (pin 27) at "L" level.

The system resumes operation when the input voltage is higher than the threshold voltage of the under input voltage detection comparator.

Protection circuit (UV Comp.) operation function table

When under input voltage is detected (Input voltage is lower than UV Comp. threshold voltage), the logical value of the following pin is fixed.

OUT1	OUT2	CS
L	L	L

#### (4) Overcurrent detection block (Over Current Det.)

When this block detects that the potential difference between the +INC2 pin (pin 12) and the -INC2 pin (pin 13) exceeds 0.2 V (Typ), and excessive current flows in the charging direction due to a sudden change of load, this block will determine that overcurrent occurs, and sets the CS pin (pin 19) to "L" level and the ON duty to 0%. Afterward, when the overcurrent ceases to exist, the soft-start operation is started.

$$\text{Overcurrent detection value : } I_{oc\ det}(A) = \frac{0.2(V)}{R_s(\Omega)}$$

Charge current and overcurrent detection value by  $R_s$  value (example)

$R_s$	ADJ2	$I_o$	OCDet
20 m $\Omega$	0.5 V to 4.4 V	0.85 A to 8.65 A	10 A
15 m $\Omega$	0.5 V to 4.4 V	1.13 A to 11.5 A	13 A

#### (5) Overtemperature detection

The circuit protects an IC from heat destruction. If the temperature at the joint reaches +150 °C, the circuit set OUT1 (pin 30) and OUT2 (pin 27) pins to "L", and stops voltage output.

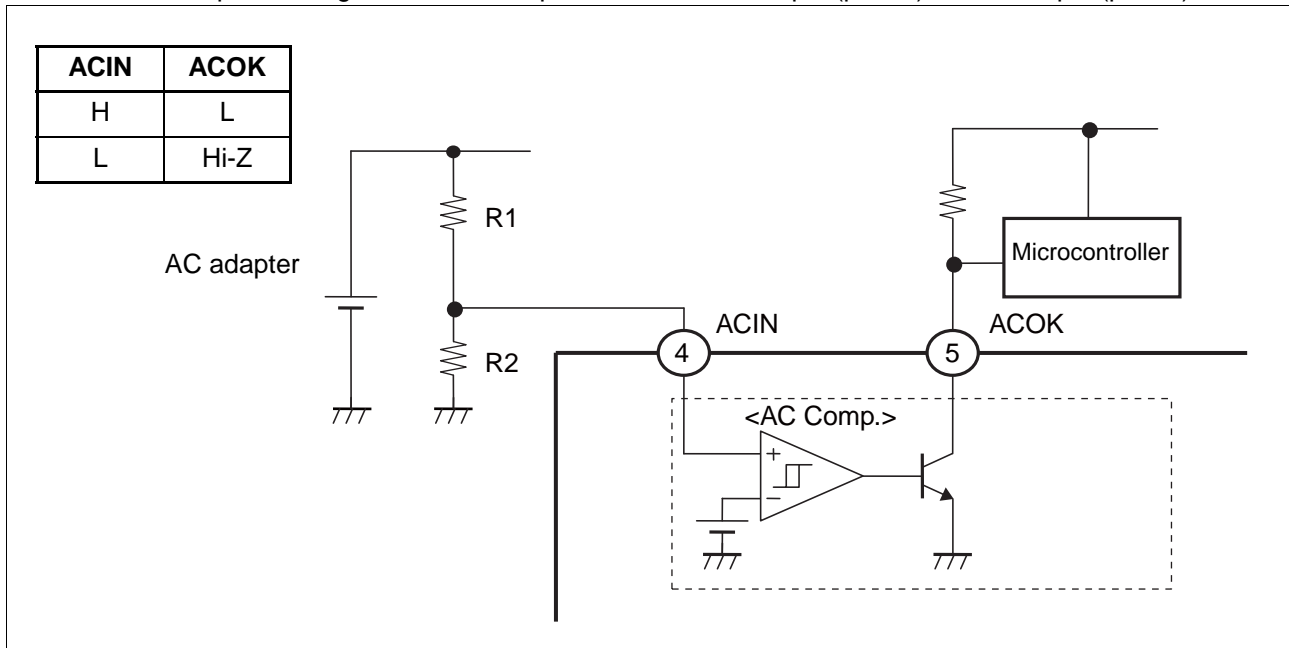
In addition, if the temperature at the joint drops to +125 °C, the voltage output restarts again.

When designing a DC/DC power supply system, do not exceed the absolute maximum ratings of this IC in order to prevent overtemperature protection from being activated.

## 3. Detection Function

### AC adapter voltage detection block (AC Comp.)

When the AC adapter voltage detection block (AC Comp.) detects that ACIN pin (pin 4) voltage is below 1.25 V (Typ), it sets ACOK pin (pin 5) in the AC adapter voltage detection block to Hi-Z. In addition, power is supplied from the VCC pin (pin 1) or the VIN pin (pin 24), whichever has higher voltage. This function operates regardless of the input level of the CTL1 pin (pin 23) and CTL2 pin (pin 32).



AC adapter detection voltage setting

$V_{IN}$  = Low to High

$$V_{th} = (R1 + R2) / R2 \times 1.25 \text{ V}$$

$V_{IN}$  = High to Low

$$V_{th} = (R1 + R2) / R2 \times 1.24 \text{ V}$$

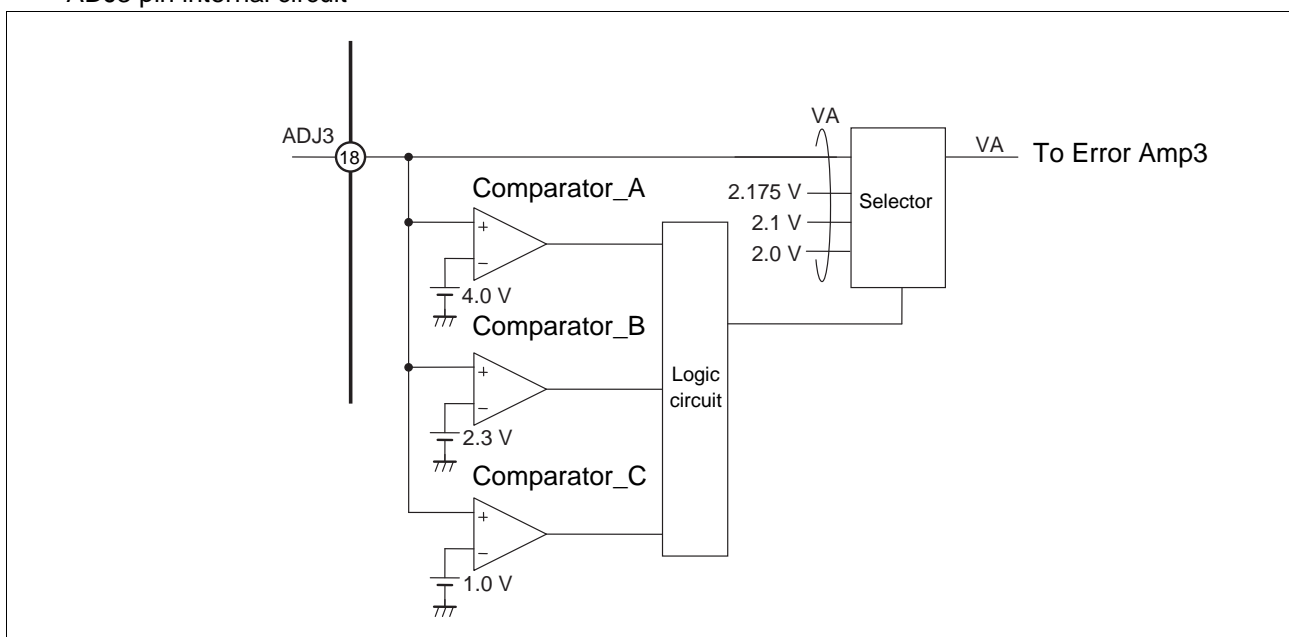
## ■ SETTING THE CHARGE VOLTAGE

The charge voltage (DC/DC converter output voltage) can be set by the input voltage to ADJ3 pin (pin 18) and CELLS pin (pin 25). The ADJ3 pin can set charge voltage per cell. The value of charge voltage can be freely set when the ADJ3 pin is connected to an external resistor. When the VREF level voltage or the GND level voltage is input to the ADJ3 pin, the internal high-precision reference voltage set in advance can be used. When the VREF level voltage or the GND level voltage is input to the CELLS pin, or the CELLS pin is left unconnected, the number of series batteries can be set.

The correspondence between the ADJ3 pin, the CELLS pin and charge voltage (DC/DC converter output voltage) is shown below.

ADJ3 pin Input Voltage	CELLS pin	Charge Voltage	Remarks
VREF pin (ADJ3 ≥ 4.1V)	GND	8.4 V	2 Cells × 4.20 V/Cell
	OPEN	12.6 V	3 Cells × 4.20 V/Cell
	VREF	16.8 V	4 Cells × 4.20 V/Cell
2.4 V ≤ ADJ3 pin ≤ 3.9 V	GND	8.7 V	2 Cells × 4.35 V/Cell
	OPEN	13.05 V	3 Cells × 4.35 V/Cell
	VREF	17.4 V	4 Cells × 4.35 V/Cell
GND pin (0 V ≤ ADJ3 pin ≤ 0.9 V)	GND	8.0 V	2 Cells × 4.00 V/Cell
	OPEN	12.0 V	3 Cells × 4.00 V/Cell
	VREF	16.0 V	4 Cells × 4.00 V/Cell
External voltage setting (1.1 V ≤ ADJ3 pin ≤ 2.2 V)	GND	4 × ADJ3 pin voltage	2 Cells × 2 × ADJ3 pin voltage/Cell
	OPEN	6 × ADJ3 pin voltage	3 Cells × 2 × ADJ3 pin voltage/Cell
	VREF	8 × ADJ3 pin voltage	4 Cells × 2 × ADJ3 pin voltage/Cell

### • ADJ3 pin internal circuit



## ■ SETTING THE CHARGE CURRENT

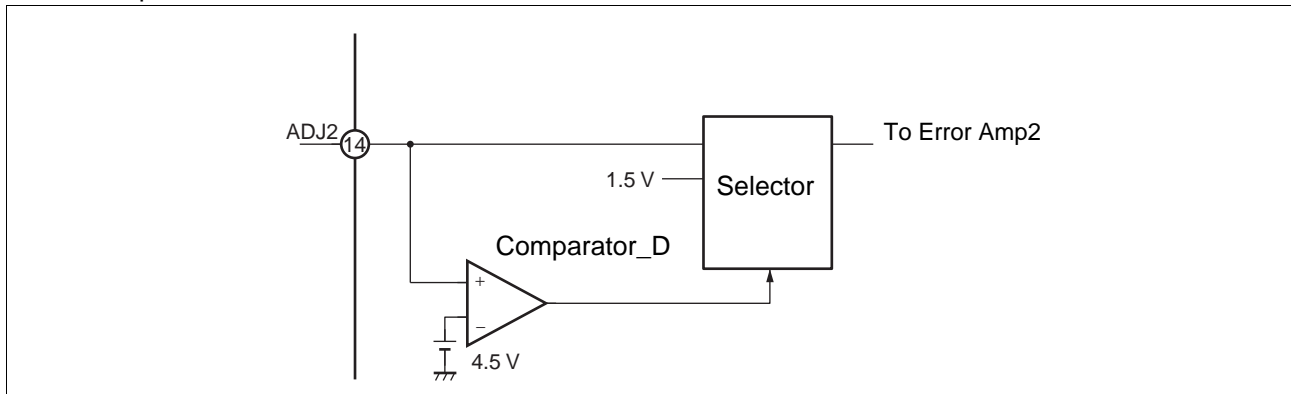
The error amplifier (Error Amp2) compares the output voltage of charge current control block set by the ADJ2 pin (pin 14) with the output signal from the charge current detection amplifier (Current Amp2), and outputs a the PWM control signal. The maximum charge current for battery can be set according to the ADJ2 pin voltage. When a current exceeding the setting current value is going to flow, constant current charge will be executed at that setting current value, and the charge voltage will drop.

Battery charge current setting voltage: ADJ2

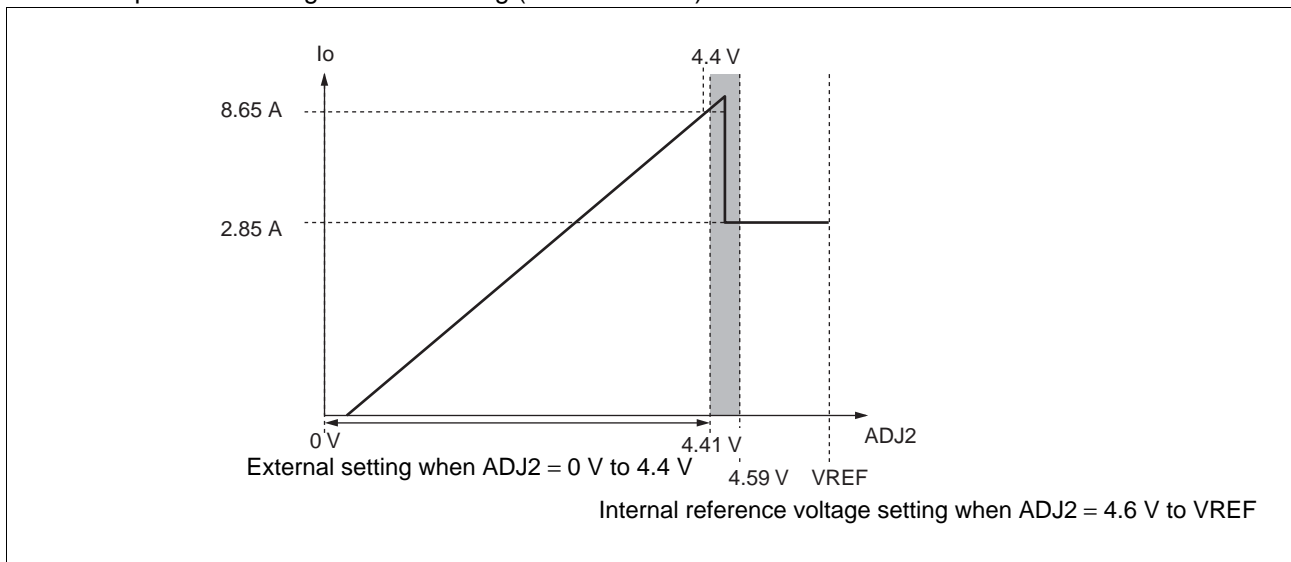
$$\text{Charge current upper limit } I_o = \frac{\text{Output voltage in the charge current control block} - 0.075}{\text{Current detection amplifier gain (25 V/V Typ)} \times \text{sense resistor } R_s(\Omega)}$$

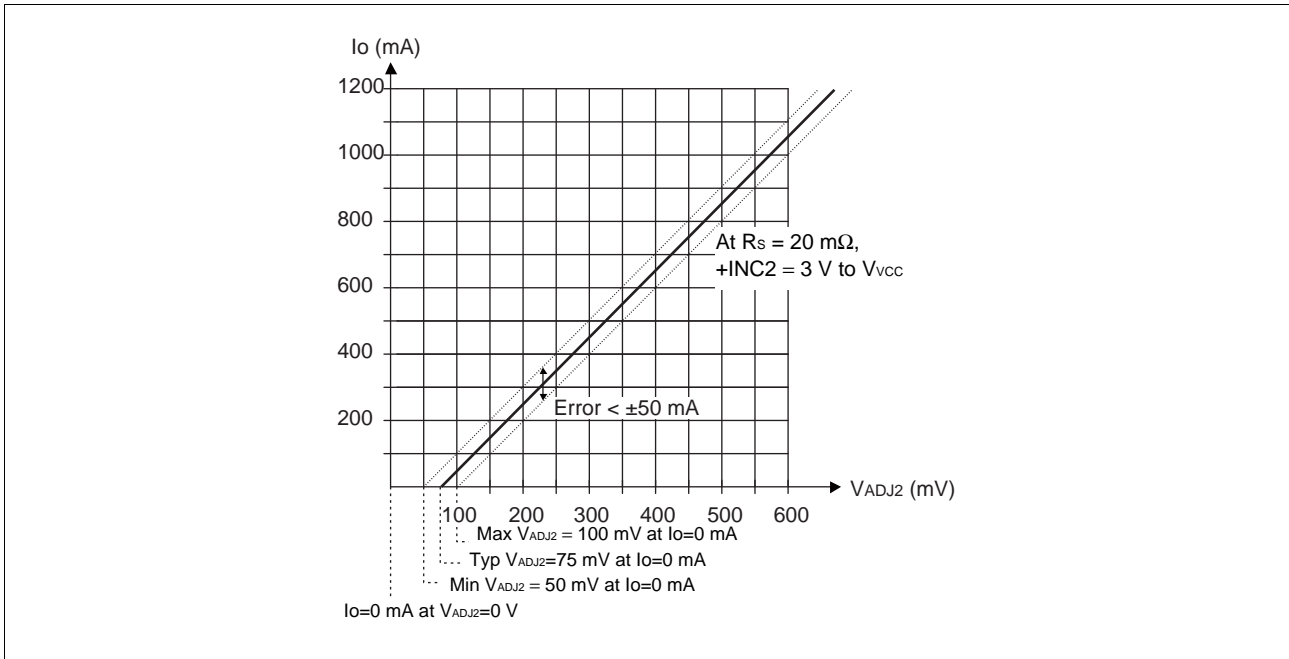
ADJ2 pin input voltage	Charge current control block output voltage	Charge current	
		$R_s = 20 \text{ m}\Omega$	$R_s = 15 \text{ m}\Omega$
VREF pin (ADJ2 pin $\geq 4.6 \text{ V}$ )	1.5 V	2.85 A	3.8 A
External Voltage Setting (ADJ2 pin = GND pin to 4.4 V)	$V_{\text{ADJ2}}(\text{V})$	$2 \times (\text{ADJ2 pin} - 0.075)(\text{A})$	$2.66 \times (\text{ADJ2 pin} - 0.075)(\text{A})$

- ADJ2 pin internal circuit



- Example of the charge current setting (at  $R_s = 20 \text{ m}\Omega$ )







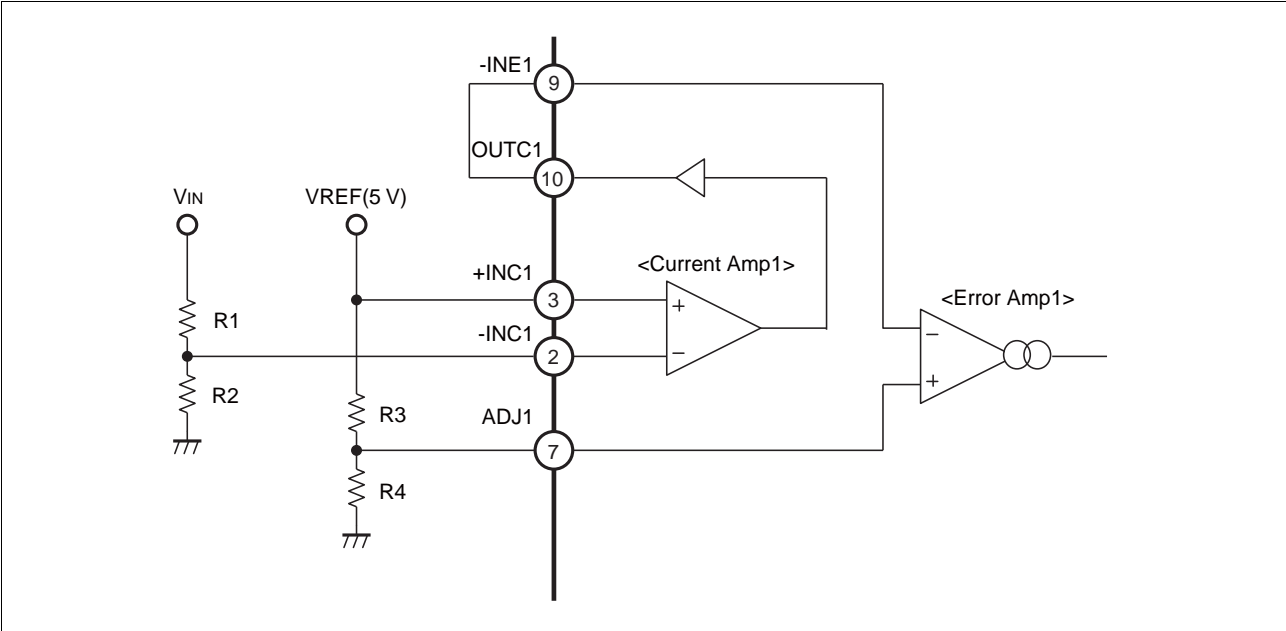
## SETTING DYNAMICALLY-CONTROLLED CHARGING

With the connection shown below, when the voltage of the AC adapter ( $V_{IN}$ ) drops and reaches  $V_{th}$ , the result of the equation shown below, the converter becomes dynamically-controlled charging mode and then controls charge current to maintain a constant power level of the AC adapter.

AC adapter voltage in dynamically-controlled-charging mode:  $V_{th}$

$$V_{th} = \left[ \left( 1 - \frac{1}{A_v} \times \frac{R_4}{R_3 + R_4} \right) V_{REF} + 3 \text{ mV} \right] \times \frac{R_1 + R_2}{R_2}$$

$V_{REF}$  = Reference voltage(5.0 V Typ),  $A_v$  = Current detection amplifier block voltage gain (25.0 Typ)



## ■ SETTING THE SOFT-START TIME

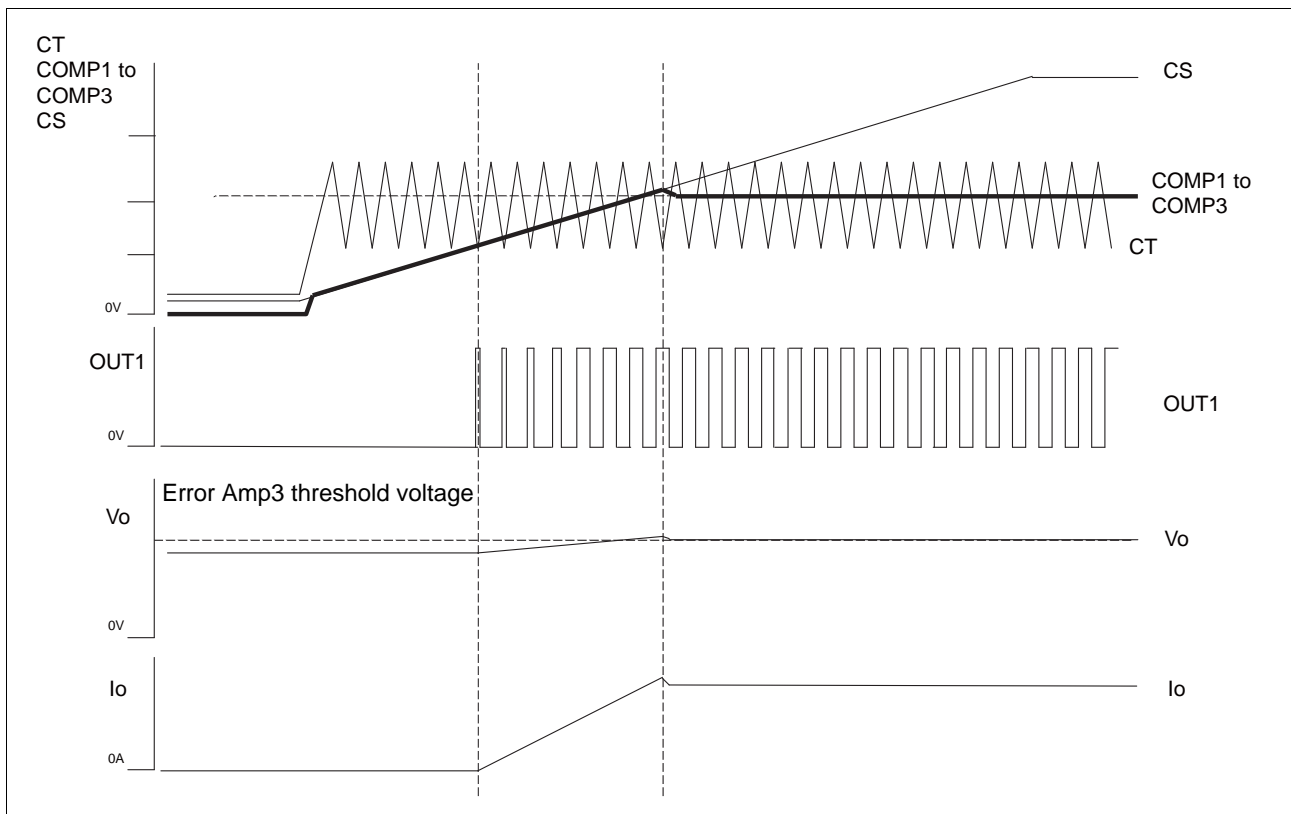
To prevent rush current at start-up of IC, the soft-start time can be set by connecting a soft-start capacitor ( $C_s$ ) to the CS pin (pin 19). When the CTL1 pin (pin 23) and the CTL2 pin (pin 32) are set to "H" level and the IC is started ( $V_{cc} \geq UVLO$  threshold voltage), the external capacitor ( $C_s$ ) for soft-start ( $C_s$ ) connected to the CS pin is charged at  $10 \mu A$ .

The output ON duty depends on the result of comparison done by the PWM comparator among the COMP1 pin (pin 8) voltage, the COMP2 pin (pin15) voltage, the COMP3 pin (pin16) voltage and the triangular wave oscillator output voltage (CT). During soft-start, the COMP1 pin, the COMP2 pin, and the COMP3 pin voltages are clamped so that the voltages of those three pins will not exceed the CS pin voltage. Therefore, the output voltage of the DC/DC converter and current increase can be set by the output ON duty in proportion to rise of the CS pin voltage.

The ON duty is affected by the ramp voltage of the COMP1 pin, the COMP2 pin, and the COMP3 pin until the output voltage of one of the three Error Amp reaches the DC/DC converter loop control voltage.

Soft-start time is obtained from the following formula.

$$\text{Soft-start time (time for the output ON duty to reach 80\%): } t_s(s) \approx 0.23 \times C_s (\mu F)$$



## ■ TRANSIT RESPONSE AT STEP LOAD CHANGE

The constant voltage control loop and the constant current control loop are independent of each other . When a load changes suddenly, a control loop is replaced by the other.

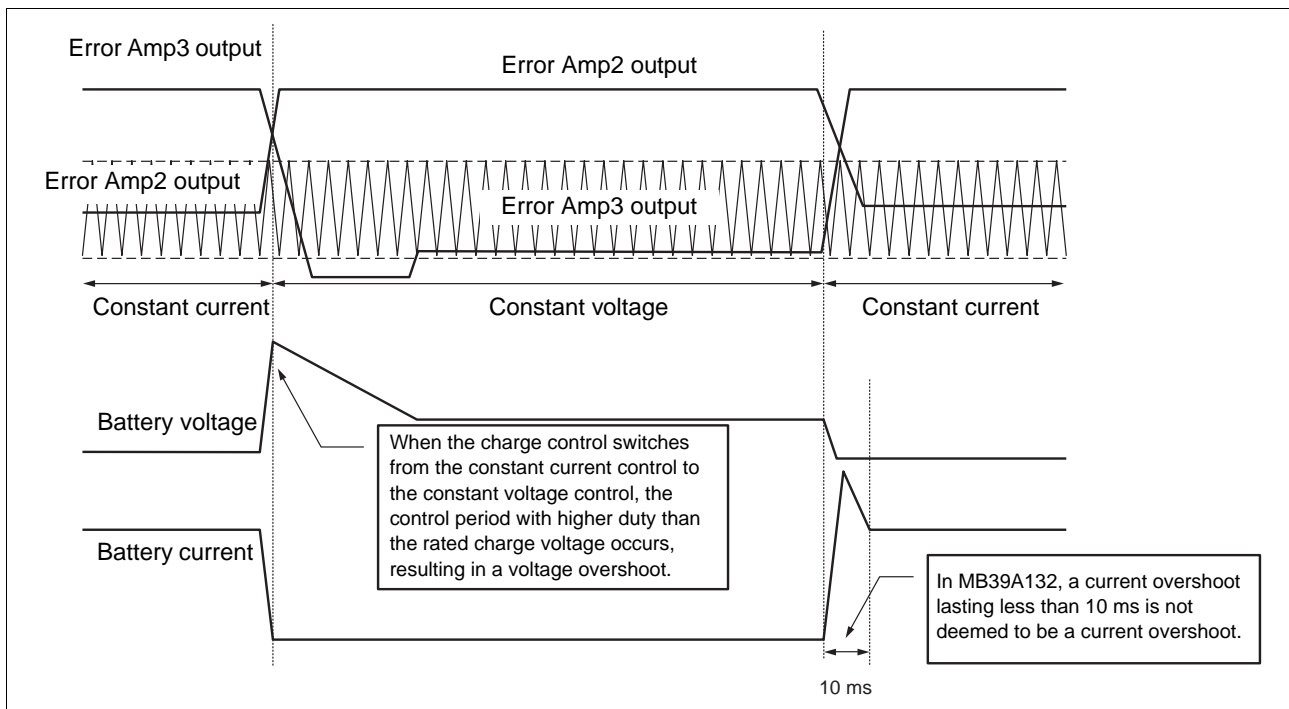
Overshoot of the battery voltage and current is generated by the delay occurring in a control loop at a mode change.

The delay time is determined by the phase compensation components values.

When the constant current control changes to the constant voltage control after the battery is removed, the control period with higher duty than the setting charge voltage occurs, resulting in a voltage overshoot. However, since the battery is removed, no excessive voltage is to be applied to the battery.

When the constant voltage control changes to the constant current control after the battery is inserted, the control period with higher duty than the rated charge current occurs, resulting in current overshoot.

In MB39A132, a current overshoot lasting less than 10 ms is not deemed to be a current overshoot.

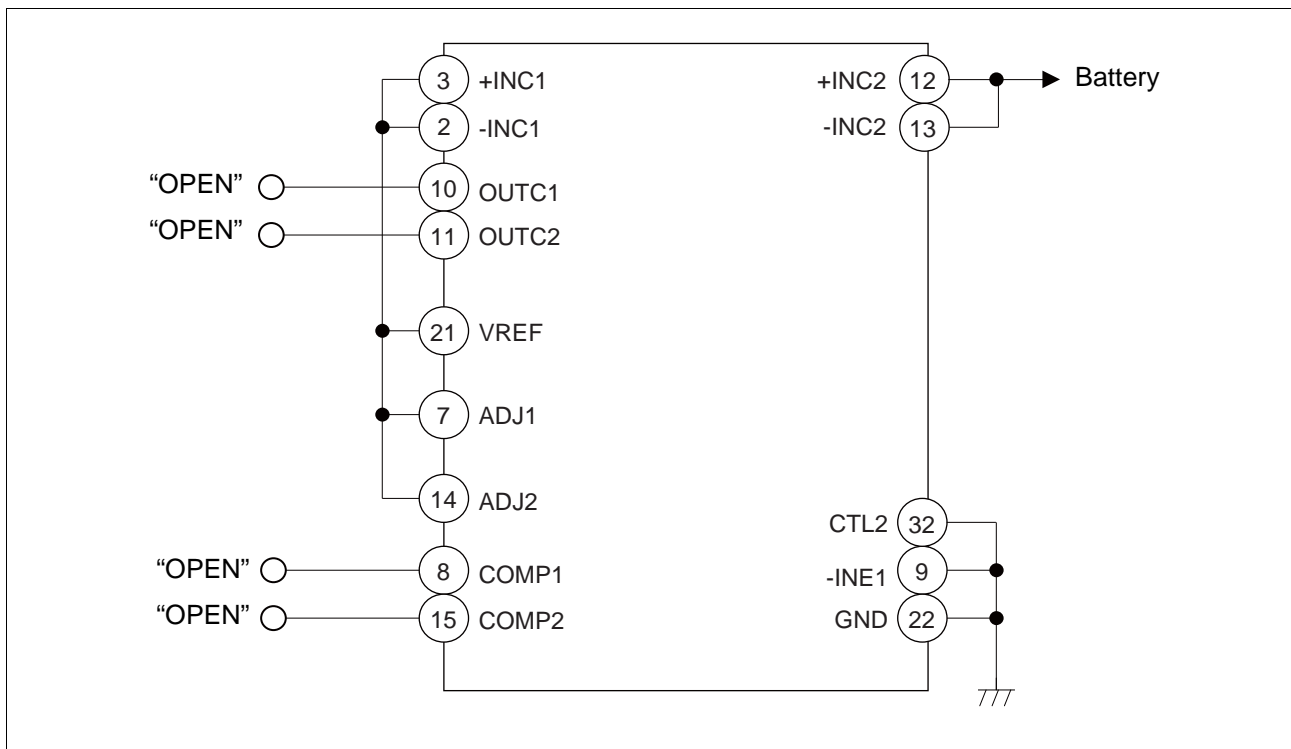


## ■ CONNECTION WITHOUT USING THE CURRENT AMP1, CURRENT AMP2 AND THE ERROR AMP1, ERROR AMP2

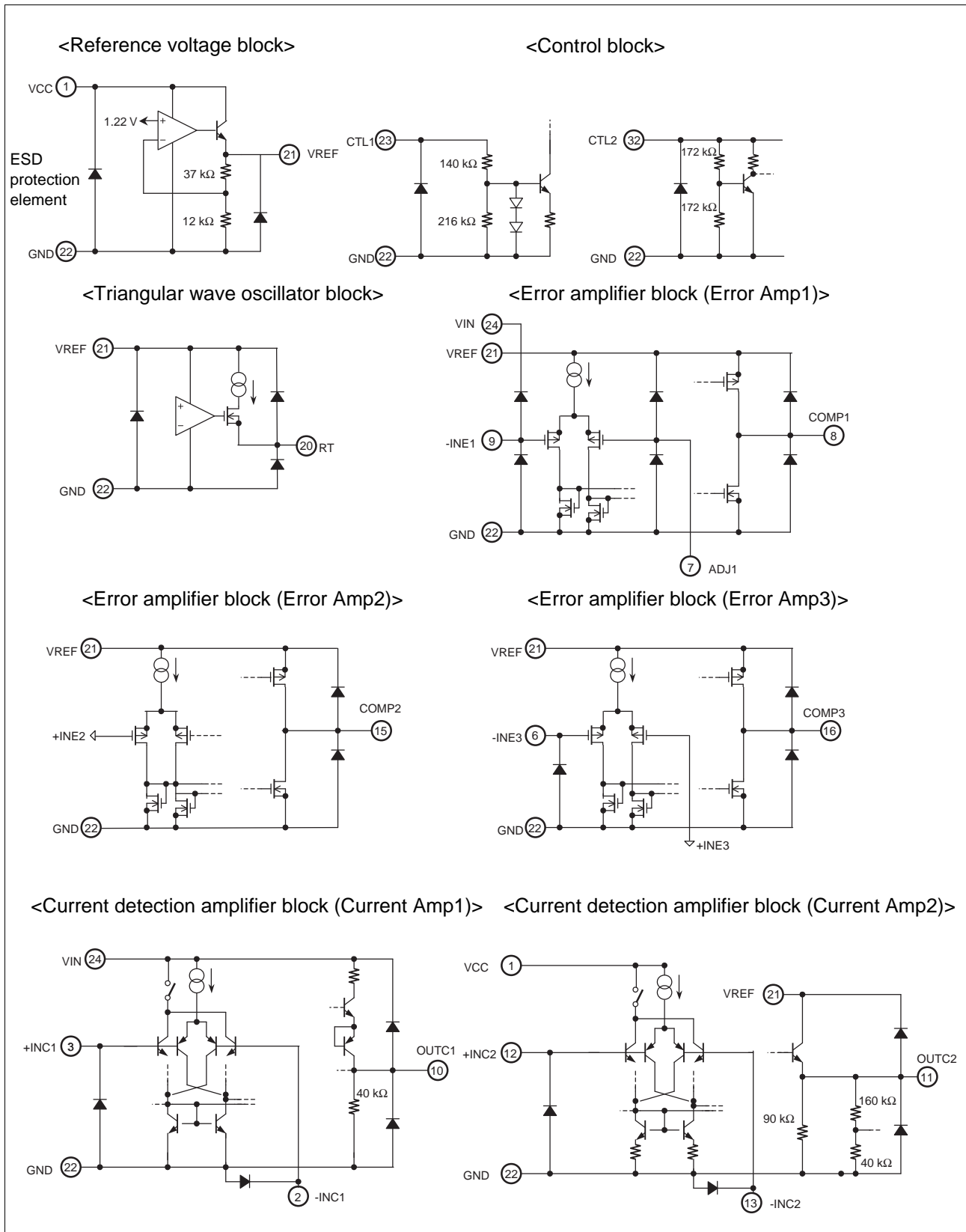
When Current Amp1, Current Amp2 and Error Amp1, Error Amp2 are no used,

- Connect the +INC1 pin (pin 3) and the -INC1 pin (pin 2) to the VREF pin (pin 21)
- Connect the +INC2 pin (pin 12) and the -INC2 pin (pin 13) to the battery
- Leave the OUTC1 pin (pin 10), the OUTC2 pin (pin 11), the COMP1 pin (pin 8) and the COMP2 pin (pin 15) open
- Connect the ADJ1 pin (pin 7) and the ADJ2 pin (pin 14) to the VREF pin
- Connect the -INE1 pin (pin 9) to the GND pin (pin 22)

Moreover, when Current Amp1 is not used, connect the CTL2 pin (pin 32) to the GND pin (pin 22).



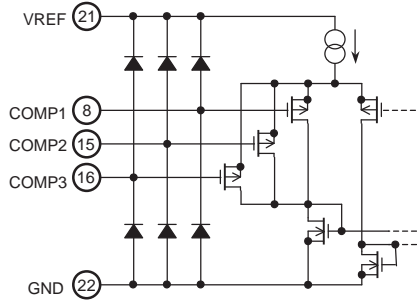
## I/O EQUIVALENT CIRCUIT



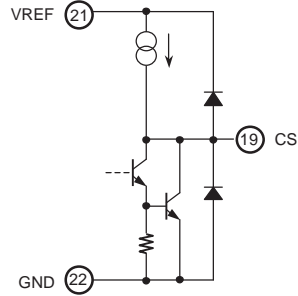
(Continued)

(Continued)

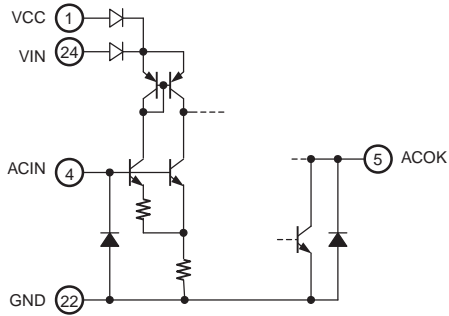
<PWM comparator block >



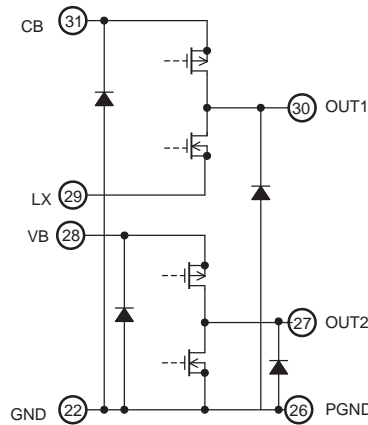
<Soft-start block >



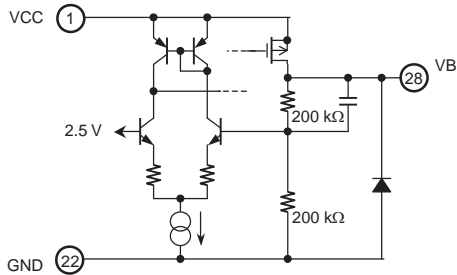
<AC adapter detection block >



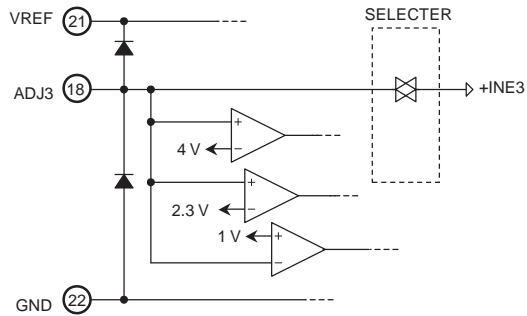
<Output block >



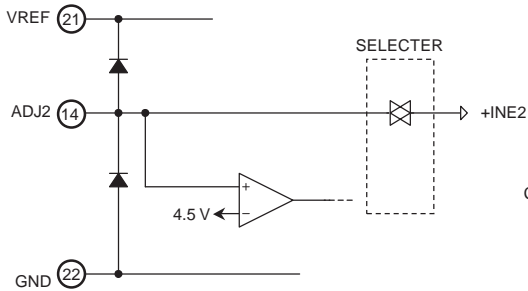
<Bias voltage block >



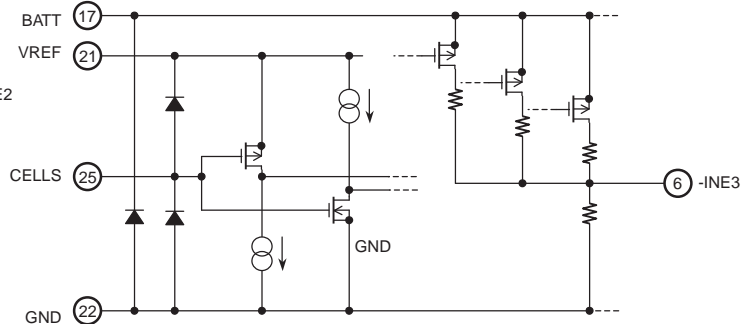
<Charge voltage setting block >



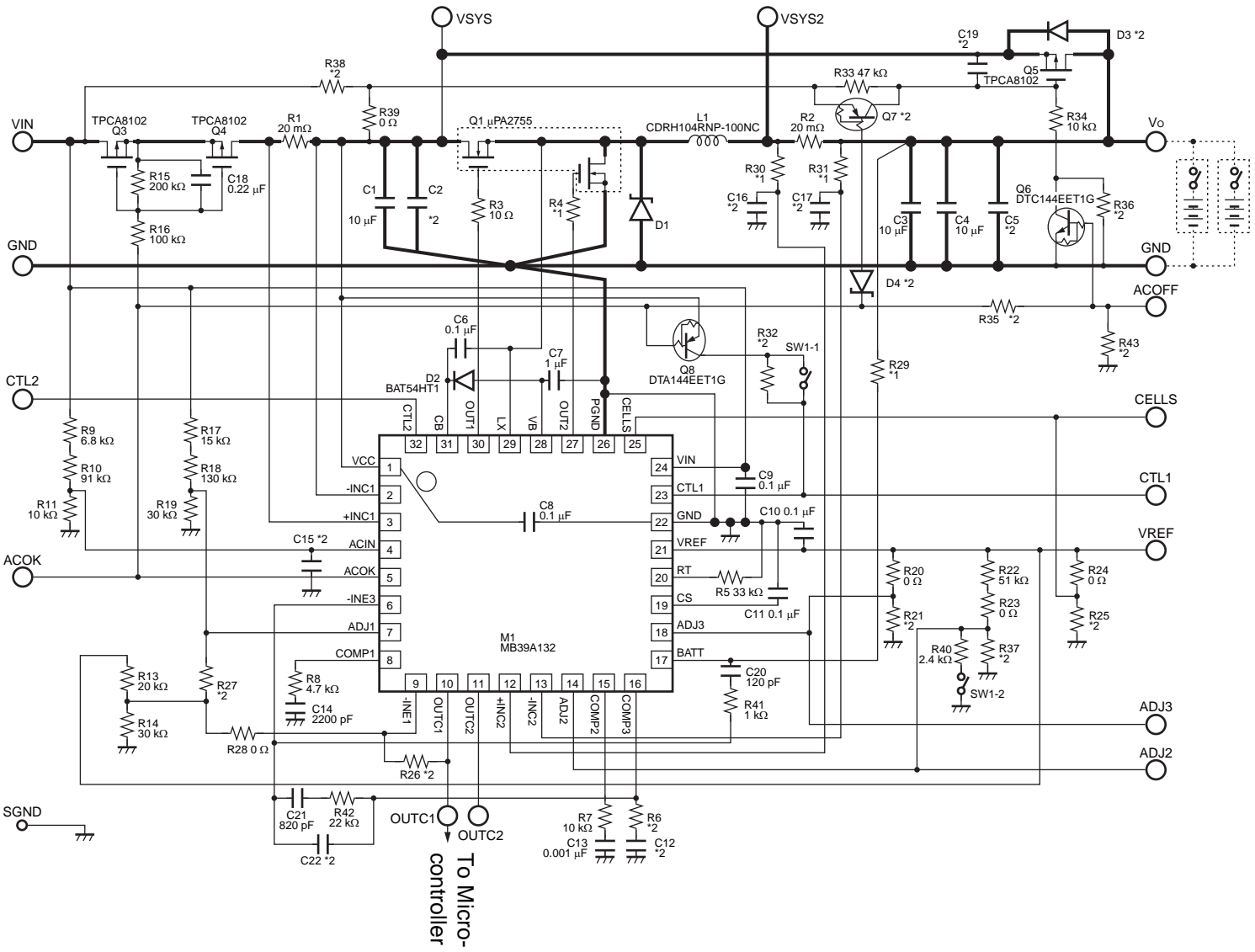
<Charge current setting block >



<Cell switch block >



■ TYPICAL APPLICATION CIRCUIT



\* 1 : Pattern Short  
 \* 2 : Not mounted

# MB39A132

• Parts list

Component	Item	Specification	Vendor	Package	Part Number	Remarks
M1	IC	—	FSL	QFN-32	MB39A132	
Q1	Dual N-ch FET	VDS = - 30 V, ID = 8 A (Max)	RENESAS	SOP-8	μPA2755	
Q3	P-ch FET	VDS = - 30 V, ID = 40 A (Max)	TOSHIBA	SOP Advance	TPCA8102	
Q4	P-ch FET	VDS = - 30 V, ID = 40 A (Max)	TOSHIBA	SOP Advance	TPCA8102	
Q5	P-ch FET	VDS = - 30 V, ID = 40 A (Max)	TOSHIBA	SOP Advance	TPCA8102	
Q6	Transistor	VCEO = 50 V	ON Semi	SC-75	DTC144EET1G	
Q7	Transistor					Not mounted
Q8	Transistor	VCEO = 50 V	ON Semi	SC-75	DTA144EET1G	
D1	Diode	VF = 0.5 V at IF = 2.0 A	Fairchild	SMB	SS23	
D2	Diode	VF = 0.4 V (Max) at IF = 10 mA	ON Semi	SOD-323	BAT54HT1	
D3	Diode					Not mounted
D4	Diode					Not mounted
L1	Inductor	10 μH 35 mΩ Max Irms = 4.4 A	SUMIDA	SMD	CDRH104RNP-100NC	
C1	Ceramic capacitor	10 μF(25 V)	TDK	3216	C3216JB1E106K	
C2	Ceramic capacitor					Not mounted
C3	Ceramic capacitor	10 μF(25 V)	TDK	3216	C3216JB1E106K	
C4	Ceramic capacitor	10 μF(25 V)	TDK	3216	C3216JB1E106K	
C5	Ceramic capacitor					Not mounted
C6	Ceramic capacitor	0.1 μF(50 V)	TDK	1608	C1608JB1H104K	
C7	Ceramic capacitor	1 μF(16 V)	TDK	1608	C1608JB1C105K	
C9	Ceramic capacitor	0.1 μF(50 V)	TDK	1608	C1608JB1H104K	
C10	Ceramic capacitor	0.1 μF(50 V)	TDK	1608	C1608JB1H104K	
C11	Ceramic capacitor	0.1 μF(50 V)	TDK	1608	C1608JB1H104K	
C12	Ceramic capacitor					Not mounted
C13	Ceramic capacitor	0.001 μF(50 V)	TDK	1608	C1608JB1H102K	
C14	Ceramic capacitor	2200 pF(50 V)	TDK	1608	C1608CH1H222J	
C15	Ceramic capacitor					Not mounted
C16	Ceramic capacitor					Not mounted
C17	Ceramic capacitor					Not mounted
C18	Ceramic capacitor	0.22 μF(25 V)	TDK	1608	C1608JB1E224K	
C19	Ceramic capacitor					Not mounted
C20	Ceramic capacitor	120 pF(50 V)	TDK	1608	C1608CH1H121J	
C21	Ceramic capacitor	820 pF(50 V)	TDK	1608	C1608CH1H821J	

(Continued)



Component	Item	Specification	Vendor	Package	Parts No.	Remarks
C22	Ceramic capacitor					Not mounted
R1	Resistor	20 mΩ	KOA	SL1	SL1TTE20L0D	
R2	Resistor	20 mΩ	KOA	SL1	SL1TTE20L0D	
R3	Resistor	10 Ω	SSM	1608	RR0816Q-100-D	Pattern cut
R4	Resistor			1608		Pattern short
R5	Resistor	33 kΩ	SSM	1608	RR0816P333D	
R6	Resistor					Not mounted
R7	Resistor	10 kΩ	SSM	1608	RR0816P103D	
R8	Resistor	4.7 kΩ	SSM	1608	RR0816P472D	
R9	Resistor	6.8 kΩ	SSM	1608	RR0816P682D	
R10	Resistor	91 kΩ	SSM	1608	RR0816P913D	
R11	Resistor	10 kΩ	SSM	1608	RR0816P103D	
R13	Resistor	20 kΩ	SSM	1608	RR0816P203D	
R14	Resistor	30 kΩ	SSM	1608	RR0816P303D	
R15	Resistor	200 kΩ	SSM	1608	RR0816P204D	
R16	Resistor	100 kΩ	SSM	1608	RR0816P104D	
R17	Resistor	15 kΩ	SSM	1608	RR0816P153D	
R18	Resistor	130 kΩ	SSM	1608	RR0816P134D	
R19	Resistor	30 kΩ	SSM	1608	RR0816P303D	
R20	Resistor	0 Ω	KOA	1608	RK73Z1J	
R21	Resistor					Not mounted
R22	Resistor	51 kΩ	SSM	1608	RR0816P513D	
R23	Resistor	0 Ω	KOA	1608	RK73Z1J	
R24	Resistor	0 Ω	KOA	1608	RK73Z1J	
R25	Resistor					Not mounted
R26	Resistor					Not mounted
R27	Resistor					Not mounted
R28	Resistor	0 Ω	KOA	1608	RK73Z1J	
R29	Resistor			1608		Pattern short
R30	Resistor			1608		Pattern short
R31	Resistor			1608		Pattern short
R32	Resistor					Not mounted
R33	Resistor	47 kΩ	SSM	1608	RR0816P473D	
R34	Resistor	10 kΩ	SSM	1608	RR0816P103D	
R35	Resistor					Not mounted
R36	Resistor					Not mounted
R37	Resistor					Not mounted

(Continued)

# MB39A132

(Continued)

Component	Item	Specification	Vendor	Package	Parts No.	Remarks
R38	Resistor					Not mounted
R39	Resistor	0 $\Omega$	KOA	1608	RK73Z1J	
R40	Resistor	2.4 k $\Omega$	SSM	1608	RR0816P242D	
R41	Resistor	1 k $\Omega$	SSM	1608	RR0816P102D	
R42	Resistor	22 k $\Omega$	SSM	1608	RR0816P223D	
R43	Resistor					Not mounted

FSL : Fujitsu Semiconductor Limited

RENESAS : Renesas Electronics Corporation

TOSHIBA : TOSHIBA Corporation

ON Semi : ON Semiconductor

SUMIDA : SUMIDA Corporation

TDK : TDK Corporation

KOA : KOA Corporation

SSM : SUSUMU Co.,Ltd.

Fairchild : Fairchild Semiconductor International, Inc.

## ■ APPLICATION NOTE

- Inductor selection

As a rough guide, the inductance of an inductor should keep the peak-to-peak value of inductor ripple current below 50% of the maximum charge current. The inductance fulfilling the above condition can be found by the following formula.

$$L \geq \frac{V_{IN} - V_O}{LOR \times I_{OMAX}} \times \frac{V_O}{V_{IN} \times f_{OSC}}$$

L : Inductance [H]

I<sub>OMAX</sub> : Maximum charge current [A]

LOR : Inductor ripple current peak to peak value - Maximum charge current ratio (0.5)

V<sub>IN</sub> : Switching power-supply voltage [V]

V<sub>O</sub> : Charge voltage [V]

f<sub>OSC</sub> : Switching frequency [Hz]

The minimum charge current (critical current) in the condition that inductor current does not flow in reverse can be found by the following formula.

$$I_{OC} = \frac{V_O}{2 \times L} \times \frac{V_{IN} - V_O}{V_{IN} \times f_{OSC}}$$

I<sub>OC</sub> : Critical current [A]

L : Inductance [H]

V<sub>IN</sub> : Switching power-supply voltage [V]

V<sub>O</sub> : Charge voltage [V]

f<sub>OSC</sub> : Switching frequency [Hz]

The maximum value of the current flowing through the inductor needs to be found in order to determine whether the current flowing through the inductor is within the rated value. The maximum current flowing through the inductor can be found by the following formula.

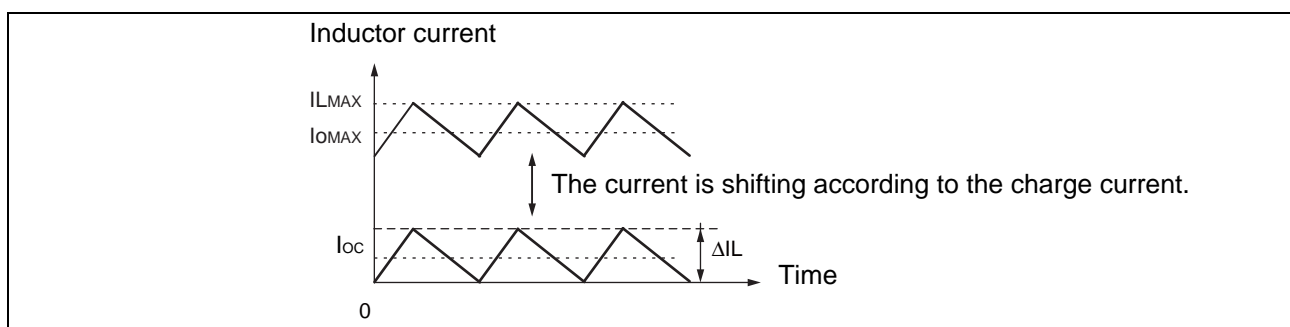
$$I_{LMAX} \geq I_{OMAX} + \frac{\Delta IL}{2}$$

I<sub>LMAX</sub> : Maximum inductor current [A]

I<sub>OMAX</sub> : Maximum charge current [A]

ΔIL : Inductor ripple current peak to peak value [A]

$$\Delta IL \geq \frac{V_{IN} - V_O}{L} \times \frac{V_O}{V_{IN} \times f_{OSC}}$$



- SWFET selection

If MB39A132 is used for the charger for a notebook PC, since the output voltage of an AC adapter, which is the input voltage of an SWFET, is 25 V or less, in general, a 30 V class MOS FET can be used as the SWFET. Obtain the maximum value of the current flowing through the SWFET in order to determine whether the current flowing through the SWFET is within the rated value. The maximum current flowing through the SWFET can be found by the following formula.

$$I_{D\text{MAX}} \geq I_{O\text{MAX}} + \frac{\Delta I_L}{2}$$

$I_{D\text{MAX}}$  : Maximum SWFET drain current [A]

$I_{O\text{MAX}}$  : Maximum charge current [A]

$\Delta I_L$  : Inductor ripple current peak to peak value [A]

In addition, find the loss of the SWFET in order to determine whether the allowable loss of the SWFET is within the rated value. The allowable loss of the high-side of FET can be found by the following formula.

$$P_{\text{HsideFET}} = P_{\text{RON\_Hside}} + P_{\text{SW\_Hside}}$$

$P_{\text{HsideFET}}$  : FET loss of high-side [W]

$P_{\text{RON\_Hside}}$ : FET continuity loss of high-side [W]

$P_{\text{SW\_Hside}}$  : FET switching loss of high-side [W]

## FET continuity loss of high-side

$$P_{\text{RON\_Hside}} = I_{O\text{MAX}}^2 \times \frac{V_o}{V_{\text{IN}}} \times R_{\text{ON\_Hside}}$$

$P_{\text{RON\_Hside}}$ : FET continuity loss of high-side [W]

$I_{O\text{MAX}}$  : Maximum charge current [A]

$V_{\text{IN}}$  : Switching power supply voltage [V]

$V_o$  : Output voltage [V]

$R_{\text{ON\_Hside}}$  : FET ON resistance of high-side [ $\Omega$ ]

## FET switching loss of high-side

$$P_{\text{SW\_Hside}} = \frac{V_{\text{IN}} \times f_{\text{osc}} \times (I_{\text{btm}} \times T_r + I_{\text{top}} \times T_f)}{2}$$

$P_{\text{SW\_Hside}}$  : FET switching loss of high-side [W]

$V_{\text{IN}}$  : Switching power supply voltage [V]

$f_{\text{osc}}$  : Switching frequency (Hz)

$I_{\text{btm}}$  : Bottom value of ripple current of inductor [A]

$$I_{\text{btm}} = I_{\text{OMAX}} - \frac{\Delta I_L}{2}$$

$I_{\text{top}}$  : Top value of ripple current of inductor [A]

$$I_{\text{top}} = I_{\text{OMAX}} + \frac{\Delta I_L}{2}$$

$\Delta I_L$  : Inductor ripple current peak to peak value [A]

$T_r$  : FET turn-on time of high-side [s]

$T_f$  : FET turn-off time of high-side [s]

$T_r$  and  $T_f$  can be easily found by the following formula.

$$T_r = \frac{Q_{gd} \times 4}{5 - V_{gs(\text{on})}} \quad T_f = \frac{Q_{gd} \times 1}{V_{gs(\text{on})}}$$

$Q_{gd}$  : Gate-Drain charge of high-side FET [C]

$V_{gs(\text{on})}$  : Gate-Source voltage of high-side FET with  $Q_{gd}$  [V]

The FET loss of the low-side can be found by the following formula.

$$P_{\text{LosideFET}} = P_{\text{RON\_Loside}} = I_{\text{OMAX}}^2 \times \left(1 - \frac{V_o}{V_{\text{IN}}}\right) \times R_{\text{on\_Loside}}$$

$P_{\text{LosideFET}}$  : FET loss of low-side [W]

$P_{\text{RON\_Loside}}$  : FET continuity loss of low-side [W]

$I_{\text{OMAX}}$  : Maximum charge current [A]

$V_{\text{IN}}$  : Switching power supply voltage [V]

$V_o$  : Output voltage [V]

$R_{\text{on\_Loside}}$  : FET ON resistance of synchronous rectification [ $\Omega$ ]

The FET voltage transiting between drain-source of the low-side is generally small. The SWFET loss is omitted in this document as it is negligible.

Since the power for driving gate of SWFET is supplied by LDO in IC, the SWFET allowable maximum total gate charge ( $Q_{\text{gTotalMax}}$ ) is determined by the following formula.

$$Q_{\text{gTotalMax}} \leq \frac{0.03}{f_{\text{osc}}}$$

$Q_{\text{gTotalMax}}$  : High-side FET allowable maximum total charge [C]

$f_{\text{osc}}$  : Oscillation frequency [Hz]

- Fly-back diode selection

The DC/DC converter control IC needs a fly-back diode.

Select a Schottky barrier diode (SBD) that has a small forward voltage drop.

The current rating value for the fly-back diode can be calculated by the following formula.

$$I_F \geq I_{OMAX} \times \left(1 - \frac{V_o}{V_{IN}}\right)$$

$I_F$  : Current rating value of fly-back diode [A]

$I_{OMAX}$  : Maximum charge current [A]

$V_{IN}$  : Switching power supply voltage [V]

$V_o$  : Charge voltage [V]

The rating of a fly-back diode can be found by the following formula.

$$V_{R\_Fly} > V_{IN}$$

$V_{R\_Fly}$  : DC reverse voltage of fly-back diode [V]

$V_{IN}$  : Switching power supply voltage [V]

- Output capacitor selection

Since a high ESR causes the output ripple voltage to increase, a low-ESR capacitor is needed to be used in order to reduce the output ripple voltage. Use a capacitor that has sufficient ratings to surge current generated when the battery is inserted or removed. Generally, the ceramic capacitor is used as the output capacitor.

With the switching ripple voltage taken into consideration, the minimum capacitance required can be found by the following formula.

$$C_o \geq \frac{1}{2\pi \times f_{osc} \times (\Delta V_o / \Delta I_L - ESR)}$$

$C_o$  : Output capacitance [F]

ESR : Series resistance element of output capacitance [ $\Omega$ ]

$\Delta V_o$  : Switching ripple voltage [V]

$\Delta I_L$  : Inductor ripple current peak to peak value [A]

$f_{osc}$  : Switching frequency [Hz]

Since an overshoot occurs in the DC/DC converter output voltage when a battery being charged is removed, use a capacitor having sufficient withstand voltage. Generally, the capacitor having a rated withstand voltage higher than the maximum input voltage is used.

Moreover, use a capacitor having sufficient tolerance for allowable ripple current. The allowable ripple current required can be found by the following formula.

$$I_{rms} \geq \frac{\Delta I_L}{2\sqrt{3}}$$

$I_{rms}$  : Allowable ripple current (Root-mean-square value) [A]

$\Delta I_L$  : Inductor ripple current peak-to-peak value [A]

- Input capacitor selection

Select an input capacitor that has an ESR as small as possible. A ceramic capacitor is ideal. If a high-capacitance capacitor is needed for which there is no suitable ceramic capacitor use a polymer capacitor or a tantalum capacitor having a low ESR.

The ripple voltage by the switching operation of the DC/DC converter is generated in the power supply voltage. Please consider the lower limit value of the input capacitor according to the allowable ripple voltage. The ripple voltage of the power supply can be easily found by the following formula.

$$\Delta V_{IN} = \frac{I_{OMAX}}{C_{IN}} \times \frac{V_O}{V_{IN} \times f_{OSC}} + ESR \times \left( I_{OMAX} + \frac{\Delta IL}{2} \right)$$

$\Delta V_{IN}$  : Switching power supply ripple voltage peak-to-peak value [V]

$I_{OMAX}$  : Maximum charge current [A]

$C_{IN}$  : Input capacitance [F]

$V_{IN}$  : Switching power supply voltage [V]

$V_O$  : Charge voltage [V]

$f_{OSC}$  : Switching frequency [Hz]

ESR : Series resistance element of input capacitance [ $\Omega$ ]

$\Delta IL$  : Inductor ripple current peak-to-peak value [A]

The ripple voltage of the power supply can be decreased by raising the switching frequency besides using the capacitor.

The capacitor has its own frequency, temperature and bias voltage, therefore its effective capacitance can be extremely small depending on the application conditions.

Select a capacitor whose rating has a sufficient margin against input voltage.

In addition, when using a capacitor having an allowable ripple current rating, select a capacitor that has a sufficient margin against ripple current.

The allowable ripple current can be found by the following formula.

$$I_{rms} \geq I_{OMAX} \times \frac{\sqrt{V_O \times (V_{IN} - V_O)}}{V_{IN}}$$

$I_{rms}$  : Allowable ripple current (Root-mean-square value) [A]

$I_{OMAX}$  : Maximum charge current [A]

$V_{IN}$  : Switching power supply voltage [V]

$V_O$  : Charge voltage [V]



- Bootstrap diode selection

Select a Schottky barrier diode (SBD) that has a small forward voltage drop.

The current to drive the gate of High-side FET flows to the SBD of the bootstrap circuit. The average current can be found by the following formula. Select a bootstrap diode that keep the average current below the current rating.

$$I_D \geq Q_g \times f_{osc}$$

$I_D$  : Forward current [A]

$Q_g$  : FET total gate electric charge of high-side [C]

$f_{osc}$  : Oscillation frequency [Hz]

The rating of the bootstrap diode can be found by the following formula.

$$V_{R\_BOOT} > V_{IN}$$

$V_{R\_BOOT}$  : Bootstrap diode DC reverse voltage [V]

$V_{IN}$  : Switching power supply voltage [V]

- Bootstrap capacitor selection

The bootstrap capacitor needs to be sufficiently charged to drive the gate of the high-side FET. Therefore, select a capacitor that can store charge at least 10 times  $Q_g$  of the high-side FET as the bootstrap capacitor.

$$C_{BOOT} \geq 10 \times \frac{Q_g}{V_B}$$

$C_{BOOT}$  : Bootstrap capacitance [F]

$Q_g$  : Withstand voltage FET gate charge [C]

$V_B$  : VB voltage [V]

The rating of bootstrap capacitor can be found by the following formula.

$$V_{CBOOT} > V_{IN}$$

$V_{CBOOT}$  : Rating of bootstrap capacitor [V]

$V_{IN}$  : Switching power supply voltage [V]

- VB capacitor

Although the typical capacitance value for a VB capacitor is 1  $\mu$ F, it has to be adjusted if the switching FET used has a large Qg. The bootstrap capacitor needs to be sufficiently charged to drive the gate of the high-side FET. Therefore, select a capacitor that can store charge at least 100 times the total of Qg of the high-side FET and Qg of the low-side switching FET as the VB capacitor.

$$C_{VB} \geq 100 \times \frac{Qg}{V_B}$$

$C_{VB}$  : VB pin capacitance [F]

Qg : Total gate charge of high-side FET and low-side switching FET [C]

$V_B$  : VB voltage [V]

The rating of VB capacitor can be found by the formula.

$$V_{CVB} > V_B$$

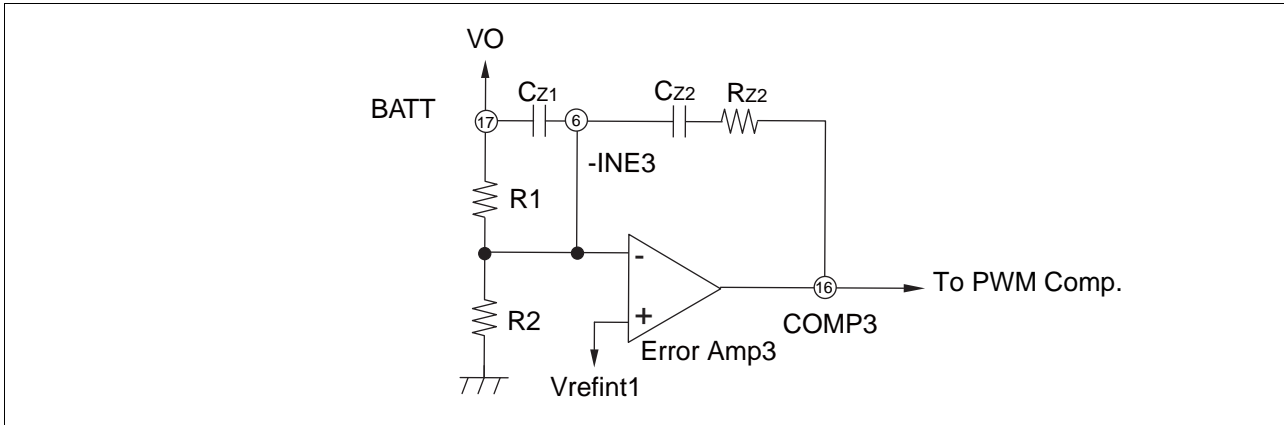
$V_{CVB}$  : Withstand voltage of VB capacitor [V]

$V_B$  : VB voltage [V]

- Design of phase compensation circuit
- (1) Constant voltage (CV) mode phase compensation circuit

When a low-ESR capacitor, such as a ceramic capacitor, is used as the output capacitor, it is easier for the DC/DC converter to oscillate as the phase delay approaches 180 degrees due to the resonance frequency of LC. In this situation, perform phase compensation by connecting a RC phase lead compensator between the -INE3 pin (pin 6) and the COMP3 pin (pin 16), and between the -INE3 pin (pin 6) and the BATT pin (pin 17).

2pole-2zero phase compensation circuit



The constant for the phase lead compensation circuit can be found by the following formula.

$$C_{Z1} \doteq \frac{5.1 \times 10^{-6}}{(2 \times \text{CELLS} - 1) f_{LC}}$$

$$R_{Z2} \doteq 8.9 \times 10^4 \times \frac{f_{CO}}{V_{IN} \times f_{LC}} + 3600$$

$$C_{Z2} \doteq \frac{1}{2\pi \times R_{Z2} \times f_{LC}}$$

CELLS : Number of battery series cells

$f_{LC}$  : Resonance frequency of inductor and output capacitor [Hz]

$V_{IN}$  : Switching power supply voltage [V]

$f_{CO}$  : Crossover frequency [Hz]

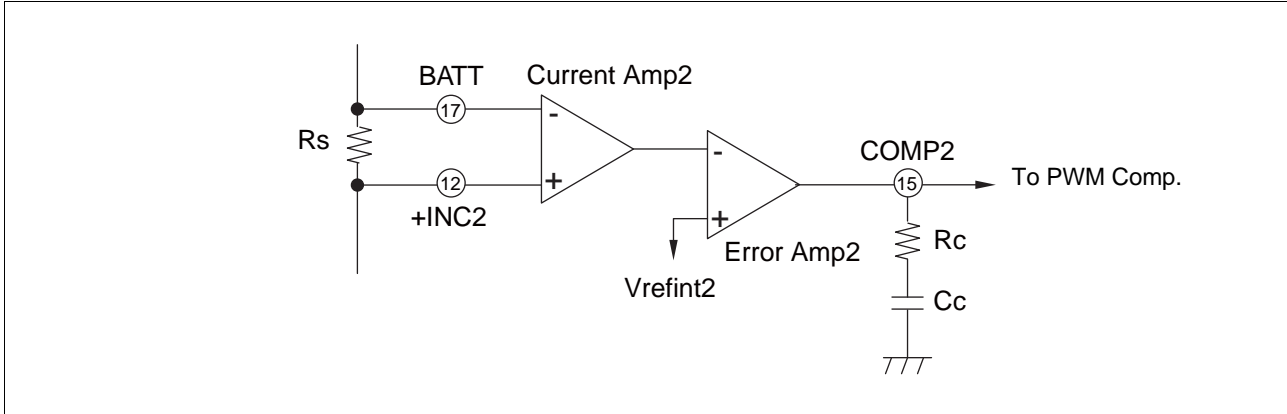
As for the crossover frequency ( $f_{CO}$ ) indicating the bandwidth of the control loop of the DC/DC converter, while a high crossover frequency is good for quick response, it increases the risk of oscillation due to an insufficient phase margin.

Though this crossover frequency can be freely set, keep the frequency in the range of 1/10-1/5 of the switching frequency ( $f_{OSC}$ ) whenever possible.

## (2) Constant current (CC) mode phase compensation circuit

In constant current mode, since the output capacitor impedance has little effects on the loop response characteristic, connect the 1pole-1zero phase compensation circuit with the output pin (COMP2) of the error amplifier 2 (gm amplifier).

### 1pole-1zero phase compensation circuit



$R_C$  and  $C_C$  of the phase lead circuit can be found by the following formula.

$$R_C \cong 1.2 \times 10^4 \times \frac{f_{CO} \times L}{R_S \times V_{IN}}$$

$$C_C \cong \frac{\sqrt{L \times C_O}}{R_C}$$

$R_S$  : Charge current detection resistance [ $\Omega$ ]

$V_{IN}$  : Switching power supply voltage [V]

$L$  : Inductor value [H]

$C_O$  : Output capacitance [F]

$f_{CO}$  : Crossover frequency [Hz]

- Allowable loss, and thermal design

In general, the allowable loss and thermal design of this IC can be ignored because this IC is highly effective. However, when this IC is used with high power supply voltage, high switching frequency, high load, or high temperature, it is necessary to take account of the allowable loss and thermal design while using this IC.

The IC internal loss (P<sub>IC</sub>) can be found by the following formula.

$$P_{IC} = V_{CC} \times (I_{CC} + Q_g \times f_{osc})$$

P<sub>IC</sub> : IC internal loss [W]

V<sub>CC</sub> : Power supply voltage (V<sub>IN</sub>) [V]

I<sub>CC</sub> : Power supply current [A] (3.6 mA Max)

Q<sub>g</sub> : Total charge of all switching FET [C] (Total charge at V<sub>gs</sub> = 5 V)

f<sub>osc</sub> : Switching frequency [Hz]

The junction temperature (T<sub>j</sub>) can be found by the following formula.

$$T_j = T_a + \theta_{ja} \times P_{IC}$$

T<sub>j</sub> : Junction temperature [ °C]

T<sub>a</sub> : Ambient temperature [ °C]

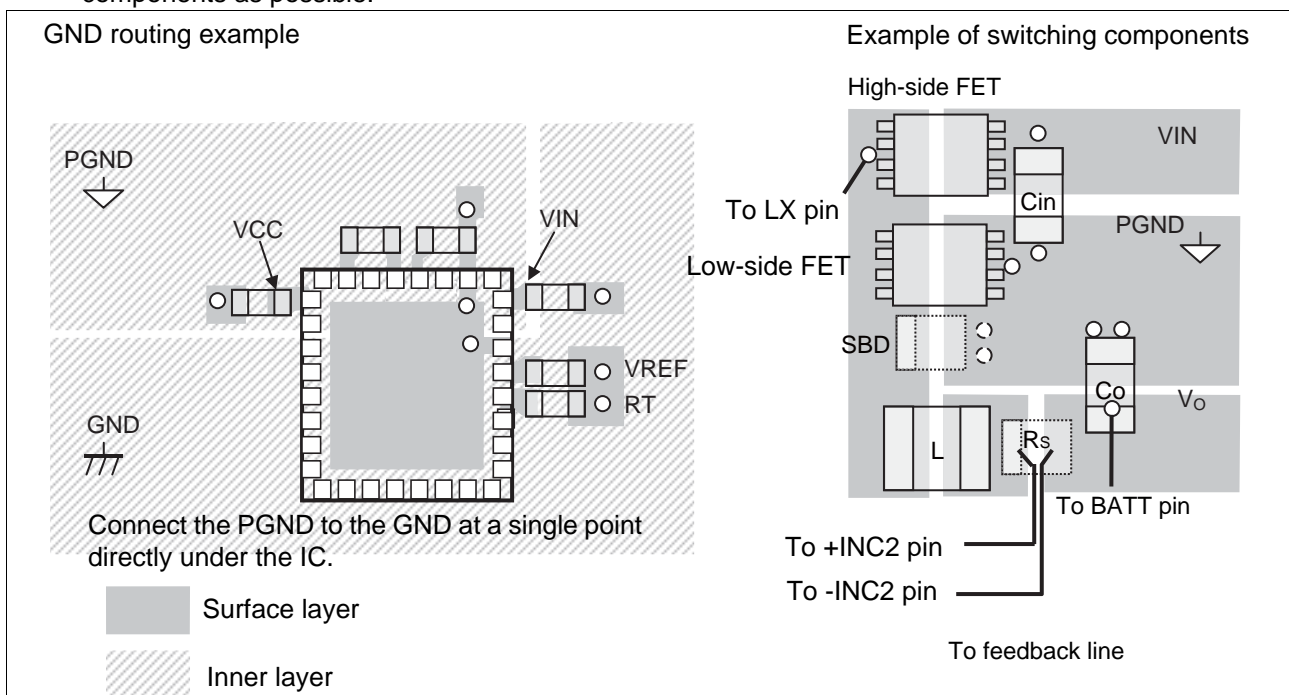
θ<sub>ja</sub> : QFN-32 package heat resistance (22.7 °C/W)

P<sub>IC</sub> : IC internal loss [W]

- Board layout

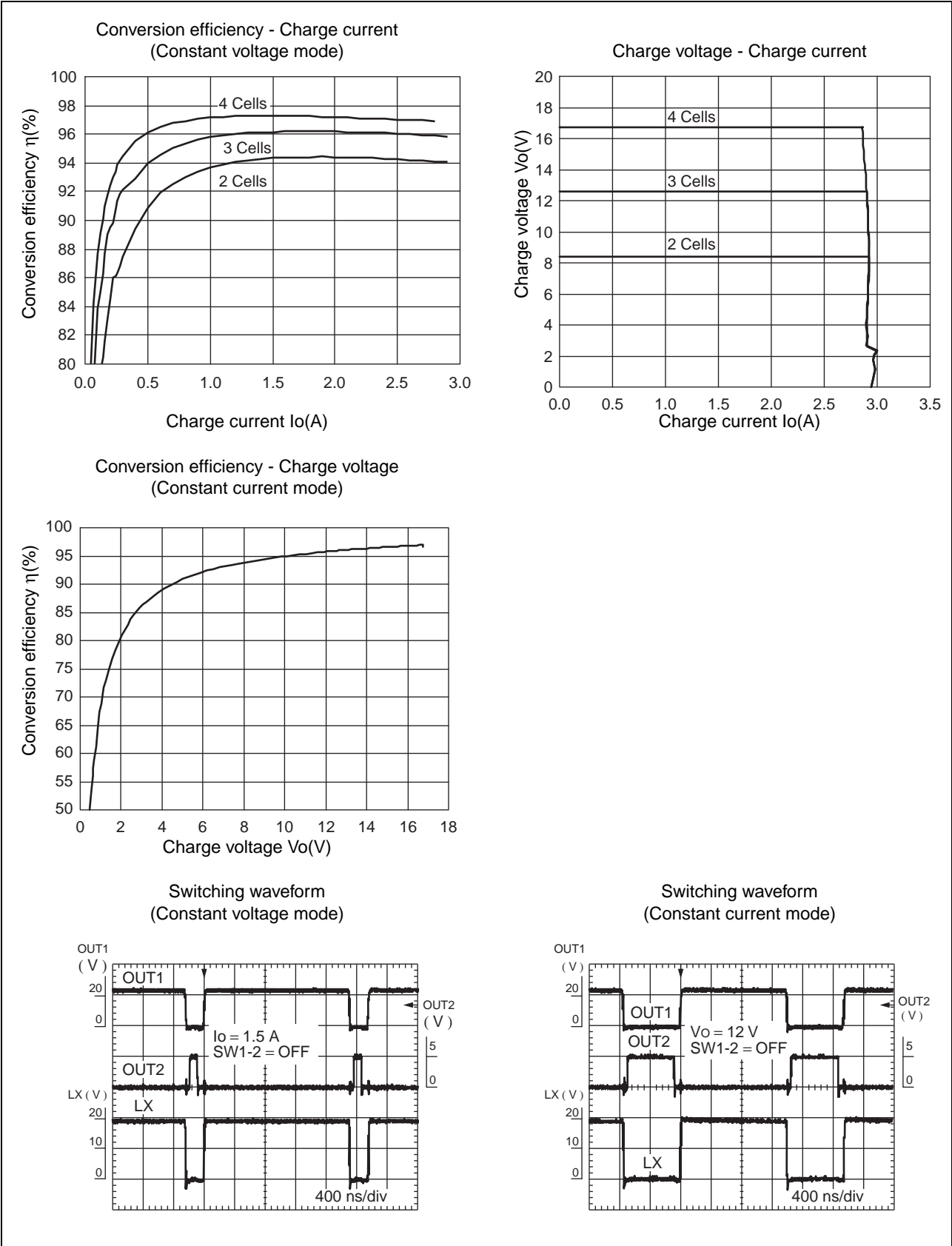
When designing the layout, consider the points listed below. Take account of the following points when designing the board layout.

- Place a GND plane on the IC mounting surface whenever possible. Connect bypass capacitors connected to switching components to the switching GND (PGND pin), and controller components to GND (GND pin). Separate different GND so that no large current path passes through the controller GND (GND pins). When designing the connection of the controller GND and the switching GND, make their connection underneath the IC. Connect PGND to the controller GND at only one point to prevent large current from flowing to the controller GND. Connect the controller GND to PGND only at one point of PGND in order to prevent a large current path from passing the controller GND.
- Connect to the input capacitor ( $C_{IN}$ ), SWFET, SBD, inductor (L), sense resistor ( $R_s$ ), output capacitor ( $C_o$ ) on the surface layer. Do not connect to them via any through-hole.
- For a loop composed of input capacitors ( $C_{IN}$ ), switching FET and SBD, minimize its current loop. When minimizing routing and loops, give priority to this loop over others.
- Create through-holes directly next to the GND pins of the input capacitor ( $C_{IN}$ ), SBD, output capacitor ( $C_o$ ), and connect these pins to the GND of the inner layer.
- Place the boot strap capacitor ( $C_{BOOT}$ ) as close to the CB, LX pins as possible.
- Place the input capacitor ( $C_{IN}$ ) and high-side FET as close together as possible. Bring out the net of the LX pin from a point close to the source pin of the high-side FET. Large currents momentarily flow through the net of the LX pin. Use a wiring width of about 0.8 mm, and minimize the length of routing.
- Large currents momentarily flow through the nets of the OUT1, OUT2 pins, which are connected to the switching FET gate. Use a wiring width of about 0.8 mm and minimize the length of routing.
- Place the bypass capacitor connected to VCC, VIN, VREF, and VB pins, and the resistance connected to the RT pin as close to the respective pins as possible. Moreover, connect the bypass capacitor and the GND pin of the  $f_{osc}$ :setting resistance in close proximity to the GND pin of the IC.  
(Strengthen the connection to the internal layer GND by making through-holes in close proximity to each of the GND pin of the IC, terminals of bypass capacitors, terminals of the  $f_{osc}$  setting resistors.)
- -INCx,+INCx, BATT,COMPx,RT pins is sensitive to noise. Therefore, minimize the routing of these pins and keep them as far away from switching components as possible.
- The remote sensing (Kelvin connection) of the routing of the -INC2 and +INC2 pins are very sensitive to noise. Therefore, make their routing close to each other and keep the routing as far away from switching components as possible.

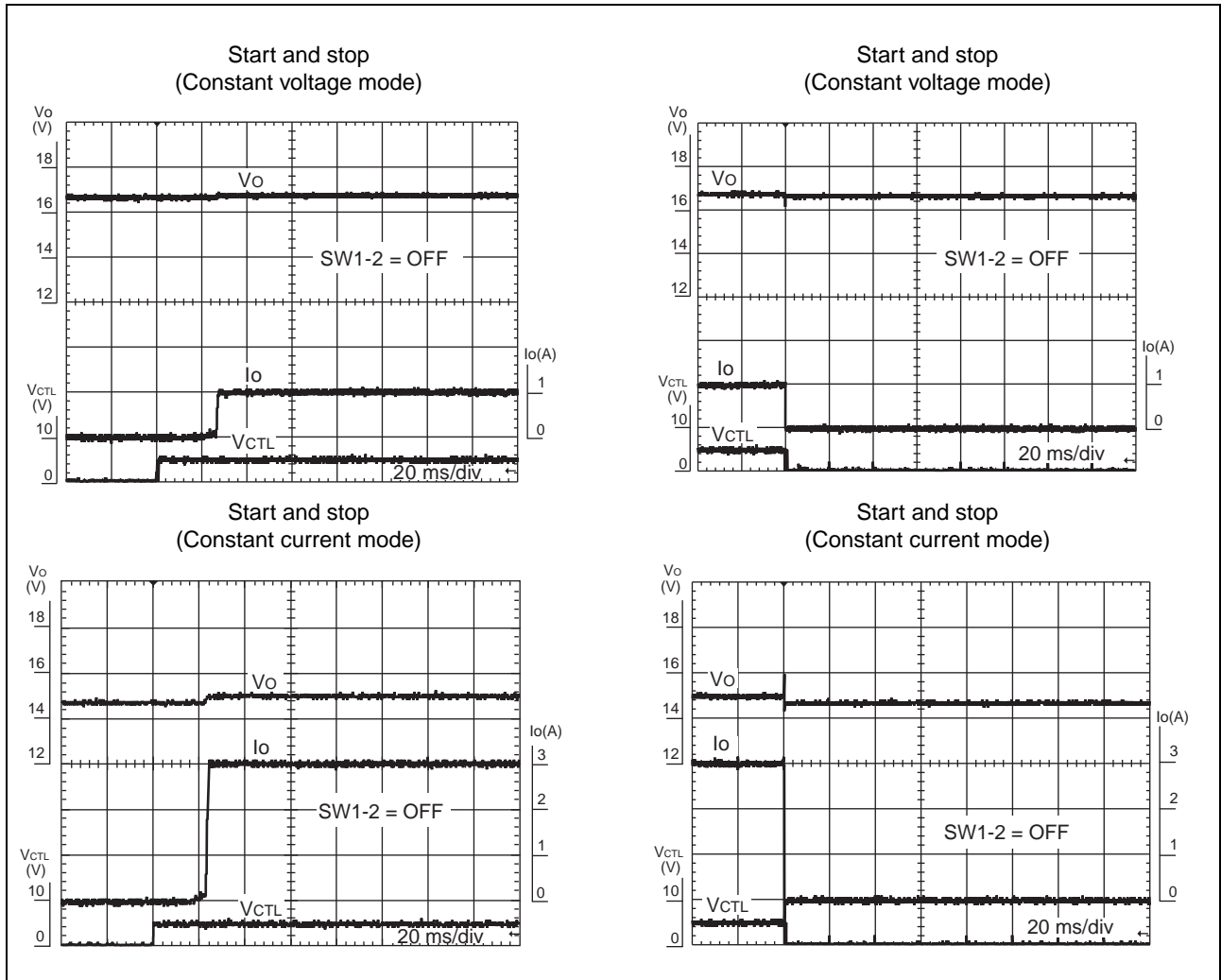


## REFERENCE DATA

Unless otherwise specified, the measurement conditions are  $V_{IN} = 19\text{ V}$ ,  $I_o = 2.85\text{ A}$ , Li+ battery 4 Cells, and  $T_a = +25\text{ }^\circ\text{C}$ .



(Continued)

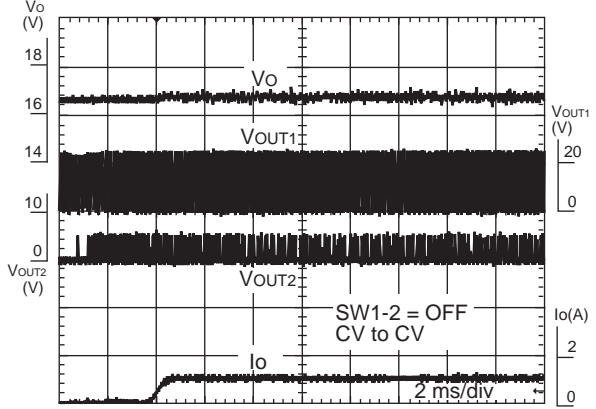


(Continued)

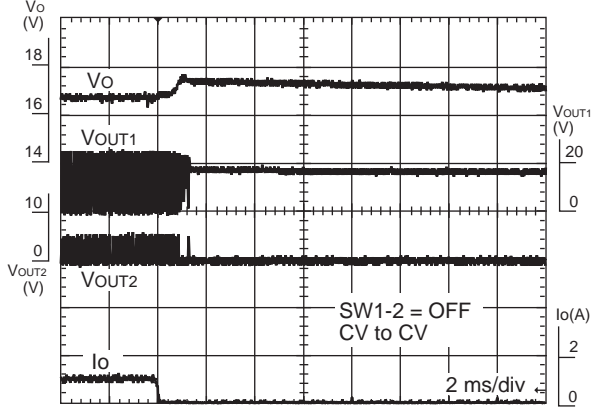


(Continued)

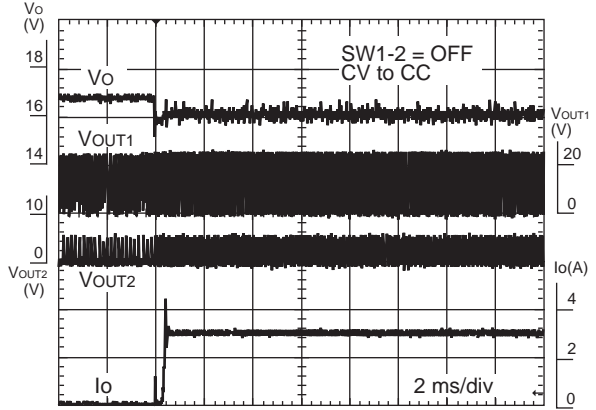
Load-step response  
(Constant voltage mode)  
Battery insertion



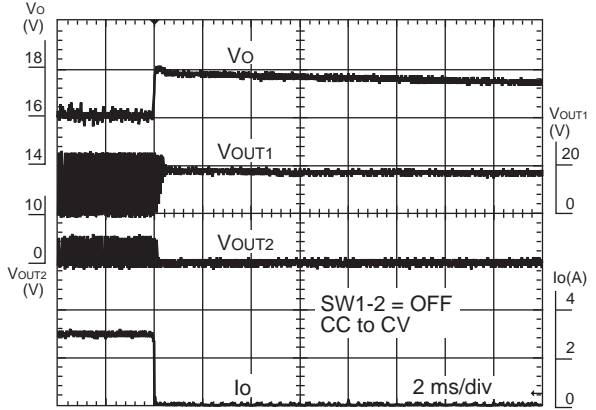
Load-step response  
(Constant voltage mode)  
Battery removal



Load-step response  
(Constant current mode)  
Battery insertion



Load-step response  
(Constant current mode)  
Battery removal



## ■ USAGE PRECAUTION

### 1. Do not configure the IC over the maximum ratings

If the IC is used over the maximum ratings, the LSI may be permanently damaged.

It is preferable for the device to be normally operated within the recommended usage conditions. Usage outside of these conditions can have a bad effect on the reliability of the LSI.

### 2. Use the devices within recommended operating conditions

The recommended operating conditions are the recommended values that guarantee the normal operations of LSI.

The electrical ratings are guaranteed when the device is used within the recommended operating conditions and under the conditions stated for each item.

### 3. Printed circuit board ground lines should be set up with consideration for common impedance

### 4. Take appropriate measures against static electricity

- Containers for semiconductor materials should have anti-static protection or be made of conductive material.
- After mounting, printed circuit boards should be stored and shipped in conductive bags or containers.
- Work platforms, tools, and instruments should be properly grounded.
- Working personnel should be grounded with resistance of 250 k $\Omega$  to 1 M $\Omega$  in series between body and ground.

### 5. Do not apply negative voltages

The use of negative voltages below  $-0.3$  V may cause the parasitic transistor to be activated on LSI lines, which can cause malfunctions.

## ■ ORDERING INFORMATION

Part number	Package	Remarks
MB39A132WQN	32-pin plastic QFN (LCC-32P-M19)	

## ■ EV BOARD ORDERING INFORMATION

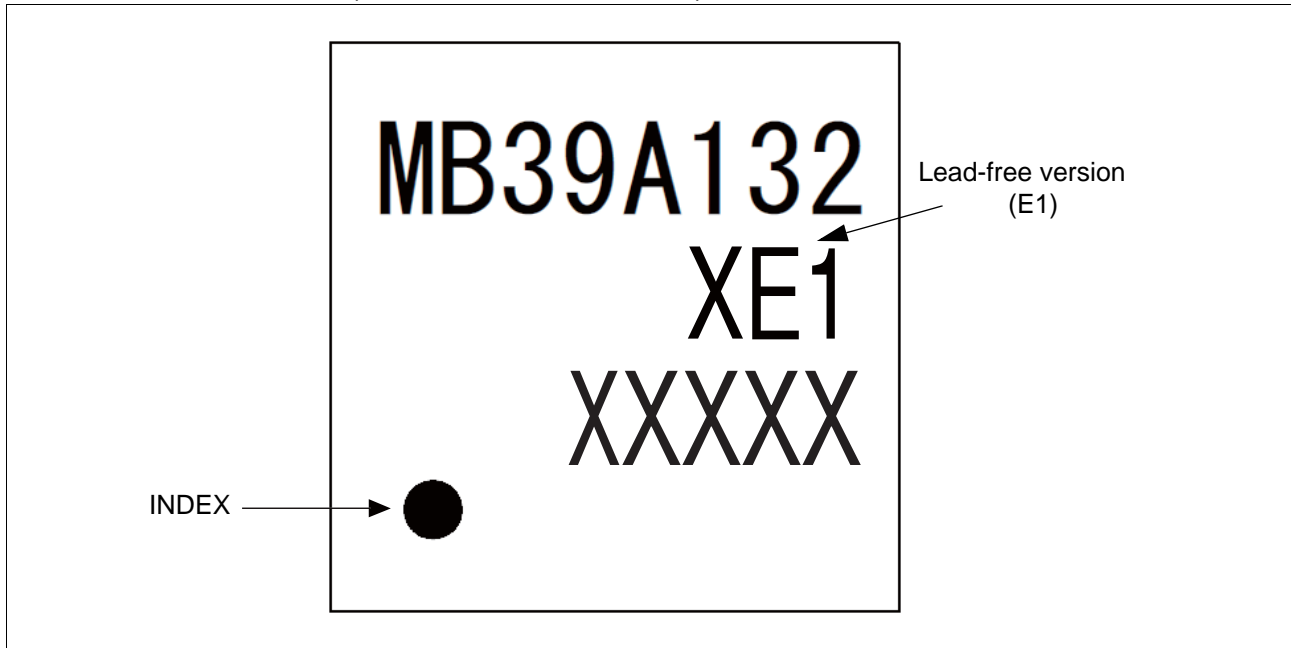
EV board part No.	EV board version No.	Remarks
MB39A132EVB-02	Board rev.2.0	QFN-32

## ■ RoHS COMPLIANCE INFORMATION OF LEAD (Pb) FREE VERSION

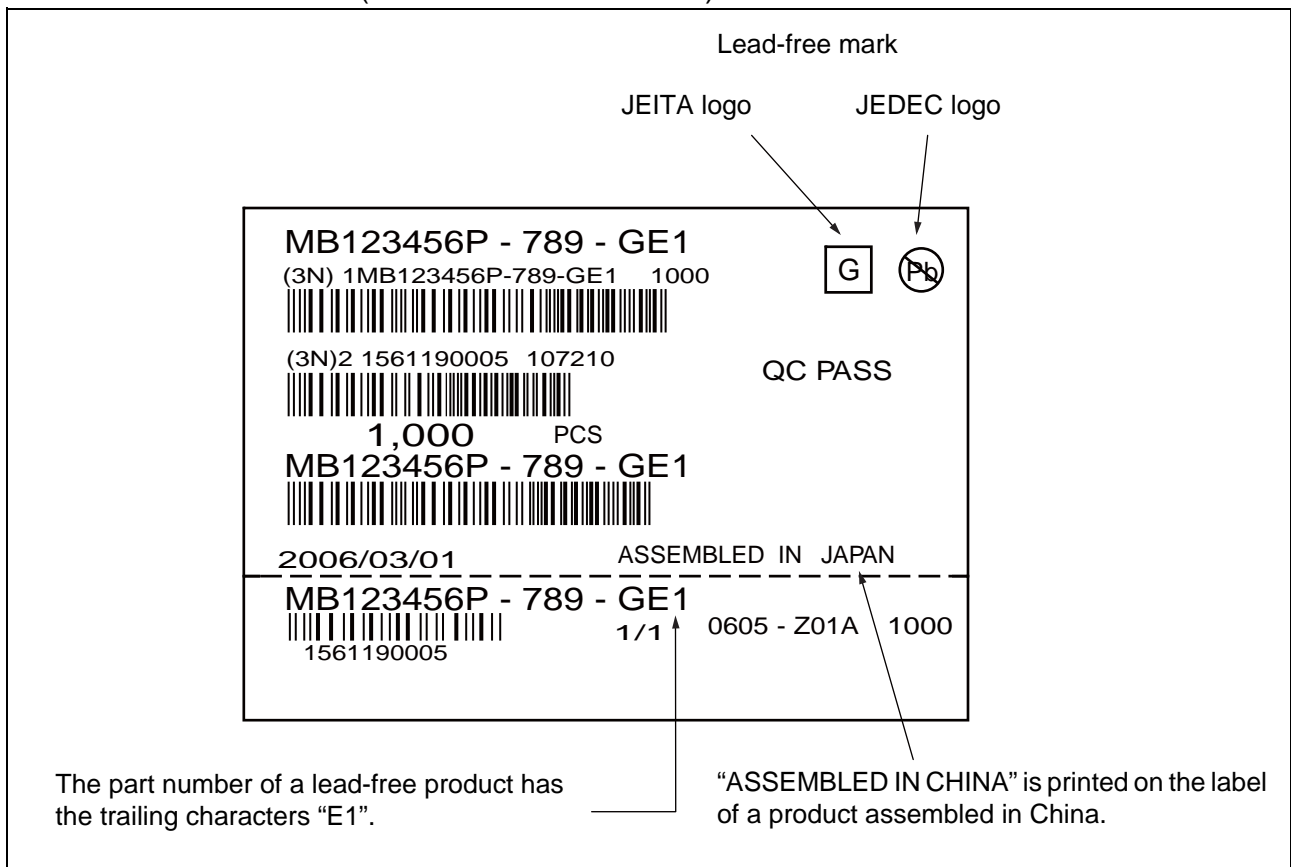
The LSI products of FUJITSU SEMICONDUCTOR with “E1” are compliant with RoHS Directive, and has observed the standard of lead, cadmium, mercury, hexavalent chromium, polybrominated biphenyls (PBB), and polybrominated diphenyl ethers (PBDE).

A products whose part number has trailing characters “E1” is RoHS compliant.

## ■ MARKING FORMAT (LEAD-FREE VERSION)



## ■ LABELING SAMPLE (LEAD-FREE VERSION)



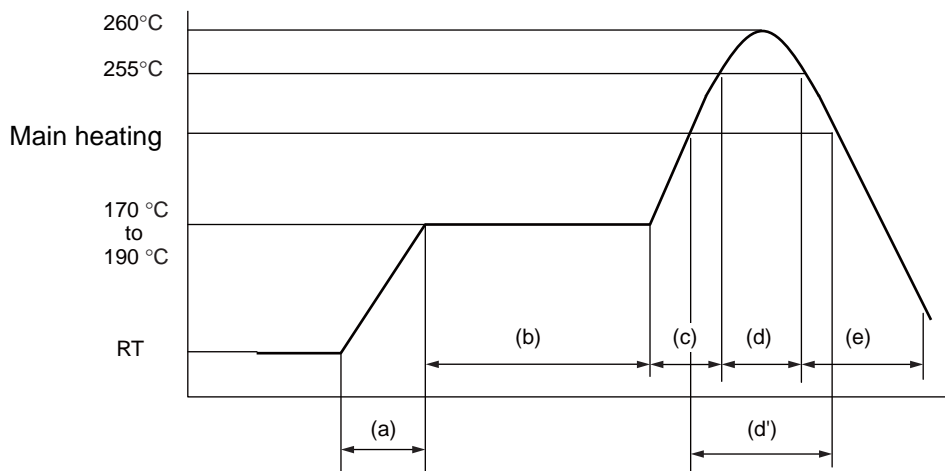
## ■ MB39A132WQN RECOMMENDED CONDITIONS OF MOISTURE SENSITIVITY LEVEL

### [Fujitsu Semiconductor Recommended Mounting Conditions]

Item	Condition	
Mounting Method	IR (infrared reflow) , Manual soldering (partial heating method)	
Mounting times	2 times	
Storage period	Before opening	Please use it within two years after Manufacture.
	From opening to the 2nd reflow	Less than 8 days
	When the storage period after opening was exceeded	Please process within 8 days after baking (125 °C, 24H)
Storage conditions	5 °C to 30 °C, 70%RH or less (the lowest possible humidity)	

### [Mounting Conditions]

#### (1) IR (infrared reflow)



“H” level : 260 °C Max

- (a) Temperature increase gradient : Average 1 °C/s to 4 °C/s
- (b) Preliminary heating : Temperature 170 °C to 190 °C, 60 s to 180 s
- (c) Temperature increase gradient : Average 1 °C/s to 4 °C/s
- (d) Peak temperature : Temperature 260 °C Max; 255 °C or more, 10 s or less
- (d') Main heating : Temperature 230 °C or more, 40 s or less  
or  
Temperature 225 °C or more, 60 s or less  
or  
Temperature 220 °C or more, 80 s or less
- (e) Cooling : Natural cooling or forced cooling

(Note)Temperature : on the top of the package body

#### (2) Manual soldering (partial heating method)

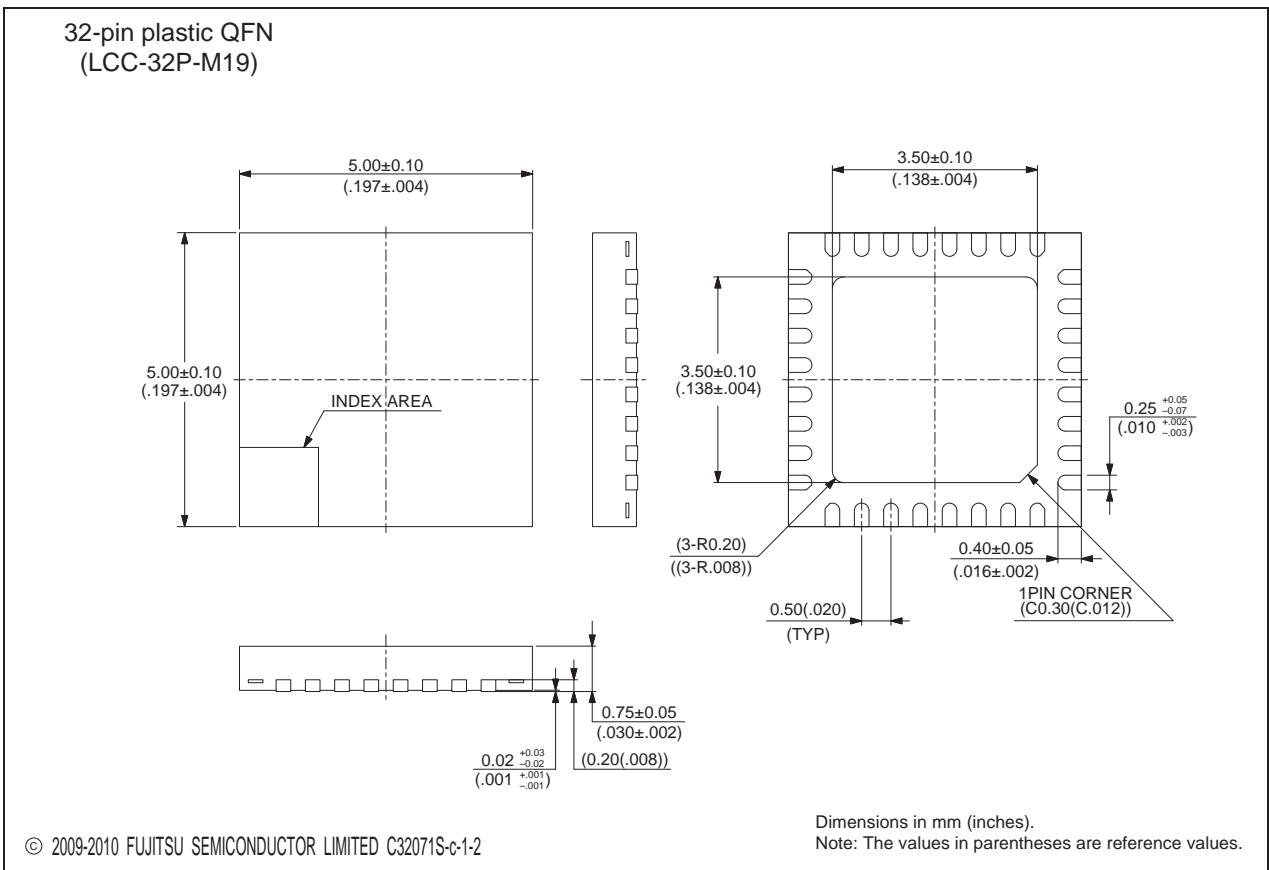
Temperature at the tip of a soldering iron: 400 °C max

Time: Five seconds or below per pin

# MB39A132

## ■ PACKAGE DIMENSIONS

<p>32-pin plastic QFN</p> <p>(LCC-32P-M19)</p>	Lead pitch	0.50 mm
	Package width × package length	5.00 mm × 5.00 mm
	Sealing method	Plastic mold
	Mounting height	0.80 mm MAX
	Weight	0.06 g



Please check the latest package dimension at the following URL.  
<http://edevic.fujitsu.com/package/en-search/>

## ■ MAJOR CHANGES IN THIS EDITION

A change on a page is indicated by a vertical line drawn on the left side of that page.

Page	Section	Change Results
31	■ TYPICAL APPLICATION CIRCUIT	Deleted annotation symbol.
32	• Parts list	Revised symbol "D1".
38	■ APPLICATION NOTE • Fly-back diode selection	Revised the description.

## ■ CONTENTS

	page
- DESCRIPTION .....	1
- FEATURES .....	1
- APPLICATIONS .....	2
- PIN ASSIGNMENT .....	2
- PIN DESCRIPTIONS .....	3
- BLOCK DIAGRAM .....	5
- ABSOLUTE MAXIMUM RATINGS .....	6
- RECOMMENDED OPERATING CONDITIONS .....	7
- ELECTRICAL CHARACTERISTICS .....	9
- TYPICAL CHARACTERISTICS .....	14
- FUNCTIONAL DESCRIPTION .....	16
- SETTING THE CHARGE VOLTAGE .....	22
- SETTING THE CHARGE CURRENT .....	23
- SETTING DYNAMICALLY-CONTROLLED CHARGING .....	25
- SETTING THE SOFT-START TIME .....	26
- TRANSIT RESPONSE AT STEP LOAD CHANGE .....	27
- CONNECTION WITHOUT USING THE CURRENT AMP1,CURRENT AMP2 AND THE ERROR AMP1, ERROR AMP2 .....	28
- I/O EQUIVALENT CIRCUIT .....	29
- TYPICAL APPLICATION CIRCUIT .....	31
- APPLICATION NOTE .....	35
- REFERENCE DATA .....	47
- USAGE PRECAUTION .....	50
- ORDERING INFORMATION .....	51
- EV BOARD ORDERING INFORMATION .....	51
- RoHS COMPLIANCE INFORMATION OF LEAD (Pb) FREE VERSION .....	52
- MARKING FORMAT (LEAD-FREE VERSION) .....	52
- LABELING SAMPLE (LEAD-FREE VERSION) .....	52
- MB39A132WQN RECOMMENDED CONDITIONS OF MOISTURE SENSITIVITY LEVEL .....	53
- PACKAGE DIMENSIONS .....	54
- MAJOR CHANGES IN THIS EDITION .....	55



**MEMO**

**MEMO**

**MEMO**

## FUJITSU SEMICONDUCTOR LIMITED

Nomura Fudosan Shin-yokohama Bldg. 10-23, Shin-yokohama 2-Chome,  
Kohoku-ku Yokohama Kanagawa 222-0033, Japan

Tel: +81-45-415-5858

<http://jp.fujitsu.com/fsl/en/>

*For further information please contact:*

### North and South America

FUJITSU SEMICONDUCTOR AMERICA, INC.

1250 E. Arques Avenue, M/S 333

Sunnyvale, CA 94085-5401, U.S.A.

Tel: +1-408-737-5600 Fax: +1-408-737-5999

<http://us.fujitsu.com/micro/>

### Asia Pacific

FUJITSU SEMICONDUCTOR ASIA PTE. LTD.

151 Lorong Chuan,

#05-08 New Tech Park 556741 Singapore

Tel : +65-6281-0770 Fax : +65-6281-0220

<http://sg.fujitsu.com/semiconductor/>

### Europe

FUJITSU SEMICONDUCTOR EUROPE GmbH

Pittlerstrasse 47, 63225 Langen, Germany

Tel: +49-6103-690-0 Fax: +49-6103-690-122

<http://emea.fujitsu.com/semiconductor/>

FUJITSU SEMICONDUCTOR SHANGHAI CO., LTD.

30F, Kerry Parkside, 1155 Fang Dian Road, Pudong District,

Shanghai 201204, China

Tel : +86-21-6146-3688 Fax : +86-21-6146-3660

<http://cn.fujitsu.com/fss/>

### Korea

FUJITSU SEMICONDUCTOR KOREA LTD.

902 Kosmo Tower Building, 1002 Daechi-Dong,

Gangnam-Gu, Seoul 135-280, Republic of Korea

Tel: +82-2-3484-7100 Fax: +82-2-3484-7111

<http://kr.fujitsu.com/fsk/>

FUJITSU SEMICONDUCTOR PACIFIC ASIA LTD.

2/F, Green 18 Building, Hong Kong Science Park,

Shatin, N.T., Hong Kong

Tel : +852-2736-3232 Fax : +852-2314-4207

<http://cn.fujitsu.com/fsp/>

Specifications are subject to change without notice. For further information please contact each office.

### All Rights Reserved.

The contents of this document are subject to change without notice.

Customers are advised to consult with sales representatives before ordering.

The information, such as descriptions of function and application circuit examples, in this document are presented solely for the purpose of reference to show examples of operations and uses of FUJITSU SEMICONDUCTOR device; FUJITSU SEMICONDUCTOR does not warrant proper operation of the device with respect to use based on such information. When you develop equipment incorporating the device based on such information, you must assume any responsibility arising out of such use of the information.

FUJITSU SEMICONDUCTOR assumes no liability for any damages whatsoever arising out of the use of the information.

Any information in this document, including descriptions of function and schematic diagrams, shall not be construed as license of the use or exercise of any intellectual property right, such as patent right or copyright, or any other right of FUJITSU SEMICONDUCTOR or any third party or does FUJITSU SEMICONDUCTOR warrant non-infringement of any third-party's intellectual property right or other right by using such information. FUJITSU SEMICONDUCTOR assumes no liability for any infringement of the intellectual property rights or other rights of third parties which would result from the use of information contained herein.

The products described in this document are designed, developed and manufactured as contemplated for general use, including without limitation, ordinary industrial use, general office use, personal use, and household use, but are not designed, developed and manufactured as contemplated (1) for use accompanying fatal risks or dangers that, unless extremely high safety is secured, could have a serious effect to the public, and could lead directly to death, personal injury, severe physical damage or other loss (i.e., nuclear reaction control in nuclear facility, aircraft flight control, air traffic control, mass transport control, medical life support system, missile launch control in weapon system), or (2) for use requiring extremely high reliability (i.e., submersible repeater and artificial satellite).

Please note that FUJITSU SEMICONDUCTOR will not be liable against you and/or any third party for any claims or damages arising in connection with above-mentioned uses of the products.

Any semiconductor devices have an inherent chance of failure. You must protect against injury, damage or loss from such failures by incorporating safety design measures into your facility and equipment such as redundancy, fire protection, and prevention of over-current levels and other abnormal operating conditions.

Exportation/release of any products described in this document may require necessary procedures in accordance with the regulations of the Foreign Exchange and Foreign Trade Control Law of Japan and/or US export control laws.

The company names and brand names herein are the trademarks or registered trademarks of their respective owners.

Edited: Sales Promotion Department