

1 2 3 4 5 6 7 8

A

B

C

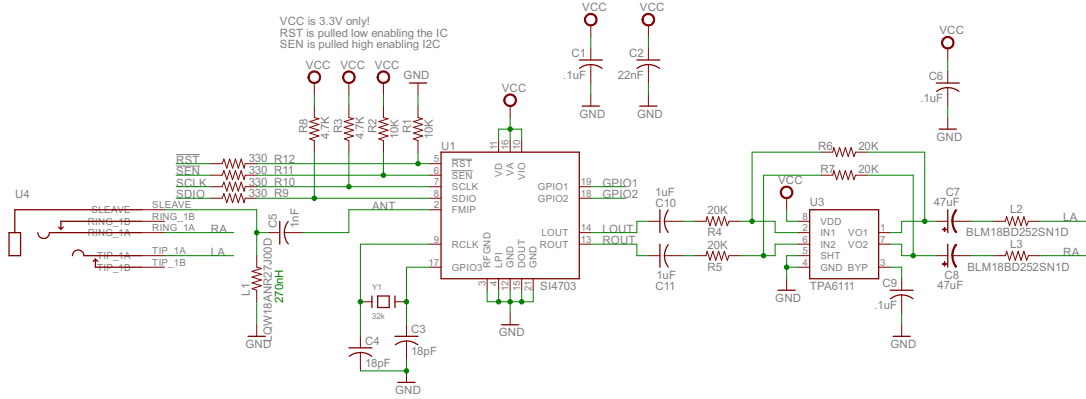
D

E

Open Source Hardware
Released under the Creative Commons Attribution Share-Alike 3.0 License
<http://creativecommons.org/licenses/by-sa/3.0>
Based on design by Sparkfun Electronics owner Nathan Seidle



1 2 3 4 5 6 7 8



Radio FM1 Module GHI Electronics, LLC	Radio FM1
	4/10/2013 11:56:41 AM
	Sheet: 1/1