

Peak Emission Wavelength: 353-360nm

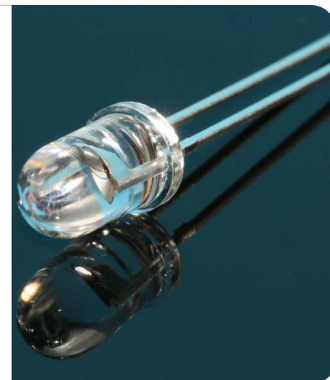
The MT5355-UV is a UV T 1 3/4, 5mm water clear LED designed for applications requiring high power and high reliability packaged with straight leads.

FEATURES

- > High Power
- > High Reliability
- > High Speed
- > Narrow Beam Angle

APPLICATIONS

- > UV Curing
- > Currency Validation
- > Document Verification
- > Sterilization



Absolute Maximum Ratings (Ta=25°C)

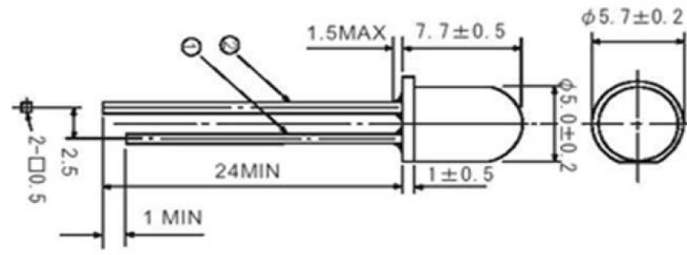
ITEMS	SYMBOL	RATINGS	UNIT
Forward Current	IF	25	mA
Peak Forward Current*1	IFP	100	mA
Reverse Current	IR	85	mA
Power Dissipation	PD	100	mW
Operating Temperature Range	Topr	-30 ~ +80	°C
Storage Temperature Range	Tstg	-30 ~ +85	°C
Lead Soldering Temperature*2	Tls	260	°C

*1: Test Conditions: D.C.<1/10, p. width<0.1msec. *2: Time 5 Sec max, Position: Up to 3mm from the body.

Electrical & Optical Characteristics (Ta = 25°C)

ITEMS	SYMBOL	CONDITIONS	MIN	TYP	MAX	UNIT
Forward Voltage	VF	IF=20mA	3.0	3.6	4.2	V
Radiant Power	Φe	IF=20mA	--	1.2	--	mW
Peak Emission Wavelength	λp	IF=20mA	353	--	360	nm
Viewing Angle	Θ	IF=20mA	--	15	--	deg.
Spectral Bandwidth at 50%	Δλ _{0.5}	IF=20mA	--	15	--	nm

RADIATION	TYPE	CASE
Ultra Violet	Silicon Molded Package	5mm Lens



The technical drawing shows a side view and a top view of the LED package. The side view includes the following dimensions: a lead length of 24 MIN, a lead diameter of 2-□0.5, a lead thickness of 1 MIN, a mounting tab width of 1.5 MAX, a lens diameter of 5.7 ± 0.2, a lens height of 7.7 ± 0.5, and a lens thickness of 1 ± 0.5. The top view shows a circular lens with a diameter of 5.7 ± 0.2 mm.

Unit: mm