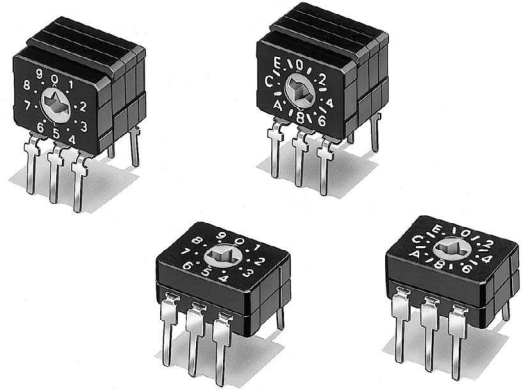


## Sealed Rotary DIP Switch

## A6C/A6CV

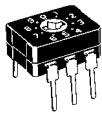
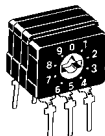
### Internally Sealed DIL-IC Type Rotary DIP Switch

- A precise rotary cam and contact driving mechanism achieve compactness for high-density mounting.
- Top/Side-actuated models available.
- Insert-molded terminals and an O-ring sealed rotor combine to form a sealed structure equivalent to IP64 (IEC-60529) to prevent flux penetration and provides high contact reliability even in dusty locations.
- Offset between terminal pins and side of case allows simple circuit inspection.



RoHS Compliant

### ■List of Models

Type (actuator color)		Top actuated (Orange)		Side actuated (Orange)	
No. of switching positions	Output code	Quantity per tube		Quantity per box	
10	BCD Decimal	55	A6C-10R (N)	100	A6CV-10R
16	BCD Hexadecimal		A6C-16R (N)		A6CV-16R

Note: Order in multiples of the package quantity.

### ■Ratings/Characteristics

<b>Ratings</b>	0.1 A at 30 VDC, 10 $\mu$ A (minimum current) at 3.5 VDC	
<b>Ambient operating temperature</b>	-20 to 70°C 60%RH max. (with no icing or condensation)	
<b>Ambient operating humidity</b>	35% to 95%RH (at 5 to 35°C)	
<b>Insulation resistance</b>	100 M $\Omega$ min. (at 250 VDC)	
<b>Contact resistance</b>	200 m $\Omega$ max. (initial value)	
<b>Dielectric strength</b>	<b>Between terminals</b>	250 VAC for 1 min
<b>Vibration resistance</b>	<b>Malfunction</b>	10 to 55 Hz, 1.5-mm double amplitude
<b>Shock resistance</b>	<b>Malfunction</b>	300 m/s <sup>2</sup> min.
<b>Durability</b>	<b>Electrical</b>	2,000 steps min.
<b>Operating torque</b>	0.98 $\times$ 10 <sup>-2</sup> N·m {1 gf·m} max.	
<b>Weight</b>	Top actuated type: approx. 0.4 g Side actuated type: approx. 0.8 g	

**Output Codes**

**10-position Models**

Code Position	1	2	4	8
0				
1	●			
2		●		
3	●	●		
4			●	
5	●		●	
6		●	●	
7	●	●	●	
8				●
9	●			●

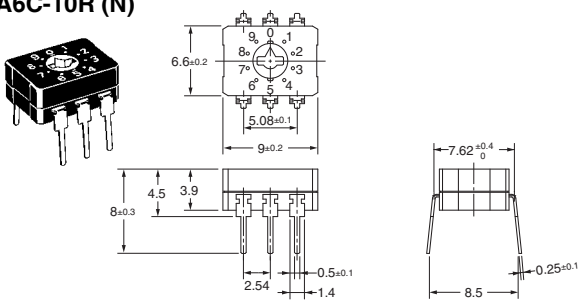
**16-position Models**

Code Position	1	2	4	8
0				
1	●			
2		●		
3	●	●		
4			●	
5	●		●	
6		●	●	
7	●	●	●	
8				●
9	●			●
A		●		●
B	●	●		●
C			●	●
D	●		●	●
E		●	●	●
F	●	●	●	●

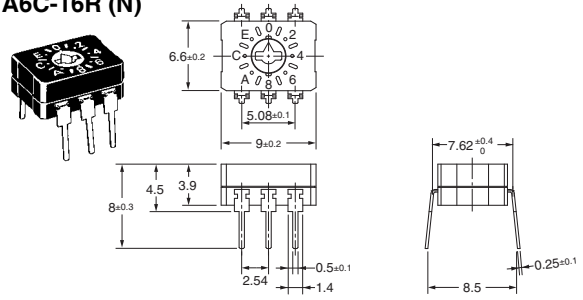
Note: "●" indicates that the internal switch is ON.

**Dimensions (Unit: mm)**

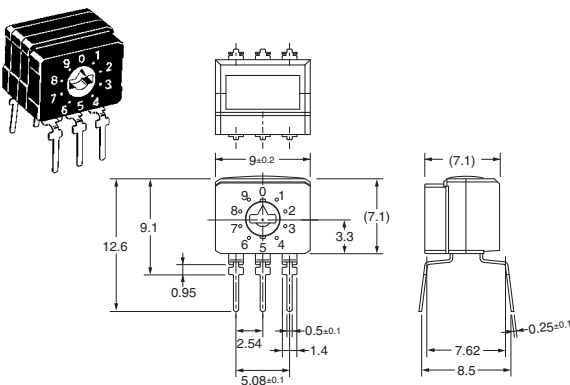
**● Top Actuated, 10 Positions  
A6C-10R (N)**



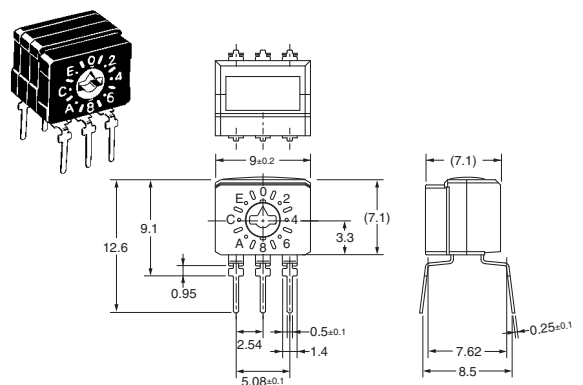
**● Top Actuated, 16 Positions  
A6C-16R (N)**



**● Side Actuated, 10 Positions  
A6CV-10R**



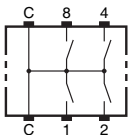
**● Side Actuated, 16 Positions  
A6CV-16R**



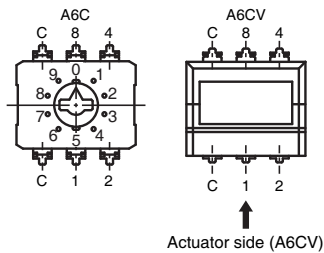
Note: Unless otherwise specified, a tolerance of ±0.4 mm applies to all dimensions.

**Internal Connections/Terminal arrangement/PCB Dimensions (Unit: mm)**

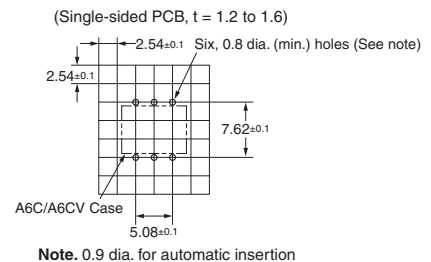
**Contact Form (Top View)**



**Terminal arrangement**



**Mounting holes (top view)**



**Precautions**

Be sure to read the Safety precautions common to all DIP Switches for correct use.

- Application examples provided in this document are for reference only. In actual applications, confirm equipment functions and safety before using the product.
- Consult your OMRON representative before using the product under conditions which are not described in the manual or applying the product to nuclear control systems, railroad systems, aviation systems, vehicles, combustion systems, medical equipment, amusement machines, safety equipment, and other systems or equipment that may have a serious influence on lives and property if used improperly. Make sure that the ratings and performance characteristics of the product provide a margin of safety for the system or equipment, and be sure to provide the system or equipment with double safety mechanisms.

**Note: Do not use this document to operate the Unit.**

**OMRON Corporation**

**ELECTRONIC AND MECHANICAL COMPONENTS COMPANY**

**Contact: [www.omron.com/ecb](http://www.omron.com/ecb)**

**Cat. No. A053-E1-07  
1212(0207)(O)**