

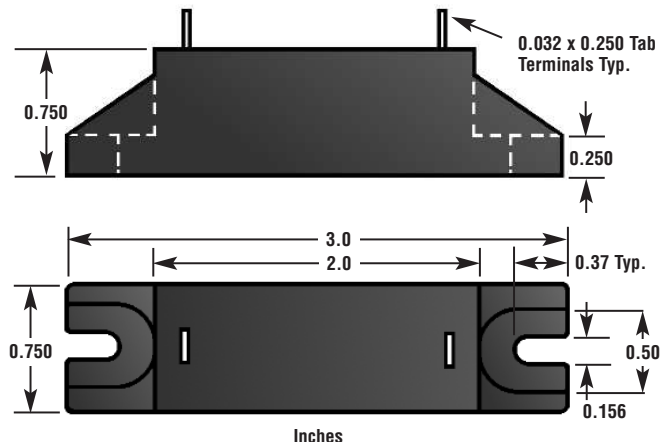


## HC, 3HC, 3HCF, HCUF Rectifier Blocks High Voltage, Mounting Slots

FIGURE 14



Please Note:  
For Solder Turrets Add Suffix "T"



HVCA Number	Repetitive Peak Reverse Voltage $V_{RRM}$ Per Leg (Volts)	Avg. Forward Current Max. $I_{FAVM}@55^{\circ}C$ A (Amps)	Max. Forward Voltage Drop $V_F@I_F$ Per Leg (Volts)	Max. Reverse Current $I_R@V_{RRM}@25^{\circ}C$ $\mu A$ (microAmps)	Max. Surge Current $I_{FSM}(8.3ms)$ A (Amps)	Max. Reverse Recovery Time $T_{rr}$ (nsec)	Case Style Figure Number
<b>HC-Standard Recovery 1.0 Amp Glass Passivated Rectifier Assembly</b>							
HC5	5000	1.0	4.5	0.5	50	-	Fig.14
HC8	8000	1.0	7.2	0.5	50	-	Fig.14
HC10	10000	1.0	9.0	0.5	50	-	Fig.14
HC12	12000	0.8	10.5	0.5	50	-	Fig.14
HC15	15000	0.7	14.0	0.5	50	-	Fig.14
HC20	20000	0.6	18.0	0.5	50	-	Fig.14
<b>3HC-Standard Recovery 3.0 Amp Glass Passivated Rectifier Assembly</b>							
3HC5	5000	2.5	4.8	0.5	150	-	Fig.14
3HC10	10000	2.0	9.0	0.5	150	-	Fig.14
3HC12	12000	1.75	10.5	0.5	150	-	Fig.14
3HC15	15000	1.5	13.2	0.5	150	-	Fig.14
<b>HCF-Fast Recovery <math>T_{rr}</math> 150 nsec 1.0 Amp Glass Passivated Rectifier Assembly</b>							
HCF5	5000	1.0	8.0	0.5	50	150	Fig.14
HCF8	8000	1.0	12.0	0.5	50	150	Fig.14
HCF10	10000	0.8	15.0	0.5	50	150	Fig.14
HCF12	12000	0.7	18.0	0.5	50	150	Fig.14
<b>3HCF-Fast Recovery <math>T_{rr}</math> 250 nsec 3.0 Amp Glass Passivated Rectifier Assembly</b>							
3HCF5	5000	2.0	7.0	0.5	100	250	Fig.14
3HCF10	10000	1.5	13.0	0.5	100	250	Fig.14
<b>HCUF-Ultra Fast Recovery <math>T_{rr}</math> 75 nsec 1.0 Amp Rectifier Assembly</b>							
HCUF5	5000	1.0	5.5	1.0	35	75	Fig.14
HCUF8	8000	1.0	8.8	1.0	35	75	Fig.14
HCUF10	10000	0.8	11.0	1.0	35	75	Fig.14
HCUF12	12000	0.7	13.2	1.0	35	75	Fig.14
HCUF15	15000	0.6	17.0	1.0	35	75	Fig.14
<b>HCUSF-Ultra Super Fast Recovery <math>T_{rr}</math> 35 nsec 1.0 Amp Rectifier Assembly</b>							
HCUSF5	5000	0.650	7.0	1.0	10	35	Fig.14
HCUSF8	8000	0.650	11.2	1.0	10	35	Fig.14
HCUSF10	10000	0.5	14.0	1.0	10	35	Fig.14
HCUSF12	12000	0.5	16.8	1.0	10	35	Fig.14
HCUSF15	15000	0.5	21.0	1.0	10	35	Fig.14
<b>2HCUSF-Ultra Super Fast Recovery <math>T_{rr}</math> 40 nsec 2.0 Amp Rectifier Assembly</b>							
2HCUSF3	3000	1.75	6.0	5.0	60	40	Fig.14
2HCUSF5	5000	1.75	10.0	5.0	60	40	Fig.14
2HCUSF8	8000	1.5	16.0	5.0	60	40	Fig.14
<b>3HCUF-Fast Recovery <math>T_{rr}</math> 75 nsec 3.0 Amp Rectifier Assembly</b>							
3HCUF5	5000	2.25	7.0	5.0	150	75	Fig.14
3HCUF8	8000	2.0	11.2	5.0	150	75	Fig.14
3HCUF10	10000	2.0	14.0	5.0	150	75	Fig.14

DIODES