



## ACCESSORIES

### REAR RACK ADAPTER

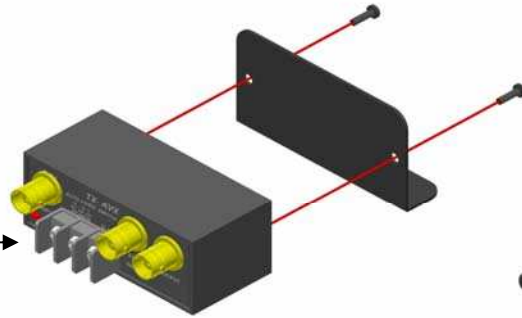
#### FP-RRB1, ST-RRB1 & TX-RRB1

## Installation/Operation

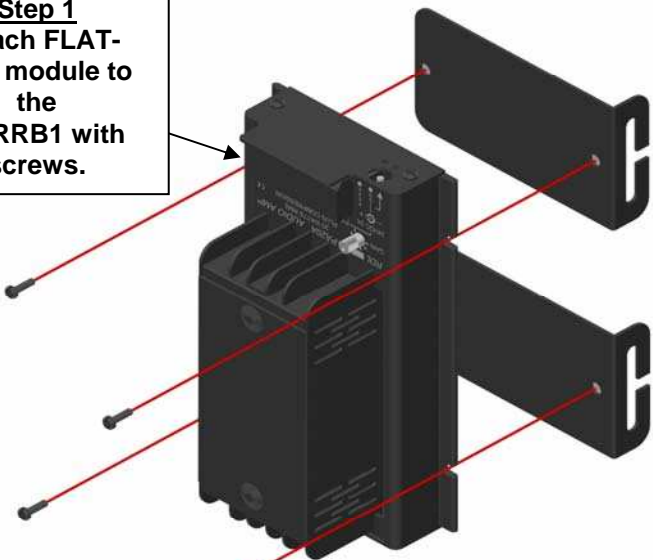


EN55103-1 E1-E5; EN55103-2 E1-E4  
Typical Performance reflects product at publication time  
exclusive of EMC data, if any, supplied with product.  
Specifications are subject to change without notice.

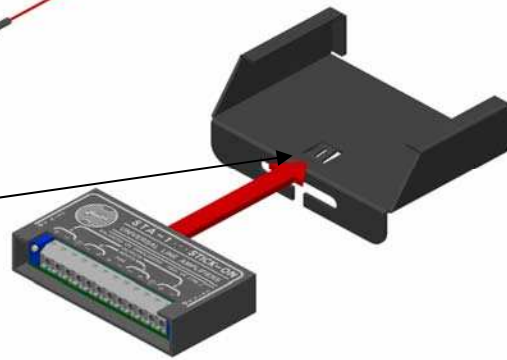
**Step 1**  
Attach TX  
module to the  
TX-RRB1  
with screws.



**Step 1**  
Attach FLAT-  
PAK module to  
the  
FP-RRB1 with  
screws.



**Step 1**  
Slide the STICK-ON  
onto the ST-RRB1.  
Once it is fully  
seated bend the  
locking tab up  
slightly to secure  
the module to the  
ST-RRB1.



**Step 2**  
Attach  
RRB1 with  
appropriate  
module on  
to rear rack  
rail with  
supplied  
screws.

