

ACCESSORIES

Model WB-1U / WB-2U

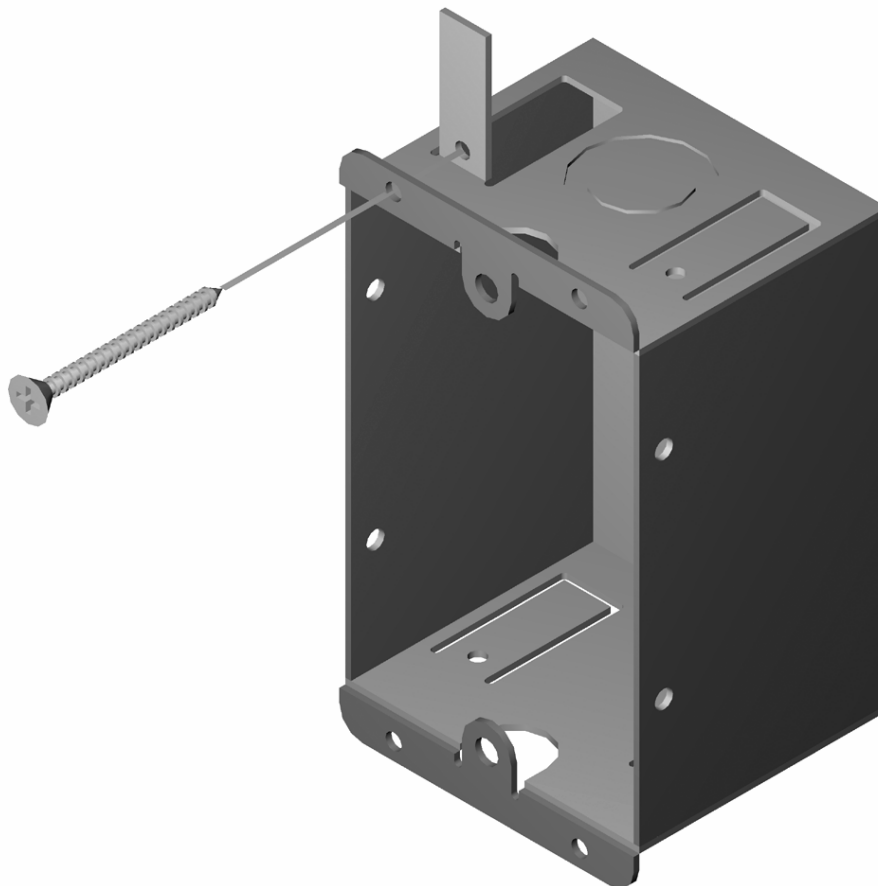
Universal Wall Mounting Box

Installation/Operation



EN55103-1 E1-E5; EN55103-2 E1-E4

Typical Performance reflects product at publication time exclusive of EMC data, if any, supplied with product. Specifications are subject to change without notice.



Installation in New Construction:

Install box to studs or other wall support structure. Attach conduits, if used. The small knockouts fit metric conduits; the larger knockouts fit US conduits.

Installation in Existing Wall:

Cut out an opening the size of the box. Remove knockouts in box as required. Slide box into place. Bend tabs up from inside of box. Secure in place using screws provided.

Dimensions:

Height:	4.13 In.	10.5 cm
Depth:	2.00 In.	4.0 cm
Width:	2.38 In.	6.0 cm (WB-1U)
Width:	4.13 In.	10.5 cm (WB-2U)

Radio Design Labs Technical Support Centers

U.S.A. (800) 933-1780, (928) 778-3554; Fax: (928) 778-3506

Europe [NH Amsterdam] (+31) 20-6238 983; Fax: (+31) 20-6225-287