

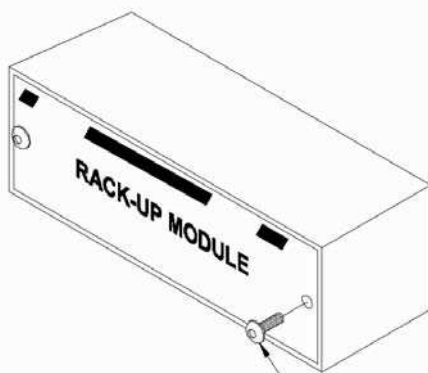
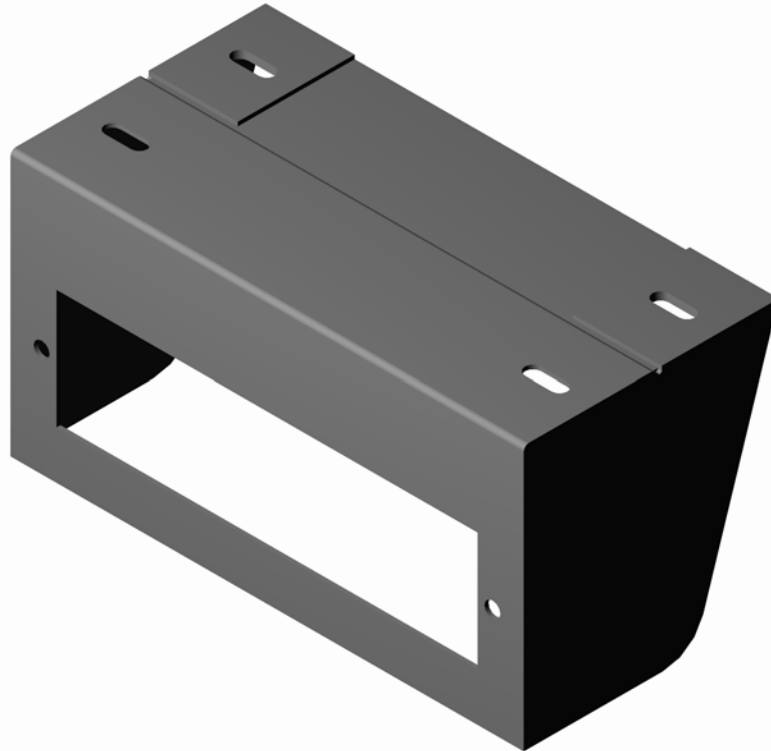
# Accessories

## Model RU-BR1 Mounting Bracket

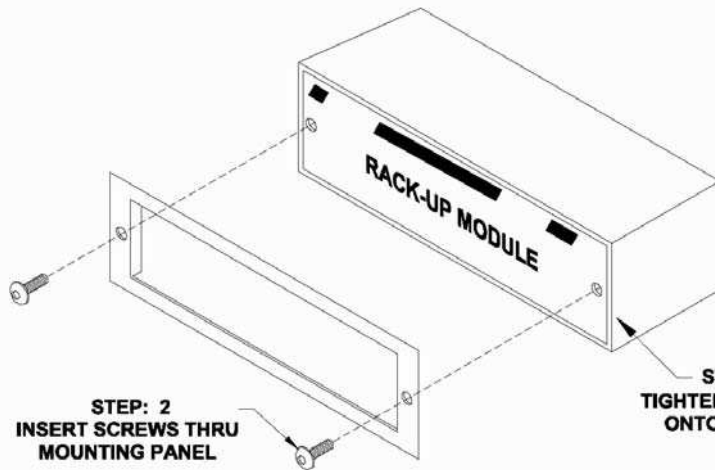
## Installation/Operation



EN55103-1 E1-E5; EN55103-2 E1-E4  
Typical Performance reflects product at publication time  
exclusive of EMC data, if any, supplied with product.  
Specifications are subject to change without notice.



**STEP: 1**  
REMOVE SCREWS FROM  
RACK-UP MODULE AND  
USE FOR MOUNTING



**STEP: 2**  
INSERT SCREWS THRU  
MOUNTING PANEL

**STEP: 3**  
TIGHTEN MODULE  
ONTO PANEL