



RDL[®]
Radio Design Labs

SPECIALISTS IN PRACTICAL PRECISION ENGINEERING™



ACCESSORIES

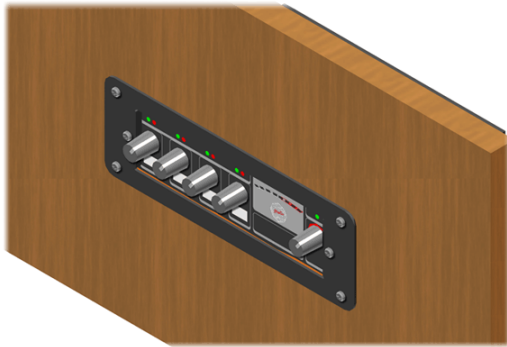
Model RU-SMA1

Surface Mounting Adapter

Installation/Operation



EN55103-1 E1-E5; EN55103-2 E1-E4
Typical Performance reflects product at publication time exclusive of EMC data, if any, supplied with product. Specifications are subject to change without notice.



The RU-SMA1 is a plate for mounting a RACK-UP[®] module to any flat surface. The opening permits the mounting of either a RACK-UP module or RDL AMS accessories. The RU-SMA1 is ideal for mounting a module in a cabinet or lectern.



Step 1:

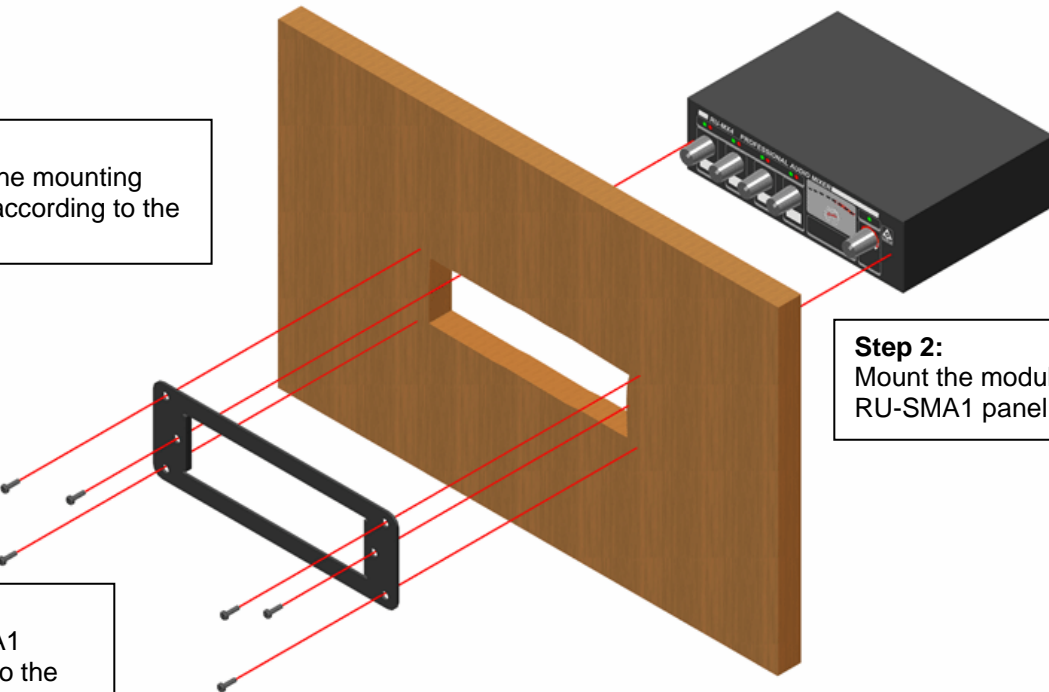
Cut out the mounting surface according to the template

Step 2:

Mount the module to the RU-SMA1 panel

Step 3:

Mount the RU-SMA1 product assembly to the mounting surface



Dimensions:

Height: 2.25 in.

5.72 cm

Width: 6.56 in.

16.66 cm

Radio Design Labs Technical Support Centers

U.S.A. (800) 933-1780, (928) 778-3554; Fax: (928) 778-3506

Europe [NH Amsterdam] (+31) 20-6238 983; Fax: (+31) 20-6225-287