



**RDL**<sup>®</sup>  
Radio Design Labs

SPECIALISTS IN PRACTICAL PRECISION ENGINEERING™

## TX™ SERIES

### TX-10B Bridging Input Transformer

- Add transformer isolation to any line-level audio input
- Balanced input and output
- 10 k $\Omega$  input bridges any audio line
- Frequency response: 20 Hz to 20 kHz (+/- 0.5 dB)
- THD: <0.05% (1 kHz)



### TX-LM2 Line Matching Transformer

- Matches a balanced 600  $\Omega$  phone or other audio line into a mic or line input
- Balanced input
- Dual outputs: Unbalanced line-level or balanced mic-level
- Frequency response: 20 Hz to 20 kHz (+/- 0.5 dB)
- THD: <0.05% (1 kHz)



### TX-1A Adjustable Line Transformer

- Provides transformer isolation between a balanced line and an unbalanced line input
- Level trimmer adjusts output 4 to 24 dB below input level
- Input may be 10 k $\Omega$  bridging or 600  $\Omega$  terminated
- Frequency response: 20 Hz to 20 kHz (+/- 0.5 dB)
- THD+N: <0.05% (1 kHz)



### TX-70A 100/70/25 Volt Input Interface

- Matches a 100, 70 or 25 volt speaker line to any unbalanced line-level audio input
- Trimmer adjusts output level for various input voltages/power levels
- Frequency response: 20 Hz to 20 kHz (+/- 0.5 dB)
- THD+N: <0.05% (1 kHz)



# TX™ SERIES

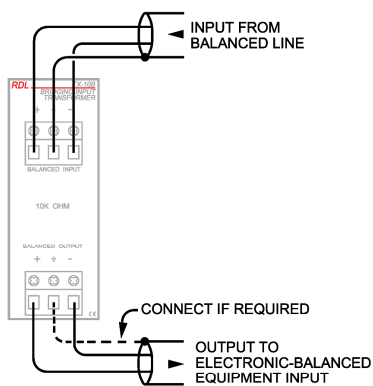
## Installation/Operation



EN55103-1 E1-E5; EN55103-2 E1-E4  
Typical Performance reflects product at publication time exclusive of EMC data, if any, supplied with product. Specifications are subject to change without notice.

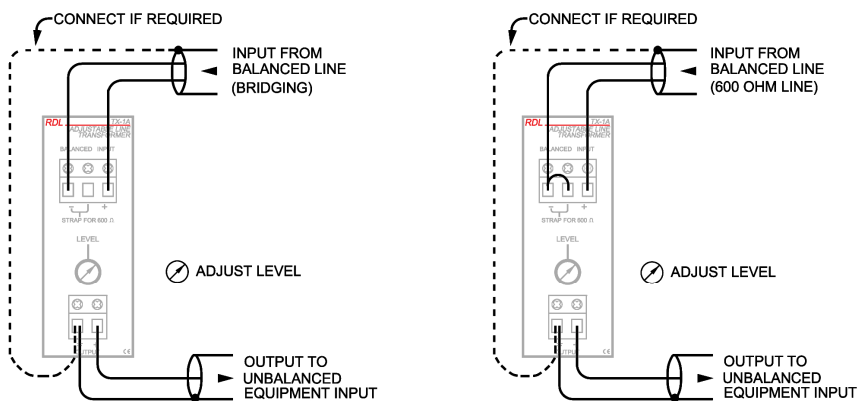
### TX-10B

BRIDGING INPUT TRANSFORMER



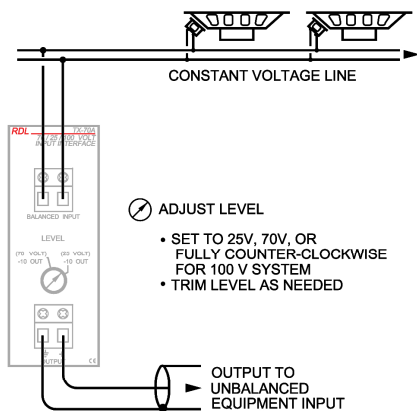
### TX-1A

ADJUSTABLE LINE TRANSFORMER



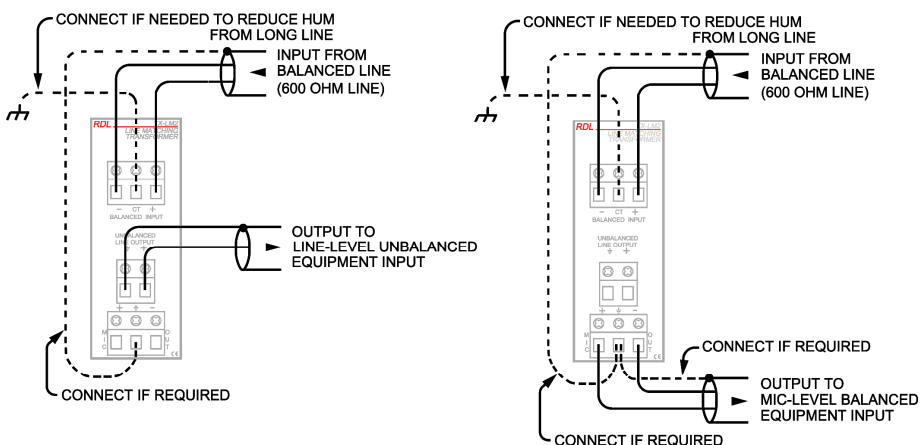
### TX-70A

25/70/100 VOLT INTERFACE



### TX-LM2

LINE MATCHING TRANSFORMER



- CONNECT EITHER MIC OR LINE OUTPUT, NOT BOTH
- NOTE THAT INPUT CENTERTAP IS NOT INTERNALLY CONNECTED TO GROUND

## SPECIFICATION

Height:	3.0 in	7.6 cm
Width:	1.2 in	3.0 cm
Depth (case):	1.5 in	3.8 cm
Depth (with connectors):	1.8 in	4.6 cm