

STICK-ON[®] SERIES

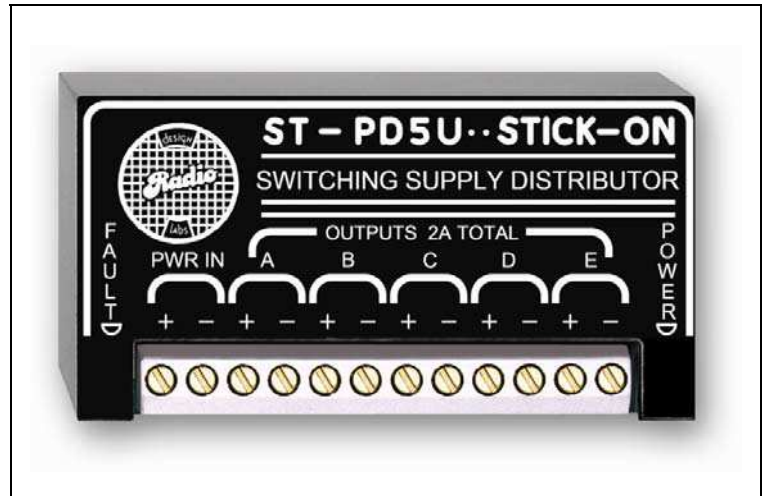
Model ST-PD5U

Power Supply Distributor

ANYWHERE YOU NEED...

- Distribution of 24 Vdc Power
- Soft Start from Switching Supply
- Remote Distributed Power
- Up to 5 Power Distribution Points
- Voltage Presence Indication
- Reverse Voltage Protection

You Need The ST-PD5U!



The ST-PD5U is part of the group of versatile STICK-ON products from Radio Design Labs. The durable adhesives provided with the ST-PD5U permit permanent or removable mounting. Numerous available mounting accessories, brackets and rack-mount chassis are optionally available.

APPLICATION: The ST-PD5U is the ideal choice where power distribution from a current-limited switching power supply is needed. It is suitable for powering up to five modules from a single power supply. The current limiting circuitry in many switching power supplies will cause the supply to shut down upon power-up when a high current capacitive load is connected. Upon application of power, the ST-PD5U ramps the voltage up, charging any load capacitance as quickly as possible, then switching full voltage to the load. If reverse polarity is connected to the input, the ST-PD5U disconnects the load until the condition is corrected.

In system design, various modules are frequently operated from a single power supply. Good engineering practice requires that the power wiring to each module originate at the power supply output. The ST-PD5U serves as the power source for each of five modules. A single ST-PD5U can provide power to RDL's floating modules. A separate ST-PD5U can provide power to ground referenced modules. (Do not attempt to intermix floating and ground referenced modules from a single ST-PD5U.)

Note: If using a linear power supply, distribute the voltage to multiple modules using an RDL ST-PD5.

Wherever power distribution from a switching power supply is needed, the ST-PD5U is the ideal choice. Use the ST-PD5U combined with other RDL RACK-UP[®], STICK-ON, TX[™], or FLAT-PAK[™] series products as part of a complete audio/video system.

STICK-ON® SERIES

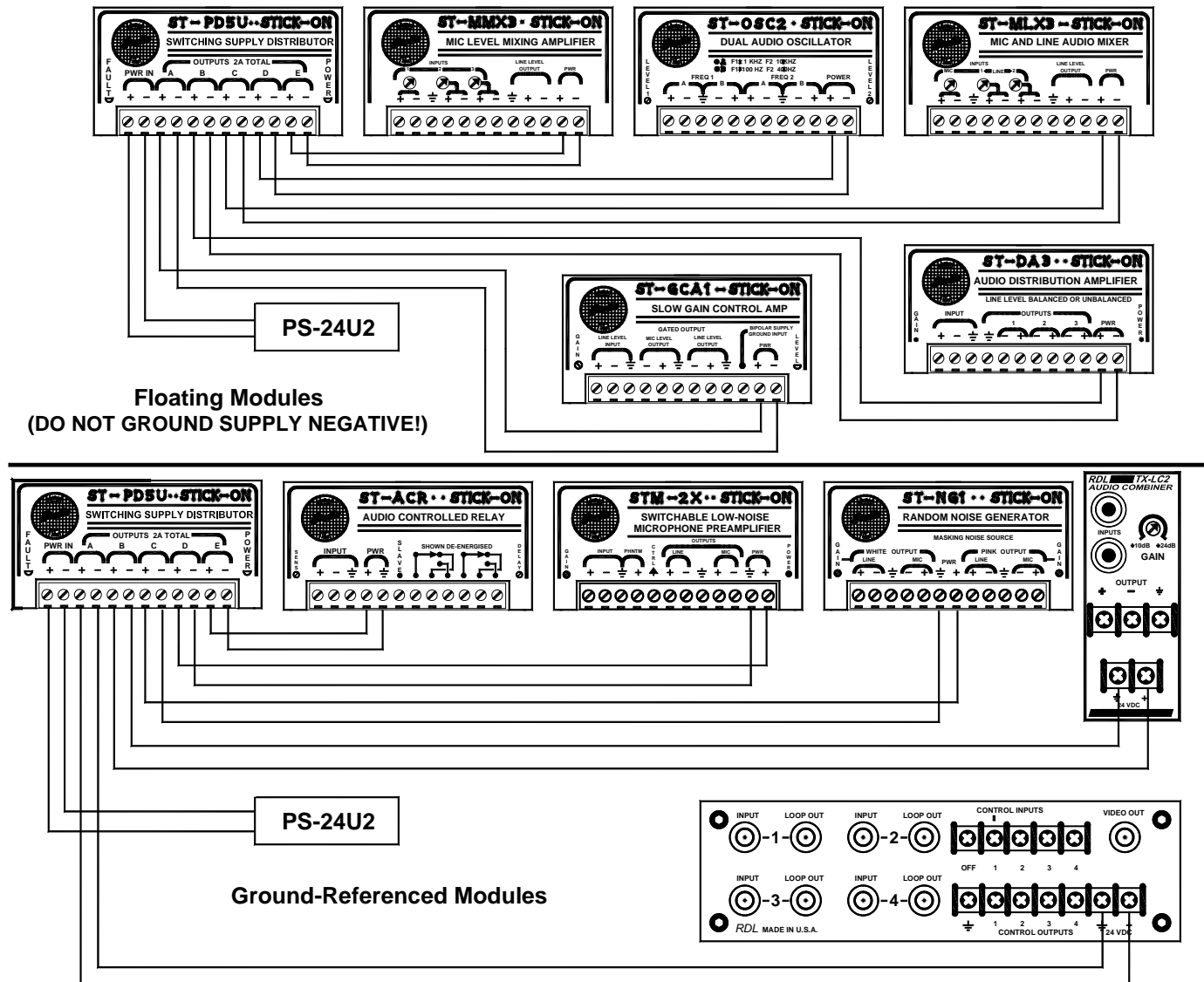
Model ST-PD5U

Power Supply Distributor

Installation/Operation



EN55103-1 E1-E5; EN55103-2 E1-E4
Typical Performance reflects product at publication time exclusive of EMC data, if any, supplied with product. Specifications are subject to change without notice.



TYPICAL PERFORMANCE

Dimensions:

Height: 1.55 in. 3.94 cm
Width: 3.00 in. 7.62 cm
Depth: 0.65 in. 1.65 cm

Input/Output Voltage:

24 Vdc regulated, not exceeding 2.0 A (intended for use with PS-24U2 and PS-24U2A power supplies)

Note: For linear power supplies, use the ST-PD5