



**RDL**<sup>®</sup>  
Radio Design Labs

SPECIALISTS IN PRACTICAL PRECISION ENGINEERING™

## ACCESSORIES

### Models **D-AVMB2** and **DS-AVMB2** Audio and Video Monitor BNC Panels

- Stereo Audio Input to Stereo Audio Output
- Stereo Input on Mini-Jack
- Unbalanced Audio Output on Detachable Terminal Block
- Video Monitor Input on Standard Video Connector
- Rear-Panel Video Outputs (R,G,B,H,V) on BNC Jacks
- BNC Jacks are Isolated from Chassis Ground
- Available in RDL White/Gray (D-AVMB2)
- Available in Stainless Steel (DS-AVMB2)



The D-AVMB2 and DS-AVMB2 are Decora®-compatible audio input accessories from Radio Design Labs. All metal enclosures are attractively finished in white or brushed stainless steel to complement the decor encountered in commercial environments. Custom labeling is available at [www.rdlnet.com](http://www.rdlnet.com).

The D/S-AVMB2 is the ideal choice in installations requiring a wall-mounted audio and video monitor input or output plate for computers, monitors and projectors. The panel is typically installed as an audio/video input plate, but may equally be used as an output jack panel.

The front panel features a standard HD-15 video monitor connector. Video components, video sync and their respective ground returns are separated to feed five BNC jacks on the rear panel. The BNC jacks are isolated from the module chassis ground so the appropriate signal grounds pass through without adding a video ground loop at the panel.

The front panel features a single 3.5 mm stereo mini-jack, intended for stereo consumer line-level audio sources. The left and right signal inputs are fed to a rear-panel detachable terminal block. The audio signals are unbalanced and are intended for short wiring runs where balanced lines are not required.

The D/S-AVMB2 is the ideal choice for providing convenient end-user computer inputs to feed monitors or projectors in small facilities such as boardrooms or classrooms. Use it individually or in conjunction with other RDL products as part of a complete audio/video system.

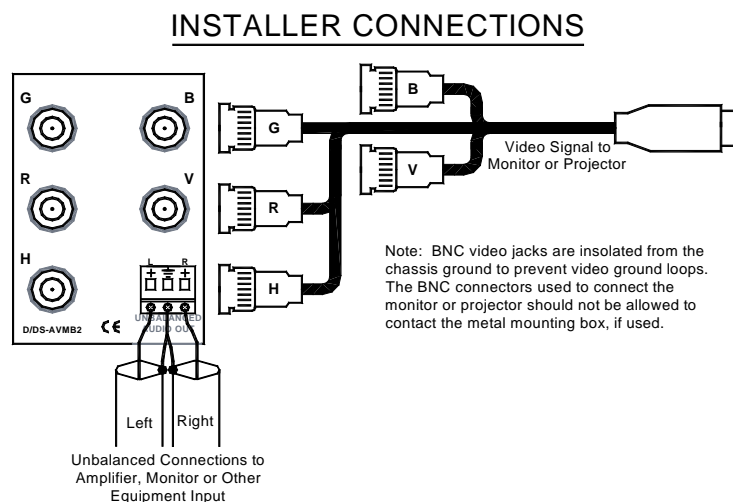
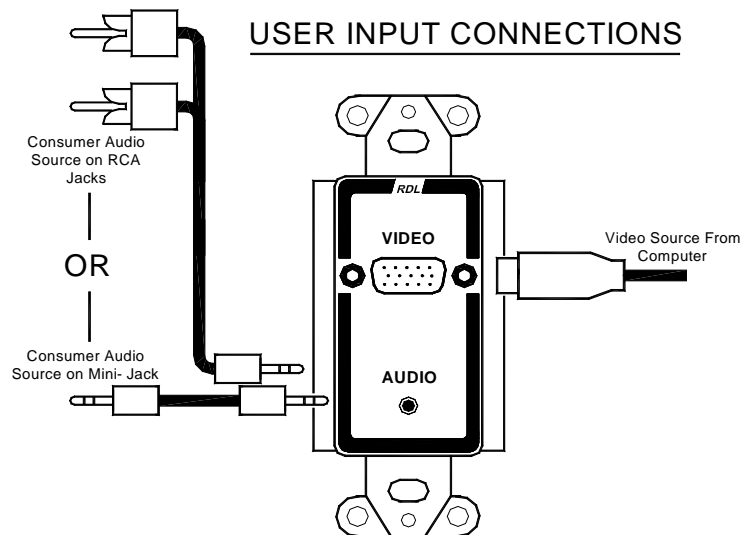
## ACCESSORIES

### Models D-AVMB2 and DS-AVMB2 Audio and Video Monitor BNC Panels

## Installation/Operation



EN55103-1 E1-E5; EN55103-2 E1-E4  
Typical Performance reflects product at publication time  
exclusive of EMC data, if any, supplied with product.  
Specifications are subject to change without notice.



### TYPICAL PERFORMANCE

Audio input connector:  
Video input connector:  
Audio output connector:  
Video output connectors (5):  
Dimensions:

Mini-jack 3.5 mm (Stereo)  
Female HD-15  
Detachable terminal block (Left and Right unbalanced audio)  
BNC (R: Red; G: Green; B: Blue; H: Horizontal Sync; V: Vertical Sync)  
Height: 4.13 in. 10.49 cm  
Width: 1.7 in. 4.32 cm  
Depth: 1.4 in. 3.56 cm  
Width: 1.80 in. 4.57 cm  
Depth: 0.15 in. (0.38 cm) plus the depth of the installer-provided BNC connectors

Mounting Box Minimum Dimensions:

### Radio Design Labs Technical Support Centers

U.S.A. (800) 933-1780, (928) 778-3554; Fax: (928) 778-3506  
Europe [NH Amsterdam] (+31) 20-6238 983; Fax: (+31) 20-6225-287