



RDL[®]
Radio Design Labs

SPECIALISTS IN PRACTICAL PRECISION ENGINEERING™

ACCESSORIES

Models **D-RGB1** and **DS-RGB1** Component Video RGB Connection Plate

- Component Video Input or Output Panel
- RGB video Input on RCA Jacks
- Video Output on Detachable Terminal Block
- Available in RDL White/Gray (D-RGB1)
- Available in RDL Stainless Steel (DS-RGB1)



The D-RGB1 and DS-RGB1 are Decora®-compatible video accessories from Radio Design Labs. All metal enclosures are attractively finished in white or brushed stainless steel to complement the decor encountered in commercial environments. Custom labeling is available at www.rdlnet.com.

The D/S-RGB1 is the ideal choice in installations requiring a wall-mounted component video input or output. The panel is typically installed as an input plate, but may equally be used as an output jack panel.

The front panel features three RCA jacks, intended for a component video source. The video signals are fed to a rear-panel detachable terminal block.

The D/S-RGB1 is the ideal choice to connect component video sources to a video monitor or projector in meeting rooms, classrooms and other A/V systems.



ACCESSORIES

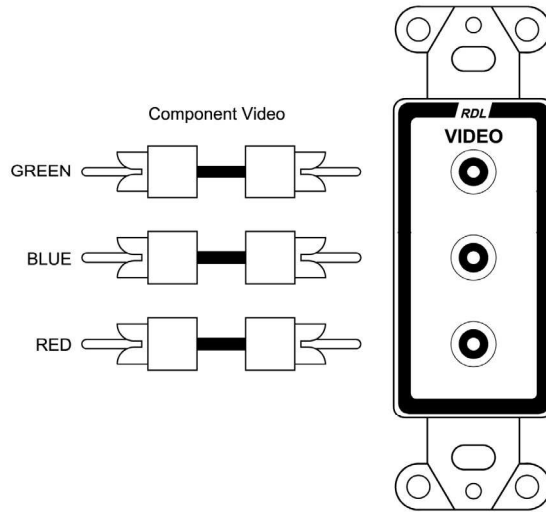
**Models D-RGB1 and DS-RGB1
Component Video RGB Connection Plate**

Installation/Operation

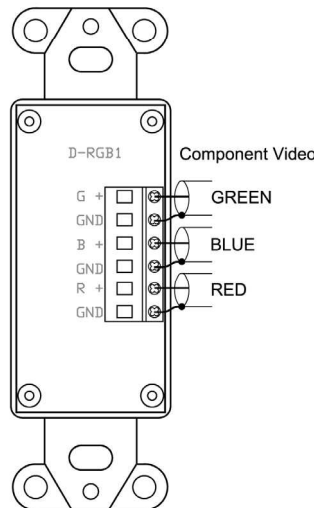


EN55103-1 E1-E5; EN55103-2 E1-E4
Typical Performance reflects product at publication time
exclusive of EMC data, if any, supplied with product.
Specifications are subject to change without notice.

USER CONNECTIONS



INSTALLER CONNECTIONS



TYPICAL PERFORMANCE

Component video input connectors (3):
Component video output connector:
Dimensions:

RCA, RGB		
Detachable Terminal Block		
Height:	4.13 in.	10.49 cm
Width:	1.3 in.	3.3 cm
Depth:	1 in.	2.54 cm
Mounting Box Minimum Dimensions:		
Width:	1.80 in.	4.57 cm
Depth:	1.25 in.	3.18 cm

Radio Design Labs Technical Support Centers

U.S.A. (800) 933-1780, (928) 778-3554; Fax: (928) 778-3506

Europe [NH Amsterdam] (+31) 20-6238 983; Fax: (+31) 20-6225-287