



RDL[®]
Radio Design Labs

SPECIALISTS IN PRACTICAL PRECISION ENGINEERING™

ACCESSORIES

Models D-ECR1 and DS-ECR1 Power On/Off Remote Control

- Remote System Power On/Off Control Panel
- Pushbutton Toggles Power On and Off/Standby
- LED Power Indicator Color Indicates Mode
- Blue LED: Active System Power
- Yellow LED: Standby (System Power Off)
- Red LED: Power Off and Auto Power-Up Disabled
- Flashing Red LED: Emergency Override
- Direct Control of Modules with RJ45 Power Control
- Connection to Controller Using Twisted-Pair Wiring
- Available in Standard RDL White (D-ECR1)
- Available in Stainless Steel (DS-ECR1)



Models D-ECR1L and DS-ECR1L Power On/Off and Level Remote Control

- Remote System Power On/Off Control Panel
- Level Control Provides 0 to 10 Vdc at Controller
- Pushbutton Toggles Power On and Off/Standby
- LED Power Indicator Color Indicates Mode
- Blue LED: Active System Power
- Yellow LED: Standby (System Power Off)
- Red LED: Power Off and Auto Power-Up Disabled
- Flashing Red LED: Emergency Override
- Direct Control of Modules with RJ45 Power Control
- Connection to Controller Using Twisted-Pair Wiring
- Available in Standard RDL White (D-ECR1L)
- Available in Stainless Steel (DS-ECR1L)



The D/DS-ECR1 and D/DS-ECR1L are part of the group of versatile accessory products from Radio Design Labs. These modules combine durable construction with high quality components and attractive, professional graphics. The D/DS-ECR1 and D/DS-ECR1L mount in separately available electrical wall boxes and cover plates.

The D/DS-ECR1 and D/DS-ECR1L are wall-mounted remote controls providing A/V system power-up and power-down. These controls directly interface with RDL products equipped with green coded RJ45 control jacks, such as the FP-ECC1 Energy Conservation Controller. The D/DS-ECR1 provides a momentary pushbutton for power control and an LED power status indicator. The indicator glows yellow when the associated system power is in the standby mode. Pressing the soft power button toggles the system power on. The indicator glows blue when system power is on. Pressing the button when the power is on returns the system power to standby. If the host controller is set to allow full power-down, holding the button for 3 seconds takes the system out of standby and turns it off. The system remains off until the button is again pushed, placing the system in standby.

The D/DS-ECR1L includes the features of the D/DS-ECR1 plus a single-turn level control providing 0 to 10 V VCA linear control voltage through the host controller. This control is normally used to adjust the master audio volume of an A/V system. Both remote controls connect with their host controllers through twisted-pair cable terminated in RJ45 connectors.

The D-ECR1 and D-ECR1L feature a standard RDL white front panel. The DS-ECR1 and DS-ECR1L are offered in stainless steel with custom lettering available. These finishes match other RDL remote selectors and jack plates for a visually appealing installation of multiple controls.

ACCESSORIES

Models D-ECR1 and DS-ECR1

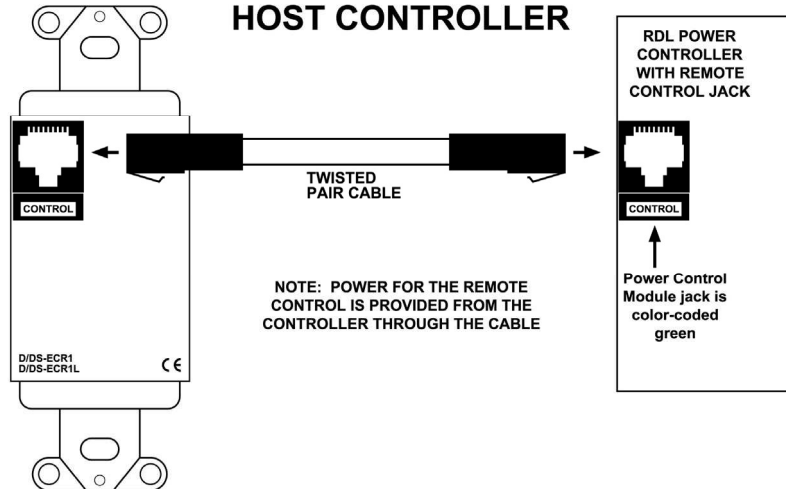
Models D-ECR1L and DS-ECR1L

Installation/Operation

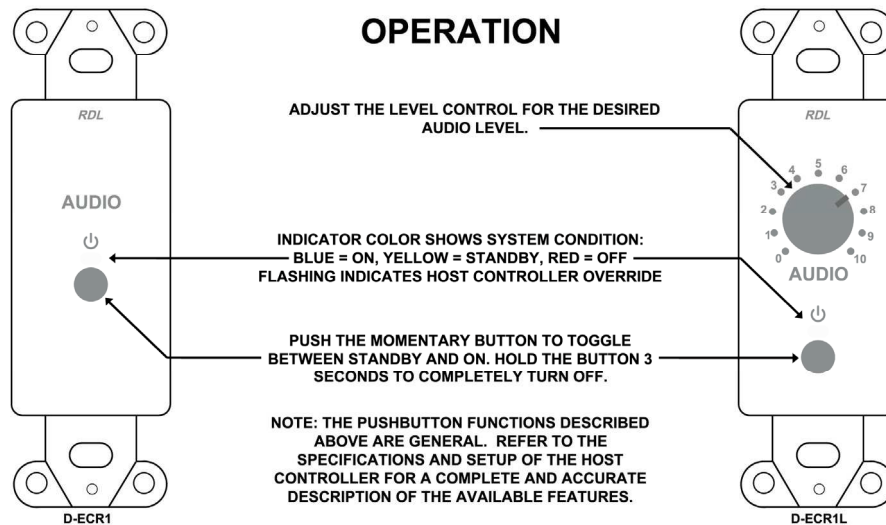


EN55103-1 E1-E5; EN55103-2 E1-E4
Typical Performance reflects product at publication time exclusive of EMC data, if any, supplied with product. Specifications are subject to change without notice.

CONNECTION BETWEEN REMOTE CONTROL AND HOST CONTROLLER



OPERATION



TYPICAL PERFORMANCE

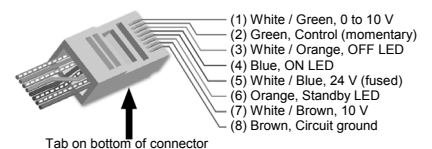
Level Control (D/DS-ECR1L): 0 to 10 Vdc at controller, linear, single-turn

Power button: Momentary

Indicator: Red = Power Off; Yellow = Power Standby; Blue = Power On

Mounting: Mounts in standard US electrical box, RDL WB- or SMB- series boxes; cover plate available separately

Dimensions: Height: 4.1 in. 10.4 cm; Depth: 1.44 in. 3.7 cm (without knob); Depth: 2 in. 5 cm (with knob); Width: 1.7 in. 4.33 cm



Radio Design Labs Technical Support Centers

U.S.A. (800) 933-1780, (928) 778-3554; Fax: (928) 778-3506

Europe [NH Amsterdam] (+31) 20-6238 983; Fax: (+31) 20-6225-287