



72~75 Watt Universal 3-Wire Input Adapter PSC75U Adapter Series Meets EISA and Ecodesign Requirements



Features

- Class B EMI
- Ecodesign ErP Directive 2009/125/EC level 2 annex 1b Compliant
- Non-Vented/Spill-proof Case
- OTC, OVP, and OCP
- Level V Efficiency

Applications

- Networking
- Security Equipment

Safety Approvals

- cUL/UL
- CE
- IEC 60950-1

Mechanical Characteristics

- Length: 150.5mm (5.93in)
- Width: 70.5mm (2.78in)
- Height: 39mm (1.54in)
- Weight: 475g (16.76oz)

Output Specifications

Model	DC Output Voltage	Load		Ripple P-P (max.)	Output Power	Efficiency Level
		Min.	Max.			
PSC75U-480 ⁽²⁾	+48V	0A	1.5A	480mV	72W	V
PSC75U-560	+56V	0A	1.34A	560mV	75W	V

(1) Measured after 10 minutes warm up at 25°C with 12-inch twisted pair terminated with a 10uF capacitor and 0.1uF ceramic in parallel.

(2) Special Order Item, contact Phihong for ordering details.

Phihong is not responsible for any error, and reserves the right to make changes without notice. Please visit our website at www.phihong.com for the most up-to-date specifications and contact information.

Input:

AC Input Voltage Rating

100V to 240V AC

AC Input Voltage Range

90 to 264V AC

AC Input Frequency

47 to 63Hz

Input Current

2.0A (RMS) maximum at 120V AC

1.0A (RMS) maximum at 240V AC

Leakage Current

3.5mA maximum at 264VAC, 50Hz

Inrush Current

90A maximum for 120V AC at maximum load

150A maximum for 240V AC at maximum load

(Cold Start at 25°C)

Input Power Saving

≤ 0.5W maximum at no load

Output:

Efficiency

87% average

Hold-up Time

8mS minimum at maximum load and 120V AC

Over-Voltage Protection

125% maximum with auto restart

Over-Current Protection

Equipped with short circuit protection; auto-restart

Short-Circuit Protection

Output can be shorted without damage

Environmental:

Temperature

Operation 0 to 40°C

Non-operation -40 to 85°C

Humidity 20 to 90%

Emissions

FCC Class B

EN55022 Class B

Immunity

EN61000-4-2 Level 3

EN61000-4-3 Level 2

EN61000-4-4 Level 3

EN61000-4-5 Level3

EN61000-4-6 Level 2

EN61000-4-11

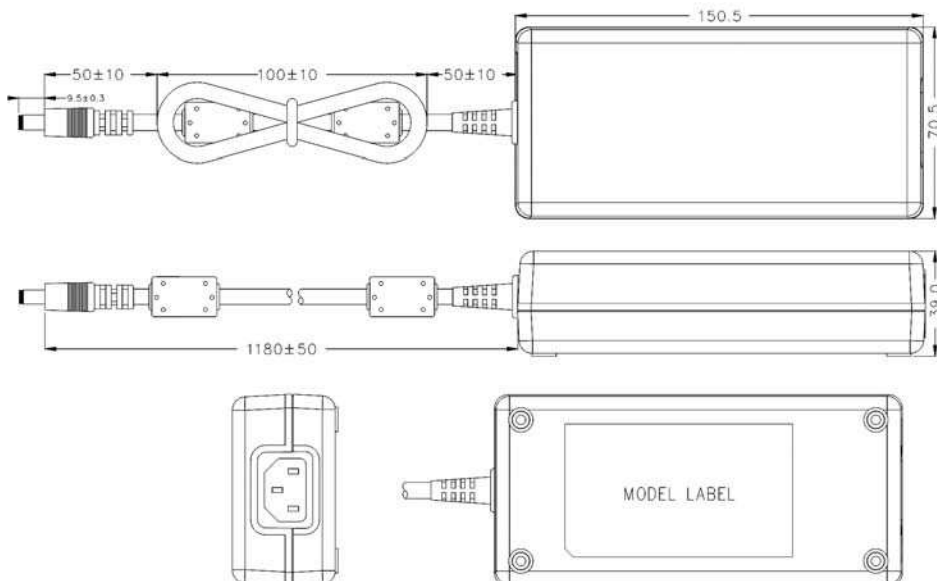
EN61000-3-2 (A1+A2+A14) Class A

EN61000-3-3

Dielectric Withstand (Hi-pot) Test

Primary to F.G.: 1500V AC for 1 min., 10mA

Dimension Diagram Unit: mm (inch)



DC Output Connector

2.1 x 5.5 x 9.5mm Center Positive Barrel