

Qseven® Module

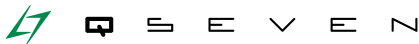
High graphics performance with low power consumption

conga-QAF

Based on AMD Embedded G-Series Processors

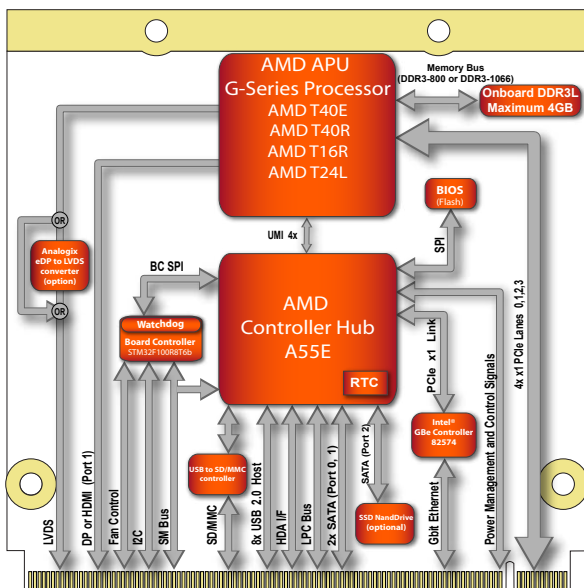
Best price/performance ratio

High performance graphics



Formfactor	Qseven Form Factor, 70 x 70 mm
CPU	AMD Embedded G-Series Processors AMD G-T40E 1.0 GHz Dual Core (L2 cache 512kB x2, 6.4W) AMD G-T40R 1.0 GHz Single Core (L2 cache 512kB, 5.5W) AMD G-T16R 615 MHz Single Core (L2 cache 512 kB, 4.5W)
DRAM	2 GByte DDR3L-1066 onboard memory, optional 4 GByte
Chipset	AMD A55E Controller Hub
Ethernet	Gigabit Ethernet and Intel® 82574
I/O Interfaces	4x PCI Express x1 lanes, 2x Serial ATA®, 8x USB 2.0, 1x SDIO to 8bit SD/MMC, 2x ExpressCard™, LPC Bus, I2C Bus
Mass Storage	Onboard SATA Solid State Drive up to 32 GByte (optional)
Sound	High Definition Audio Interface
Graphics	Integrated AMD Radeon™ HD 6250, DirectX®11 graphics with UVD 3.0, Dual Simultaneous Display Support
LVDS	18bit, 24bit, Dual 24bit, up to 1920x1200@60Hz;; Automatic Panel Detection via EDID/EPI
Digital Display	DisplayPort 1.1a or HDMI 1.3 port, resolutions up to 1920x1200@60Hz
congatec Board Controller	Multi Stage Watchdog, non-volatile User Data Storage, Manufacturing and Board Information, Board Statistics, BIOS Setup Data, Backup, I²C bus (fast mode, 400 kHz, multi-master), Power Loss Controll
Embedded BIOS Features	AMI-Aptio 4MByte Flash BIOS with congatec Embedded BIOS features
Power Management	ACPI 3.0 with battery support
Operating Systems	Microsoft® Windows7, Microsoft® Windows XP, Microsoft® Windows® embedded Standard, Linux 2.6
Power Consumption	Typ. application: tbd., see manual for full details, CMOS Battery Backup
Temperature	Operating: 0 .. +60°C Storage: -20 .. +80°C
Humidity	Operating: 10 - 90% r. H. non cond. Storage: 5 - 95% r. H. non cond.
Size	70 x 70 mm (2.76" x 2.76")

Block Diagram conga-QAF



Order Information conga-QAF

Article	PN	Description
conga-QAF/T40R-2G	015300	Qseven module with low power AMD G-Series Single Core 1.0GHz Processor T40R with 512kB L2 cache and on module 2GB DDR3L-1066.
conga-QAF/T40E-2G	015301	Qseven module with low power AMD G-Series Dual Core 1.0GHz Processor T40E with 512kB L2 cache and on module 2GB DDR3L-1066.
conga-QAF/T40E-2G SSD4	015303	Qseven module with low power AMD G-Series Dual Core 1.0GHz Processor T40E with 512kB L2 cache, on module 2GB DDR3L 1066MT/s and 4GB onboard MLC SATA Solid State Disk.
conga-QAF/T40R-2G SSD8	015304	Qseven module with low power AMD G-Series single core 1.0GHz processor T40R with 512kB L2 cache, 2GB DDR3 onboard memory and 8GB onboard MLC SATA Solid State Disk.
conga-QAF/T16R-2G SSD4	015305	Qseven module with low power AMD G-Series single core 615MHz processor T16R with 512kB L2 cache, 2GB DDR3 onboard memory and 4GB onboard MLC SATA Solid State Disk.
conga-QAF/HSP-B	015330	Standard heatspreader for Qseven module conga-QAF. All stand-offs are with 2.7mm bore hole.
conga-QAF/HSP-T	015331	Standard heatspreader for Qseven module conga-QAF. All stand-offs are M2.5mm threaded.
conga-QAF/CSP-B	015332	Passive cooling solution with 6mm fin height for Qseven module conga-QAF. All standoffs are with 2.7mm bore hole.

Engineering Tools / Accessories for Qseven

conga-QEVAL	007001	Evaluation platform for Qseven
conga-QKIT	077455	Starterkit for Qseven including conga-QEVAL, conga-LDVI/EPI, conga-FPA1, Dual DVI-D ADD2 Card, ATX power supply...
Qseven Mobility Kit	077460	Complete ready-to-use starter-kit for mobile applications
conga-MCB/Qseven DP	020731	Qseven mini carrier board for mobile applications with DisplayPort
conga-MCB/Qseven Cable Kit	14000041	Complete cable kit for Qseven mini carrier board
Qseven MXM connector Foxconn	400017	Socket for Qseven Carrier Boards. 10pcs package. Foxconn standard type, SMT, lead free, 230 positions, 0.50mm pitch, 7.8mm height.
Qseven MXM Connector Aces	400018	Socket for Qseven Carrier Boards. 10pcs package. ACES standard type, SMT, lead free, 230 positions, 0.50mm pitch, 7.8mm height.
conga-LDVI/EPI	011115	LVDS to DVI converter board for digital flat panels with onboard EEPROM