

# SP-7W61 & SP-1061

## Smart Panel with TI AM3715 Sitara Cortex A8 Processor

### SP-7W61 (7" Smart Panel)



### SP-1061 (10.4" Smart Panel)



### Features

- TI AM3715 Sitara Cortex A8 Processor
- Low power consumption design
- Slim & fanless mechanical design
- Support Linux 2.6.37, Android 2.3.4 & Windows Compact 7 OS
- RS232/422/485 (COM2) selectable via DIP switch
- Built-in WiFi+ BT SIP module
- CE / FCC class A / B compliant

### Power Supply/ Power Consumption

DC Input	12V DC +/- 5% (DC power must be supplied from an ADLINK IO board)
Power Consumption	SP-7W61: 5.9 W with full load backlight SP-1061: 6.1 W with full load backlight

### I/O Interface

LAN Port	1 x 10/100 Mbps MAC + PHY
Serial Ports	COM 1: RS-232/ Console COM 2: RS-232/422/485 (selectable by using DIP switch)
USB Port	2 x USB 2.0 + 1 x USB OTG
Audio Output	Stereo speaker out (1.5w)
Keypad Interface	4 x 4 keypad interface

### System Spec

Processor	TI - Sitara AM3715 Cortex - A8 Processor 1GHz
PMIC	TI - 65930
Memory	512MB LPDDR 400 SDRAM
Storage	4 Gb NAND Flash on board
LCD (SP-7W61)	Single channel 18-bit LVDS LCD Size: 7.0 inch, 16:9 Resolution: 1024 x 3 (RGB) x 600 Back light: LED Contrast ratio: 700 typical Standard brightness: 250 Cd/m2 typical (without touch panel)
	Single channel 24-bit TTL LCD Size: 10.4 inch, 4:3 Resolution: 800 x 3 (RGB) x 600 Back light: LED Contrast ratio: 500 typical Standard brightness: 300 Cd/m2 typical (without touch panel)
	Extend Storage
Communication	IEEE 802.11 b/g/n & BT 2.1 + EDR (data mode)

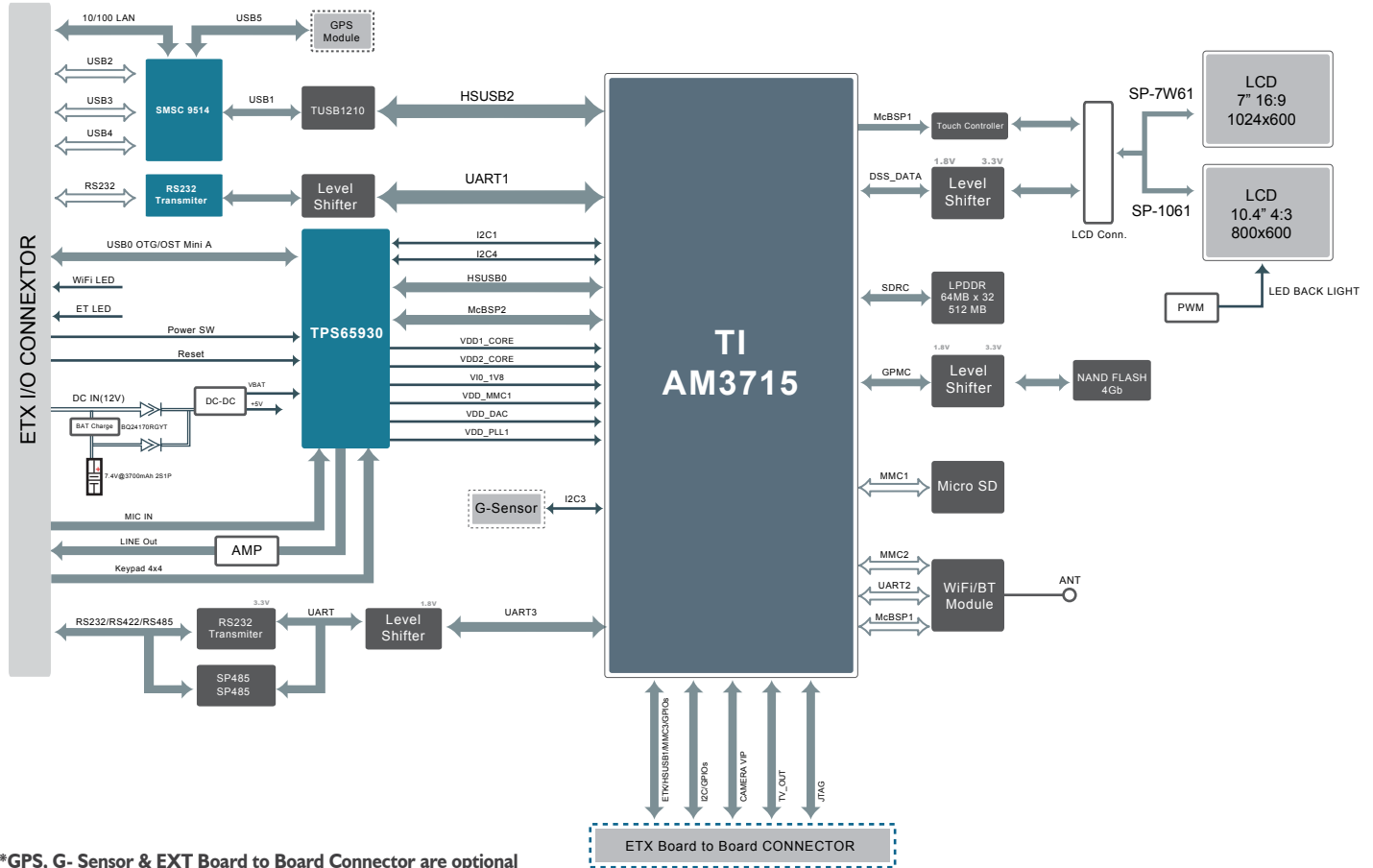
### Environmental

Operating Temperature	0°C ~ 60°C
Storage Temperature	-20°C ~ 70°C
Humidity	5%~ 90% RH operating at +40oC (non- condensing)
Certification	CE & FCC Class A/B compliant

# SP-7W61 & SP-1061

## Smart Panel with TI AM3715 Sitara Cortex A8 Processor

### CPU Block Diagram



\*GPS, G- Sensor & EXT Board to Board Connector are optional

### Ordering Information

SP-7W61	
Product Name	Description
SP-7W61-5124AR	7-inch 16:9 Smart panel with resistive touch panel; OS Linux pre-load with I/O board
SP-7W61-5124AN	7-inch 16:9 Smart panel with resistive touch panel; OS Android pre-load with I/O board
SP-7W61-5124CE	7-inch 16:9 Smart panel with resistive touch panel; OS CE7 pre-load with I/O board
SP-7W61 Starter Kit	
SP-7W61-5124AR-EWP	Starter kit of SP-7W61 with Linux pre-load, I/O board (SP-7W61-IO1), keypad board (SP-7W61-KB1), cable kits, stand, and power adaptor
SP-7W61-5124CE-EWP	Starter kit of SP-7W61 with CE7 pre-load, I/O board (SP-7W61-IO1), keypad board (SP-7W61-KB1), cable kits, stand, and power adaptor
SP-7W61-5124AN-EWP	Starter kit of SP-7W61 with Android pre-load, I/O board (SP-7W61-IO1), keypad board (SP-7W61-KB1), cable kits, stand, and power adaptor

SP-1061	
Product Name	Description
SP-1061-5124AR	10.4-inch 4:3 Smart panel with resistive touch panel; OS Linux pre-load with I/O board
SP-1061-5124AN	10.4-inch 4:3 Smart panel with resistive touch panel; OS Android pre-load with I/O board
SP-1061-5124CE	10.4-inch 4:3 Smart panel with resistive touch panel; OS CE7 pre-load with I/O board
SP-1061 Starter Kit	
SP-1061-5124AR-EWP	Starter kit of SP-1061, with Linux pre-load, I/O board (SP-10W61-IO1), keypad board (SP-7W61-KB1), cable kits, stand, and power adaptor
SP-1061-5124CE-EWP	Starter kit of SP-1061 with CE7 pre-load, I/O board (SP-10W61-IO1), keypad board (SP-7W61-KB1), cable kits, stand, and power adaptor
SP-1061-5124AN-EWP	Starter kit of SP-1061 with Android pre-load, I/O board (SP-7W61-IO1), keypad board (SP-7W61-KB1), cable kits, stand, and power adaptor