

D3FP3

30V 3A

特長

- 小型SMD
- 超低 $V_F=0.4V$

Feature

- Small SMD
- Ultra-Low $V_F=0.4V$

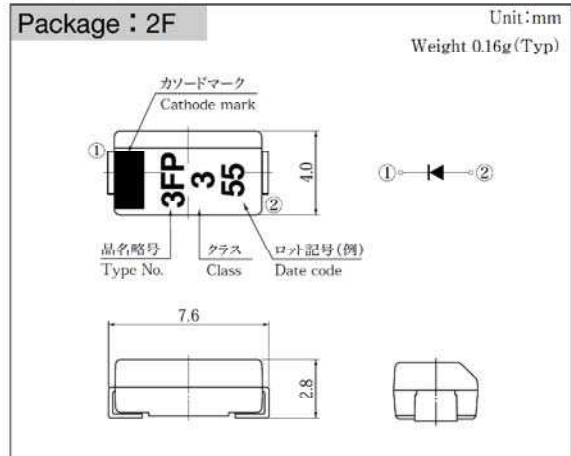
用途

- バッテリー逆接続防止
- DC出力OR用
- DC/DCコンバータ
- 携帯電話、パソコン

MainUse

- Reverse connect protection for DC power source
- DC OR-output
- DC/DC Converter
- Mobile phone, PC

■外観図 OUTLINE



外形図については新電元Webサイト又は〈半導体製品一覧表〉をご参照下さい。捺印表示については捺印仕様をご確認下さい。
For details of the outline dimensions, refer to our web site or Semiconductor Short Form Catalog. As for the marking, refer to the specification "Marking, Terminal Connection".

■定格表 RATINGS

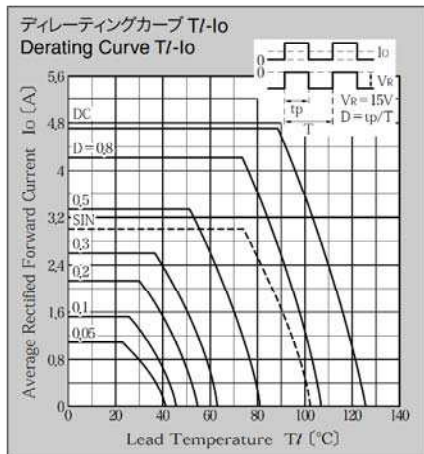
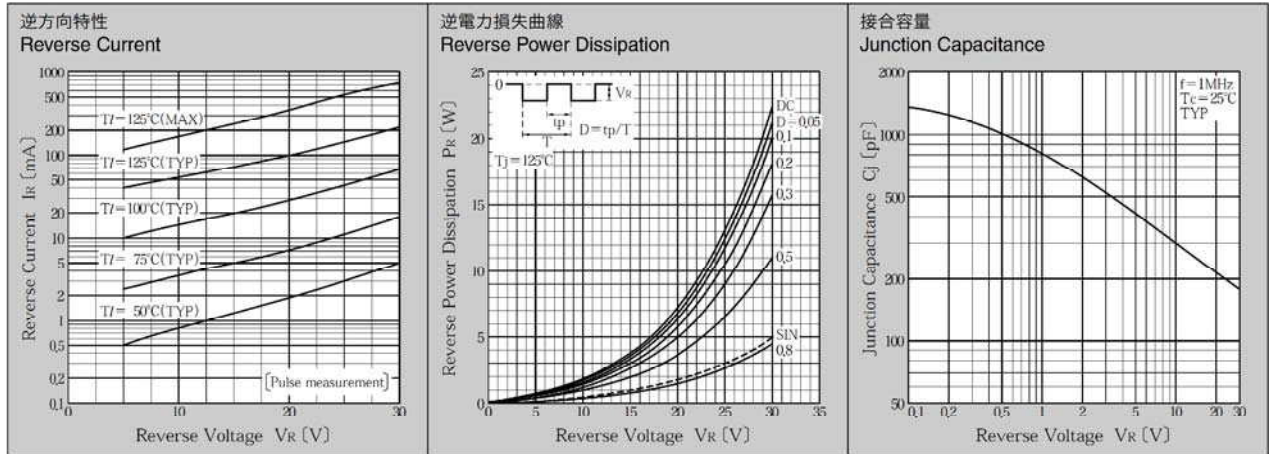
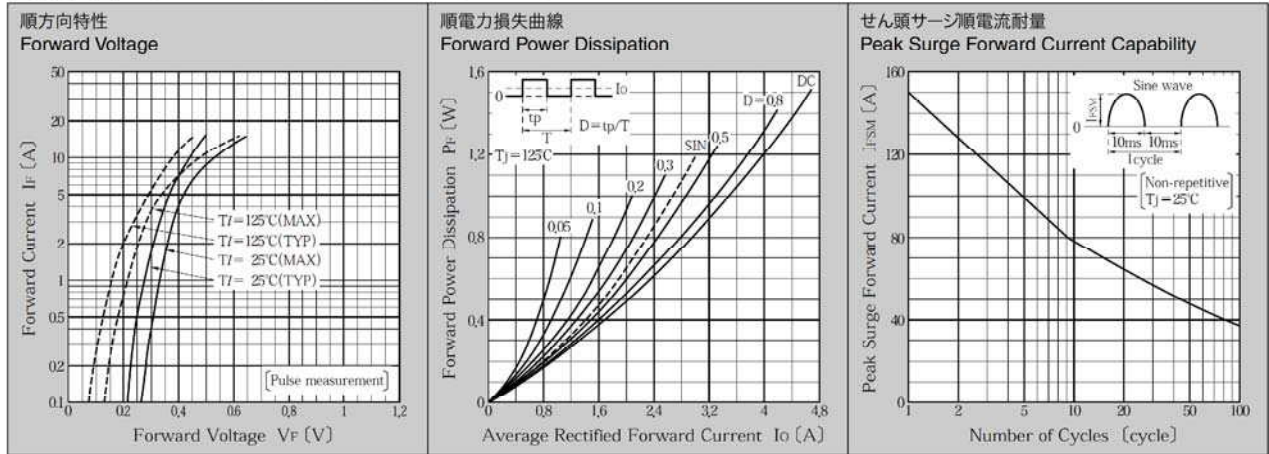
●絶対最大定格 Absolute Maximum Ratings (指定のない場合 $T_I = 25^\circ C$)

| 項目 Item | 記号 Symbol | 条件 Conditions | 品名 Type No. | D3FP3 | 単位 Unit |
|--|--------------|--|----------------|-----------|------------|
| 保存温度 Storage Temperature | T_{stg} | | | -55 ~ 125 | $^\circ C$ |
| 接合部温度 Operation Junction Temperature | T_j | | | 125 | $^\circ C$ |
| せん頭逆電圧 Maximum Reverse Voltage | V_{RM} | | | 30 | V |
| 繰り返しせん頭サージ逆電圧 Repetitive Peak Surge Reverse Voltage | V_{RRSM} | パルス幅0.5ms, duty 1/40 Pulse width 0.5ms, duty 1/40 | | 35 | V |
| 出力電流 Average Rectified Forward Current | I_o | 50Hz正弦波, 抵抗負荷, $T_I = 74^\circ C$ 50Hz sine wave, Resistance load, $T_I = 74^\circ C$ | | 3 | A |
| せん頭サージ順電流 Peak Surge Forward Current | I_{FSM} | 50Hz正弦波, 非繰り返し1サイクルせん頭値, $T_j = 25^\circ C$ 50Hz sine wave, Non-repetitive 1 cycle peak value, $T_j = 25^\circ C$ | | 150 | A |

●電氣的・熱的特性 Electrical Characteristics (指定のない場合 $T_I = 25^\circ C$)

| | | | | |
|--------------------------------------|---------------|---|----------------------------------|--------------|
| 順電圧 Forward Voltage | V_F | $I_F = 1.6A$, パルス測定 Pulse measurement | MAX 0.35 | V |
| | | $I_F = 4A$, パルス測定 Pulse measurement | MAX 0.40 | |
| 逆電流 Reverse Current | I_R | $V_R = V_{RM}$, パルス測定 Pulse measurement | MAX 10 | mA |
| 接合容量 Junction Capacitance | C_j | $f = 1MHz, V_R = 10V$ | TYP 300 | pF |
| 熱抵抗 Thermal Resistance | θ_{jI} | 接合部・リード間 Junction to lead | MAX 24 | $^\circ C/W$ |
| | θ_{ja} | 接合部・周囲間 Junction to ambient | アルミナ基板実装 On alumina substrate | |
| プリント基板実装 On glass-epoxy substrate | | | MAX 120 | |

■特性図 CHARACTERISTIC DIAGRAMS



* Sine waveは50Hzで測定しています。
 * 50Hz sine wave is used for measurements.
 * 半導体製品の特性は一般的にバラツキを持っています。
 * Typical is statistical average of the device's ability.
 * Semiconductor products generally have characteristic variation.
 * Typical is a statistical average of the device's ability.