



Micro Commercial Components



Micro Commercial Components
20736 Marilla Street Chatsworth
CA 91311
Phone: (818) 701-4933
Fax: (818) 701-4939

MBR2020CT THRU MBR20100CT

20 Amp Schottky Barrier Rectifier 20 to 100 Volts

Features

- Meatl of Silicon Rectifier, Majority Conduction
- Guard ring for transient protection
- High Current Capability, High Efficiency
- Low Forward Voltage Drop
- Marking : type number
- Halogen free available upon request by adding suffix "-HF"
- Lead Free Finish/RoHS Compliant(Note 1) ("P" Suffix designates RoHS Compliant. See ordering information)
- Epoxy meets UL 94 V-0 flammability rating
- Moisture Sensitivity Level 1

Maximum Ratings

- Mounting Torque: 5 in-lbs Maximum
- Operating Temperature: -55°C to +150°C
- Storage Temperature: -55°C to +150°C

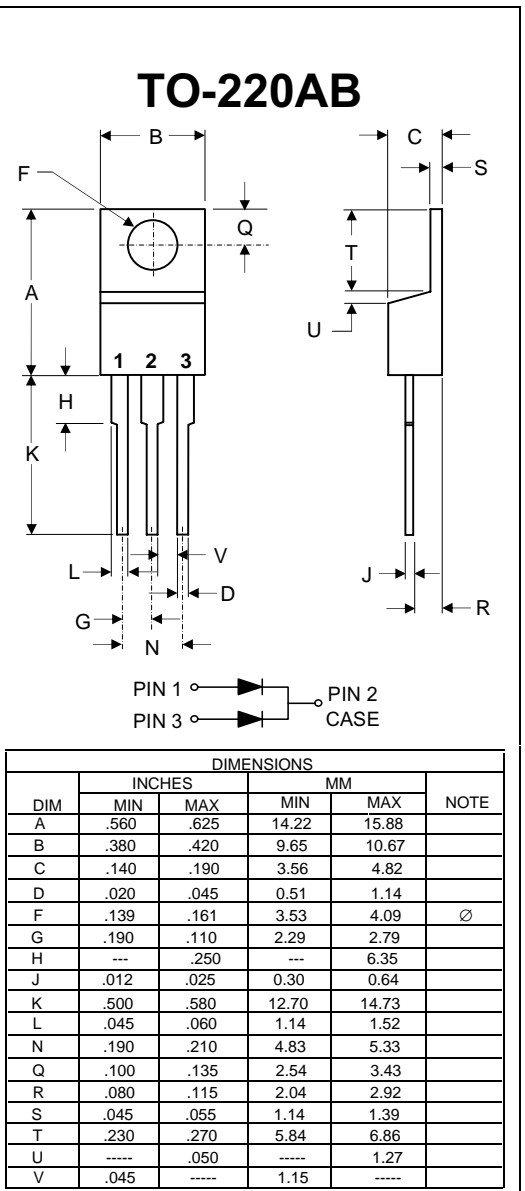
MCC Catalog Number	Maximum Recurrent Peak Reverse Voltage	Maximum RMS Voltage	Maximum DC Blocking Voltage
MBR2020CT	20V	14V	20V
MBR2030CT	30V	21V	30V
MBR2035CT	35V	24.5V	35V
MBR2040CT	40V	28V	40V
MBR2045CT	45V	31.5V	45V
MBR2060CT	60V	42V	60V
MBR2080CT	80V	56V	80V
MBR20100CT	100V	70V	100V

Electrical Characteristics @ 25°C Unless Otherwise Specified

Average Forward Current	$I_{F(AV)}$	20 A	$T_A = 120^\circ\text{C}$	
Peak Forward Surge Current	I_{FSM}	150A	8.3ms, half sine	
Maximum Instantaneous Forward Voltage	V_F	2020CT-2045CT 2060CT 2080CT-20100CT	$I_{FM} = 10A;$ $T_A = 25^\circ\text{C} *$	
		2020CT-2045CT 2060CT 2080CT-20100CT		$I_{FM} = 20A;$ $T_A = 25^\circ\text{C} *$
		2020CT-2045CT 2060CT 2080CT-20100CT		
		2020CT-2045CT 2060CT 2080CT-20100CT		
Maximum DC Reverse Current At Rated DC Blocking Voltage	I_R	2020CT~2045CT 2060CT~20100CT 2020CT~2045CT 2060CT~20100CT	$T_A = 25^\circ\text{C}$	
			$T_A = 125^\circ\text{C}$	

*Pulse Test: Pulse Width 300µsec, Duty Cycle 2%

Notes:1.High Temperature Solder Exemption Applied, see EU Directive Annex 7.



MBR2020CT thru MBR20100CT

Figure 1
Typical Forward Characteristics

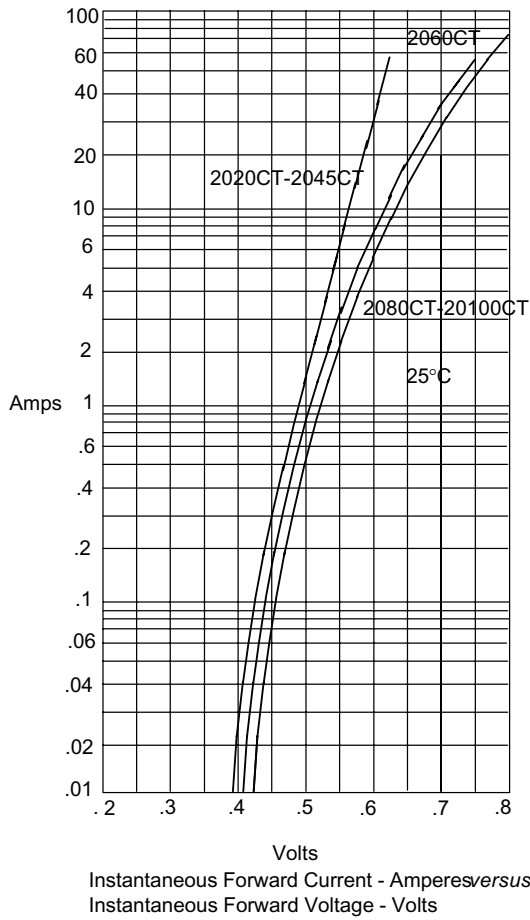


Figure 2
Micro Commercial Components
Typical Reverse Characteristics

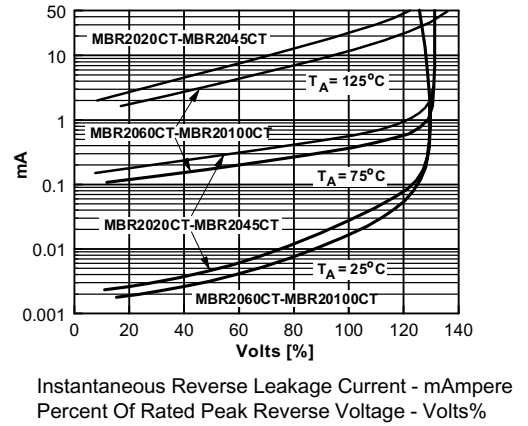


Figure 3
Forward Derating Curve

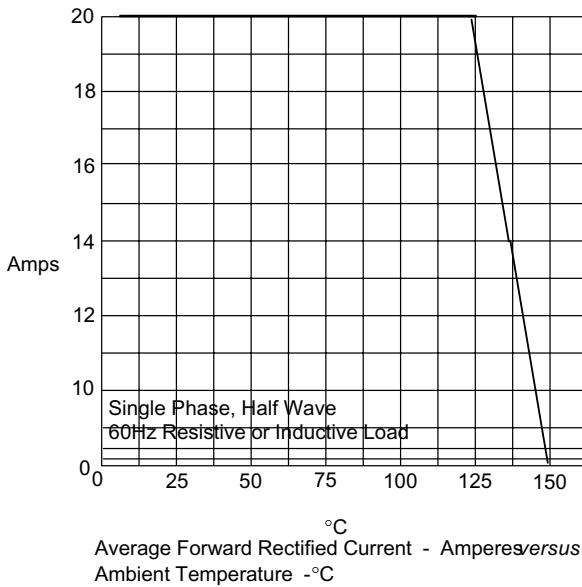
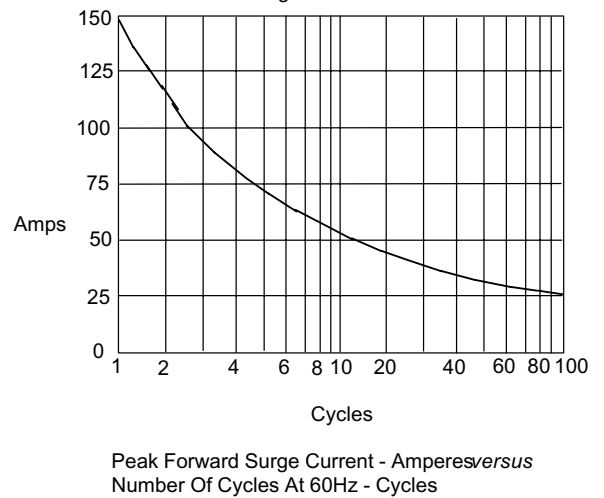


Figure 4
Peak Forward Surge Current





Micro Commercial Components

Ordering Information

Device	Packing
(Part Number)-BP	Bulk;1Kpcs/Box

Note : Adding "-HF" suffix for halogen free, eg. Part Number-BP-HF

IMPORTANT NOTICE

Micro Commercial Components Corp. reserves the right to make changes without further notice to any product herein to make corrections, modifications, enhancements, improvements, or other changes. **Micro Commercial Components Corp.** does not assume any liability arising out of the application or use of any product described herein; neither does it convey any license under its patent rights, nor the rights of others. The user of products in such applications shall assume all risks of such use and will agree to hold **Micro Commercial Components Corp.** and all the companies whose products are represented on our website, harmless against all damages.

LIFE SUPPORT

MCC's products are not authorized for use as critical components in life support devices or systems without the express written approval of Micro Commercial Components Corporation.

CUSTOMER AWARENESS

Counterfeiting of semiconductor parts is a growing problem in the industry. Micro Commercial Components (MCC) is taking strong measures to protect ourselves and our customers from the proliferation of counterfeit parts. MCC strongly encourages customers to purchase MCC parts either directly from MCC or from Authorized MCC Distributors who are listed by country on our web page cited below. Products customers buy either from MCC directly or from Authorized MCC Distributors are genuine parts, have full traceability, meet MCC's quality standards for handling and storage. **MCC will not provide any warranty coverage or other assistance for parts bought from Unauthorized Sources.** MCC is committed to combat this global problem and encourage our customers to do their part in stopping this practice by buying direct or from authorized distributors.

www.mccsemi.com