



Micro Commercial Components



Micro Commercial Components
 20736 Marilla Street Chatsworth
 CA 91311
 Phone: (818) 701-4933
 Fax: (818) 701-4939

SD103AW THRU SD103CW

Features

- Lead Free Finish/RoHS Compliant("P" Suffix designates RoHS Compliant. See ordering information)
- Guard Ring Protection
- Low Forward Voltage Drop
- Low Power Loss For High Efficiency
- Device Marking Code: SD103AW: S4
 SD103BW: S5
 SD103CW: S6

Maximum Ratings

- Epoxy meets UL 94 V-0 flammability rating
- Moisture Sensitivity Level 1
- Operating Temperature: -55°C to +125°C
- Storage Temperature: -55°C to +150°C
- Maximum Thermal Resistance; 300°C/W Junction to Ambient

| MCC Part Number | Maximum Recurrent Peak Reverse Voltage | Maximum RMS Voltage | Maximum DC Blocking Voltage |
|-----------------|----------------------------------------|---------------------|-----------------------------|
| SD103AW | 40V | 28V | 40V |
| SD103BW | 30V | 21V | 30V |
| SD103CW | 20V | 14V | 20V |

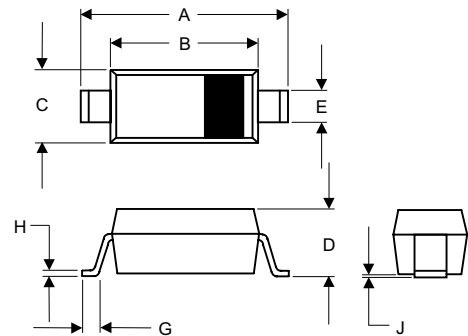
Electrical Characteristics @ 25°C Unless Otherwise Specified

| | | | |
|---------------------------------------------------------|-------------|----------------|--------------------------------------------------------------------|
| Average Forward Current | $I_{F(AV)}$ | 350mA | Note 1 |
| Peak Forward Surge Current | I_{FSM} | 1.5A | $t \leq 1.0s$ |
| Maximum Power Dissipation | P_D | 400mW | Note 1 |
| Maximum (Note2) Instantaneous Forward Voltage | V_F | 0.37V 0.60V | $I_{FM} = 20mA$ $I_{FM} = 200mA$ |
| Maximum DC Reverse Current At Rated DC Blocking Voltage | I_R | 5.0µA | $V_R = 30V$ (AW) $V_R = 20V$ (BW) $V_R = 10V$ (CW) |
| Typical Junction Capacitance | C_j | 50pF | Measured at 1.0MHz, $V_R=0V$ |
| Typical Reverse Recovery Time | t_{rr} | 10ns | $I_F = I_R = 200mA$ $I_{rr} = 0.1 \times I_R$ $R_L = 100\Omega$ |

Note: 1. Valid provided that electrodes are kept at ambient Temperature
 2. Pulse test: Pulse width 300 µsec, Duty cycle 2%

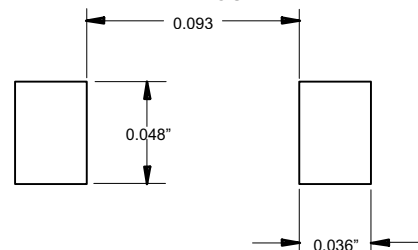
400mW Small Signal Schottky Diode 20 to 40 Volts

SOD-123



| DIM | INCHES | | MM | | NOTE |
|-----|--------|------|------|------|------|
| | MIN | MAX | MIN | MAX | |
| A | .140 | .152 | 3.55 | 3.85 | |
| B | .100 | .112 | 2.55 | 2.85 | |
| C | .055 | .071 | 1.40 | 1.80 | |
| D | --- | .053 | --- | 1.35 | |
| E | .012 | .031 | 0.30 | 0.78 | |
| G | .006 | --- | 0.15 | --- | |
| H | --- | .010 | --- | 0.25 | |
| J | --- | .006 | --- | 0.15 | |

SUGGESTED SOLDER PAD LAYOUT



SD103AW thru SD103CW

Figure 1
Typical Forward Characteristics

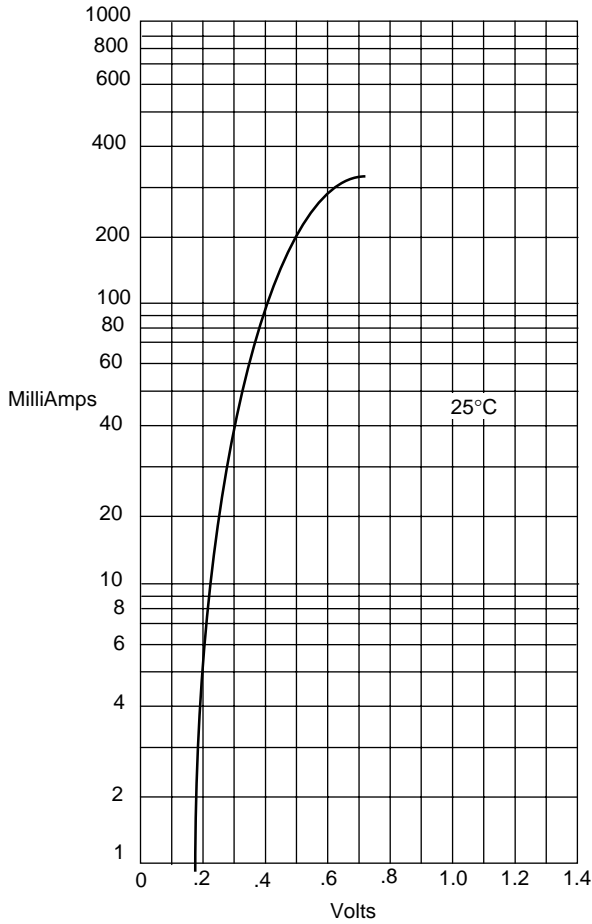


Figure 2
Typical Junction Capacitance

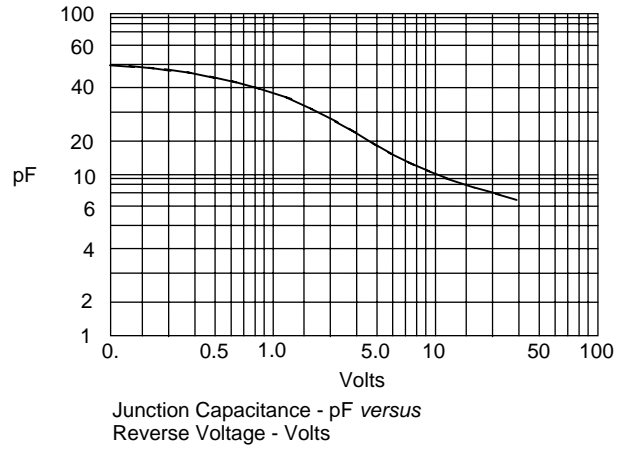
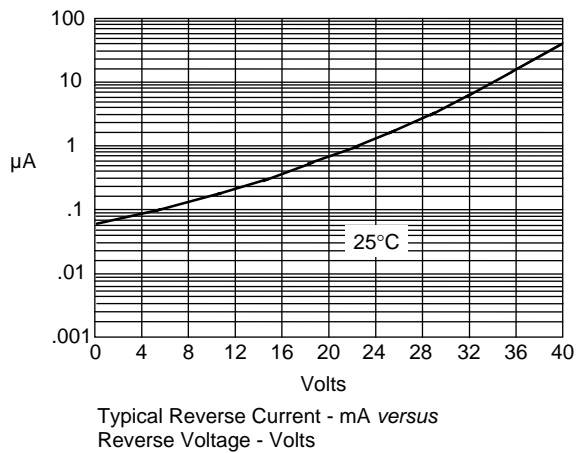


Figure 3
Typical Reverse Characteristics





Micro Commercial Components

Ordering Information :

| Device | Packing |
|----------------|-----------------------|
| Part Number-TP | Tape&Reel: 3Kpcs/Reel |

*****IMPORTANT NOTICE*****

Micro Commercial Components Corp. reserves the right to make changes without further notice to any product herein to make corrections, modifications , enhancements , improvements , or other changes . **Micro Commercial Components Corp .** does not assume any liability arising out of the application or use of any product described herein; neither does it convey any license under its patent rights ,nor the rights of others . The user of products in such applications shall assume all risks of such use and will agree to hold **Micro Commercial Components Corp .** and all the companies whose products are represented on our website, harmless against all damages.

*****LIFE SUPPORT*****

MCC's products are not authorized for use as critical components in life support devices or systems without the express written approval of Micro Commercial Components Corporation.

*****CUSTOMER AWARENESS*****

Counterfeiting of semiconductor parts is a growing problem in the industry. Micro Commercial Components (MCC) is taking strong measures to protect ourselves and our customers from the proliferation of counterfeit parts. MCC strongly encourages customers to purchase MCC parts either directly from MCC or from Authorized MCC Distributors who are listed by country on our web page cited below. Products customers buy either from MCC directly or from Authorized MCC Distributors are genuine parts, have full traceability, meet MCC's quality standards for handling and storage. **MCC will not provide any warranty coverage or other assistance for parts bought from Unauthorized Sources.** MCC is committed to combat this global problem and encourage our customers to do their part in stopping this practice by buying direct or from authorized distributors.