



Micro Commercial Components



Micro Commercial Components
 20736 Marilla Street Chatsworth
 CA 91311
 Phone: (818) 701-4933
 Fax: (818) 701-4939

SD107WS

Schottky Diodes

Features

- Low turn-on voltage
- Fast switching
- Microminiature plastic package
- This device is protected by a PN junction guard ring against excessive voltage, such as electrostatic discharge.
- Lead Free Finish/RoHS Compliant("P" Suffix designates RoHS Compliant. See ordering information)

Maximum Ratings

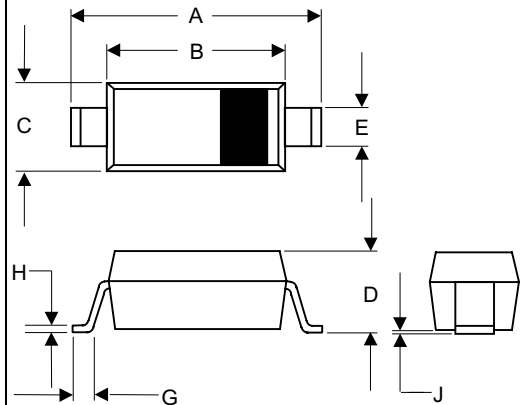
- Case: SOD-323 plastic case
- Operating Temperature: -55°C to +150°C
- Storage Temperature: -55°C to +150°C
- Thermal Resistance; 500°C/W Junction To Ambient
- Marking Code: SG
- Epoxy meets UL 94 V-0 flammability rating
- Moisture Sensitivity Level 1

Electrical Characteristics @ 25°C Unless Otherwise Specified

Continuous Reverse Voltage	V _R	30V	
Forward Current	I _F	100mA	
Forward Surge Current	I _{FSM}	0.75A	tp=10ms
Minimum Reverse Breakdown Voltage	V _{BR}	30V	I _R =100uA
Maximum Leakage Current	I _R	1000nA	V _R =25V
Maximum Forward Voltage	V _F	550mV	I _F =50mA
		800mV	I _F =100mA
Typical Forward Voltage		300mV	I _F =2.0mA
		360mV	I _F =15mA
		470mV	I _F =50mA
		580mV	I _F =100mA
Maximum Junction Capacitance	C _{TOT}	7.0pF	Measured at f=1.0MHz V _R =10V
Power Dissipation	P _{TOT}	250mW ¹⁾	T _C =25°C

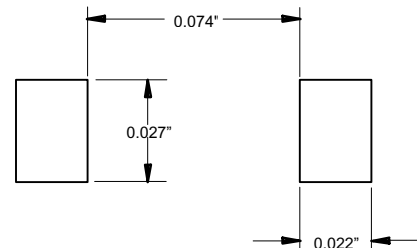
Notes: 1. Valid provided that electrodes are kept at ambient temperature

SOD-323



DIM	DIMENSIONS				NOTE
	INCHES		MM		
	MIN	MAX	MIN	MAX	
A	.090	.107	2.30	2.70	
B	.063	.071	1.60	1.80	
C	.045	.053	1.15	1.35	
D	.031	.045	0.80	1.15	
E	.010	.016	0.25	0.40	
G	.004	.018	0.10	0.45	
H	.004	.010	0.10	0.25	
J	-----	.006	-----	0.15	

SUGGESTED SOLDER PAD LAYOUT





Micro Commercial Components

Ordering Information :

Device	Packing
Part Number-TP	Tape&Reel: 3Kpcs/Reel

*****IMPORTANT NOTICE*****

Micro Commercial Components Corp. reserves the right to make changes without further notice to any product herein to make corrections, modifications , enhancements , improvements , or other changes . **Micro Commercial Components Corp .** does not assume any liability arising out of the application or use of any product described herein; neither does it convey any license under its patent rights ,nor the rights of others . The user of products in such applications shall assume all risks of such use and will agree to hold **Micro Commercial Components Corp .** and all the companies whose products are represented on our website, harmless against all damages.

*****LIFE SUPPORT*****

MCC's products are not authorized for use as critical components in life support devices or systems without the express written approval of Micro Commercial Components Corporation.

*****CUSTOMER AWARENESS*****

Counterfeiting of semiconductor parts is a growing problem in the industry. Micro Commercial Components (MCC) is taking strong measures to protect ourselves and our customers from the proliferation of counterfeit parts. MCC strongly encourages customers to purchase MCC parts either directly from MCC or from Authorized MCC Distributors who are listed by country on our web page cited below. Products customers buy either from MCC directly or from Authorized MCC Distributors are genuine parts, have full traceability, meet MCC's quality standards for handling and storage. **MCC will not provide any warranty coverage or other assistance for parts bought from Unauthorized Sources.** MCC is committed to combat this global problem and encourage our customers to do their part in stopping this practice by buying direct or from authorized distributors.