



Micro Commercial Components

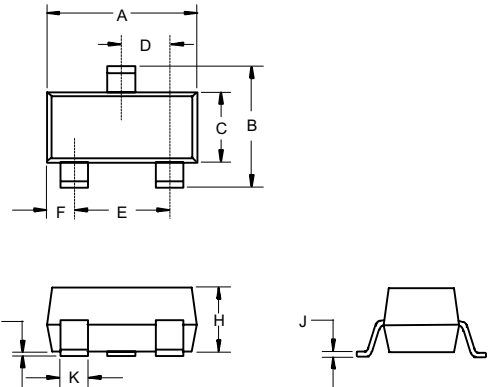


Micro Commercial Components
20736 Marilla Street Chatsworth
Chatsworth, CA 91311
Phone: (818) 701-4933
Fax: (818) 701-4939

SM22

12Volts
ESD Protection
Devices

SOT-23



Features

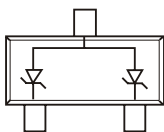
- Halogen free available upon request by adding suffix "-HF"
For sensitive ESD protection
Stand-off Voltage:22V
Low leakage
ESD rating of class 3(>20KV)per Human Body Mode
Fast response ,response time less than 1ns.
Lead Free Finish/RoHS Compliant ("P" Suffix designates RoHS Compliant. See ordering information)
Epoxy meets UL 94 V-0 flammability rating
Moisture Sensitivity Level 1

Maximum Ratings

- Operating Junction Temperature: -55°C to +125°C
Storage Temperature: -55°C to +150°C

Table with 5 columns: Parameter, Symbol, Limits, unit. Rows include IEC61000-4-2(ESD) Air Contact, ESD Voltage per human body mode, Power Dissipation, and Lead Solder Temperature-Maximum.

Pin Configuration-Top View



Dimension table with columns: DIM, INCHES (MIN, MAX), MM (MIN, MAX), and NOTE. Lists dimensions A through K with their respective min and max values in inches and mm.

